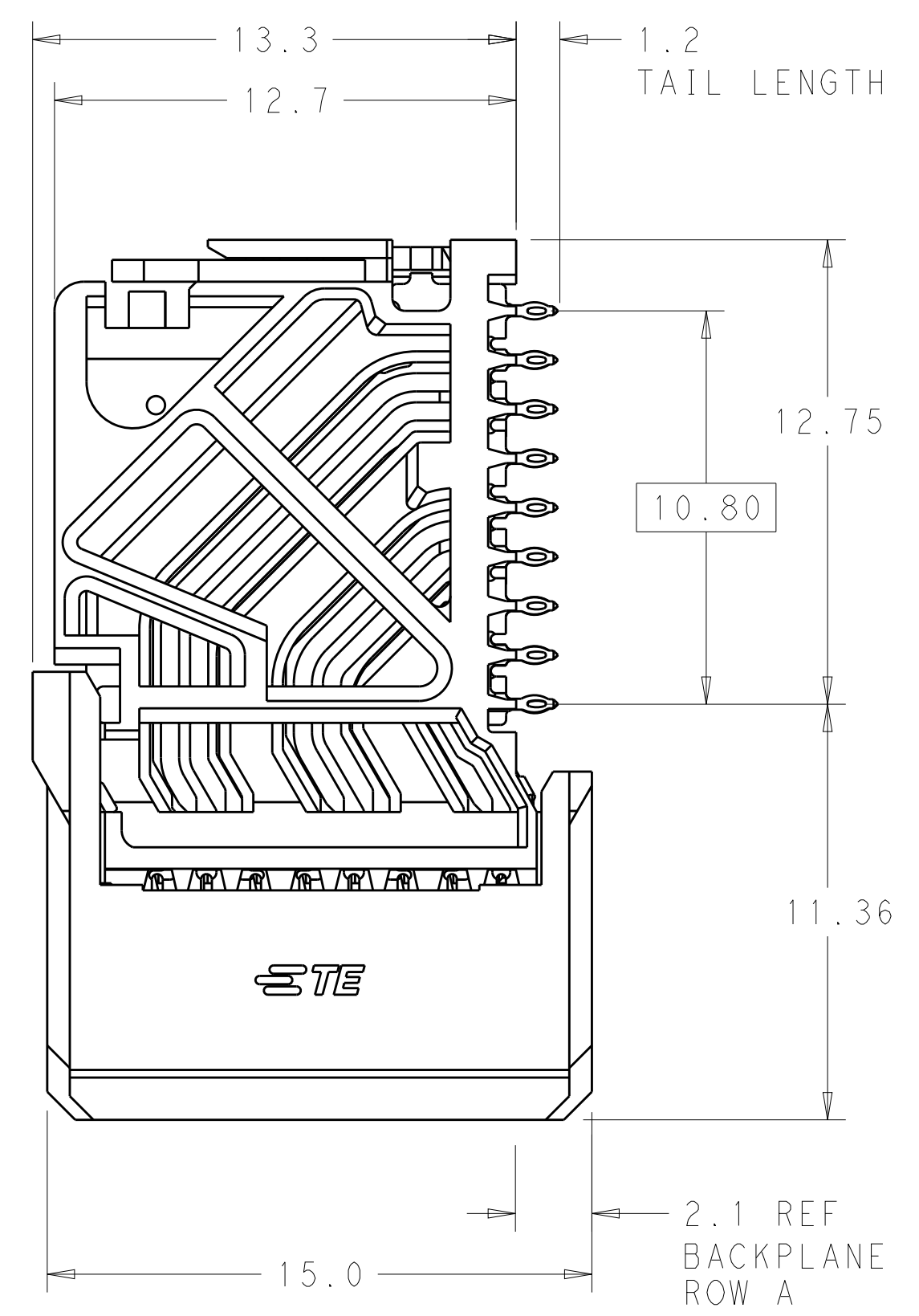
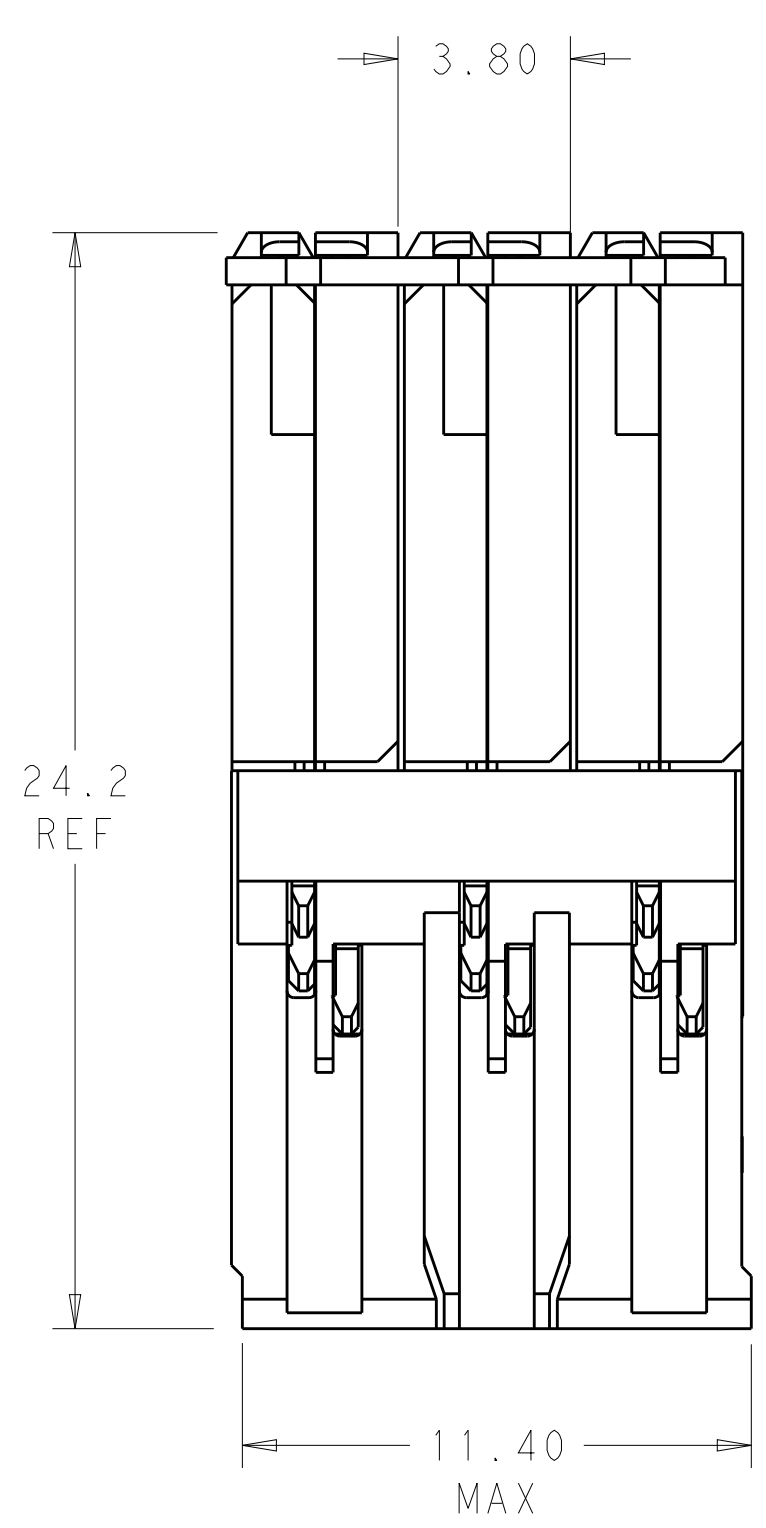
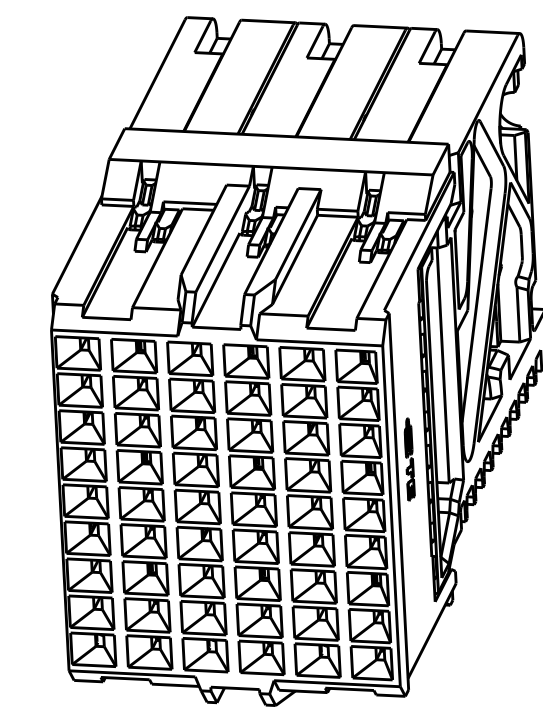


LOC		DIST		REVISIONS			
P	LTN	DESCRIPTION	DATE	DMN	APVD		
C1		REVISED PER ECO-14-018035	11MAR2015	AP	DD		

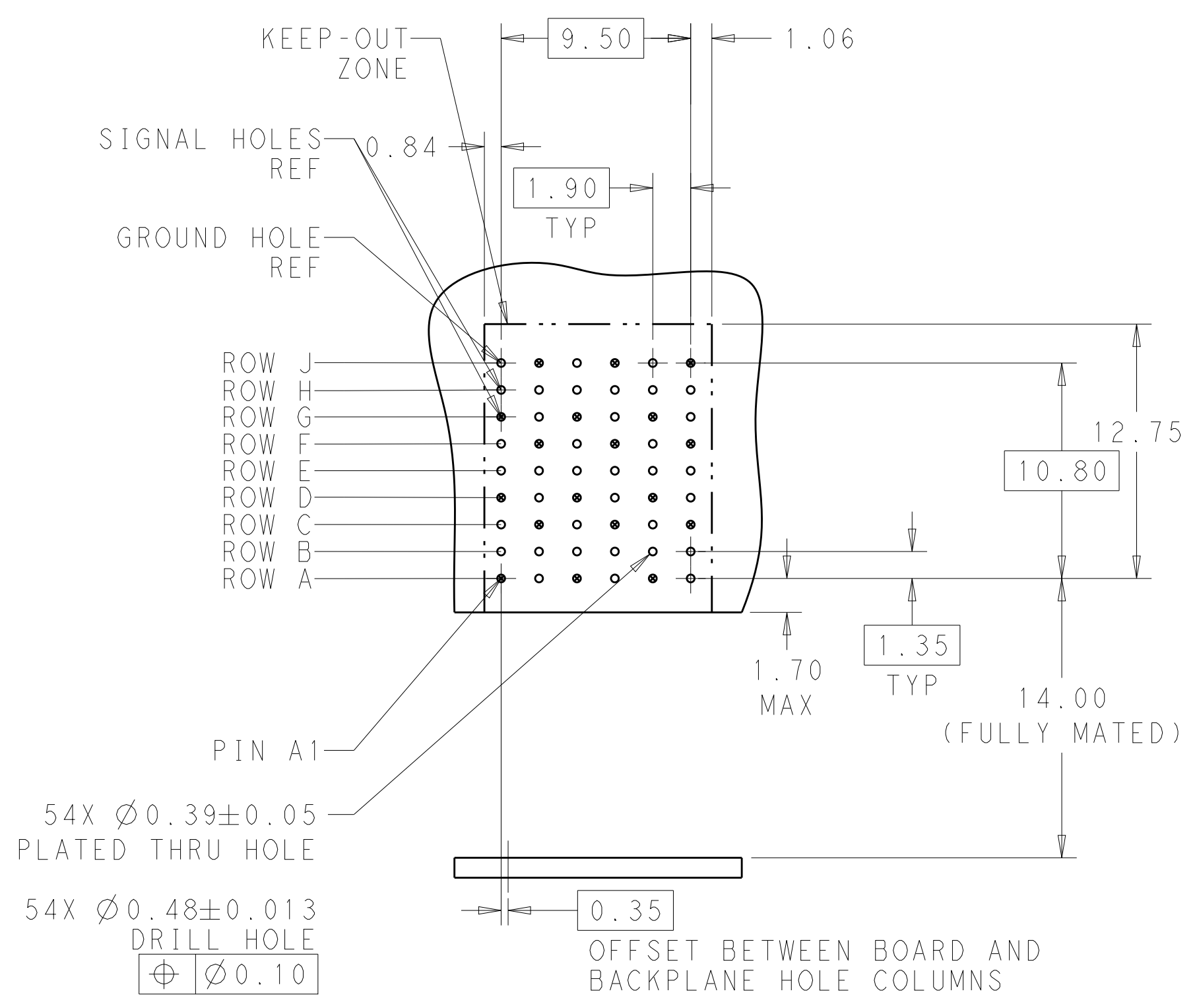
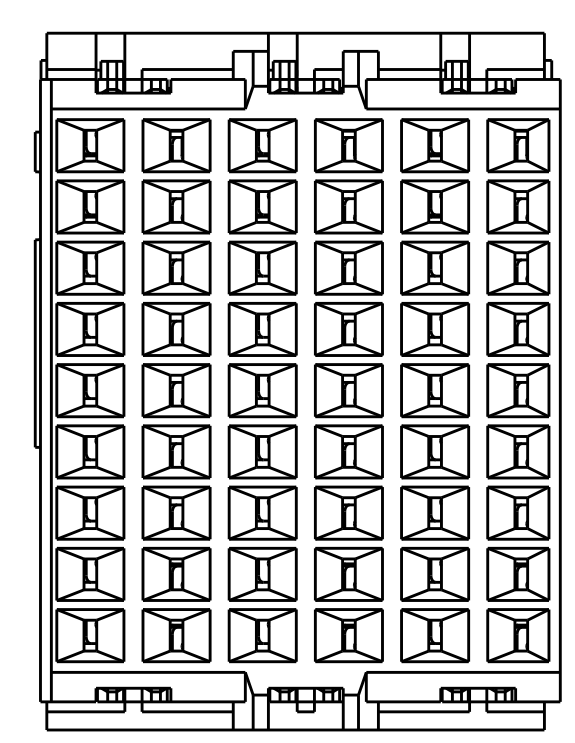


⚠ MATERIAL:
 HOUSING: LCP, GLASS FILLED, UL94V-0.
 TERMINALS: HIGH PERFORMANCE COPPER ALLOY.

⚠ FINISH:
 30μ" SELECTIVE GOLD IN CONTACT AREA. SELECTIVE TIN
 ON PCB TAILS, NICKEL OVERALL.



SCALE 4:1



RECOMMENDED PCB LAYOUT
 MIN BOARD THICKNESS 1.0

NONE	⚠	2132500-1
KEY POSITION	FINISH	PART NUMBER

THIS DRAWING IS A CONTROLLED DOCUMENT.		DMN Z. MILLER 23SEP2010	NAME	
DIMENSIONS:		CHK D. DIXON 23SEP2010	IMPACT, 3 PAIR, DAUGHTERCARD 6 COLUMN, UNGUIDED, SIGNAL MODULE, 0.39 EYELET	
TOLERANCES UNLESS OTHERWISE SPECIFIED:		APVD D. DIXON 23SEP2010	SIZE CAGE CODE DRAWING NO RESTRICTED TO	
mm		PRODUCT SPEC	A100779C=2132500	
0 PLC ±		APPLICATION SPEC	SCALE 6:1 SHEET 1 OF 1 REV C1	
1 PLC ±0.2		WEIGHT		
2 PLC ±0.10		CUSTOMER DRAWING		
3 PLC ±				
4 PLC ±				
ANGLES ±				
FINISH SEE TABLE				