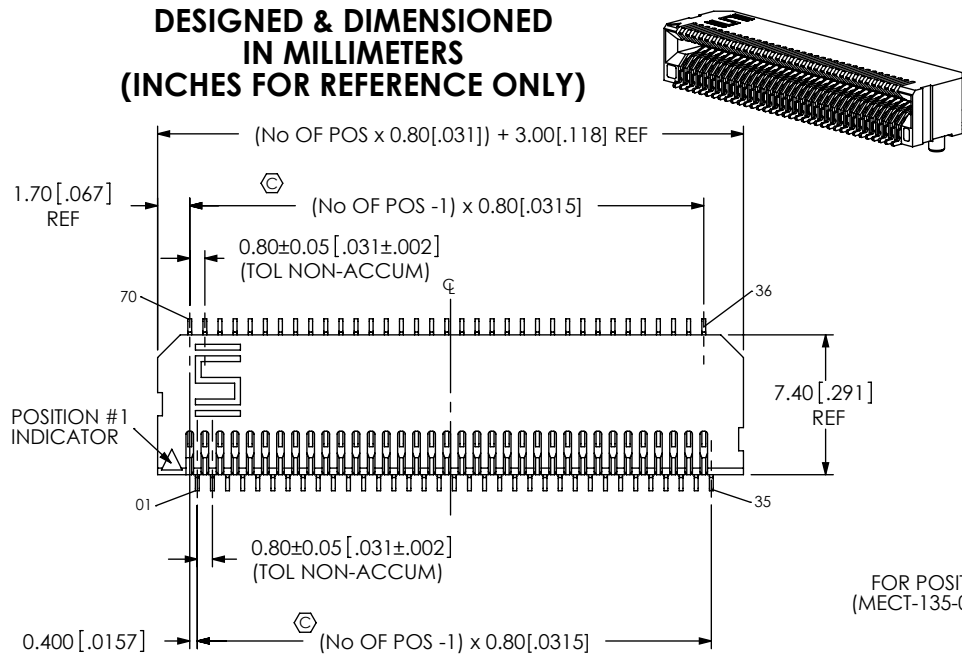


DO NOT SCALE FROM THIS PRINT

**DESIGNED & DIMENSIONED
IN MILLIMETERS
(INCHES FOR REFERENCE ONLY)**



MECT-1XX-XX-XX-D-RAX-XX

No OF POSITIONS
-10, -15, -20, -35
(PER ROW)

CARD THICKNESS
-01: 1mm [.039] THICK CARD
(USE MECT-XX-01-D-RAX)

PLATING
-M: SELECTIVE MEDIUM GOLD
(USE C-173-XX-M & C-174-XX-M)
-S: SELECTIVE GOLD
(USE C-173-XX-S & C-174-XX-S)
-MM: SELECTIVE MEDIUM GOLD, MATTE
TIN TAIL (USE C-173-XX-M & C-174-XX-M)
-SM: SELECTIVE GOLD, MATTE TIN
TAIL (USE C-173-XX-S & C-174-XX-S)

OPTION
-TR: TAPE & REEL

TAIL OPTION
-RA1: STANDARD (SEE FIG. 1)
(USE MECT-XX-01-D-RA1,
C-173-01-X & C-174-04-X)
*-RA2: ELEVATED (SEE FIG. 2)
(USE MECT-XX-01-D-RA2,
C-173-02-X & C-174-02-X)

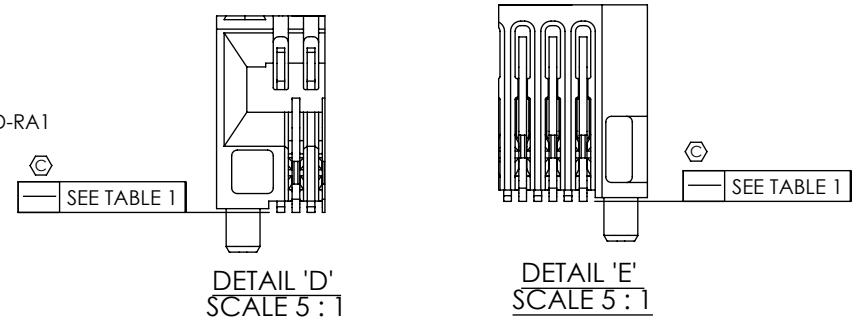
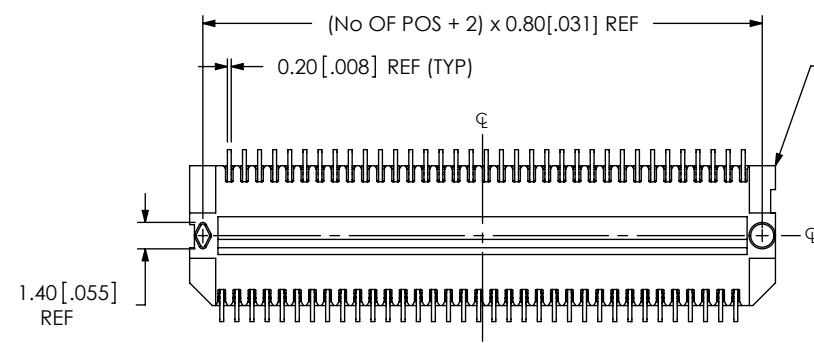
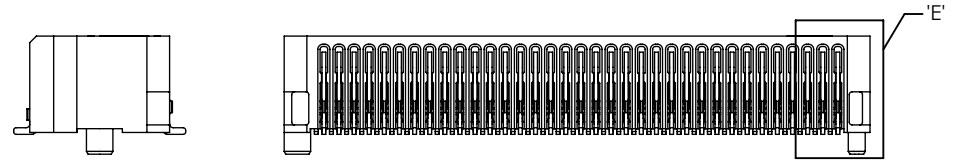
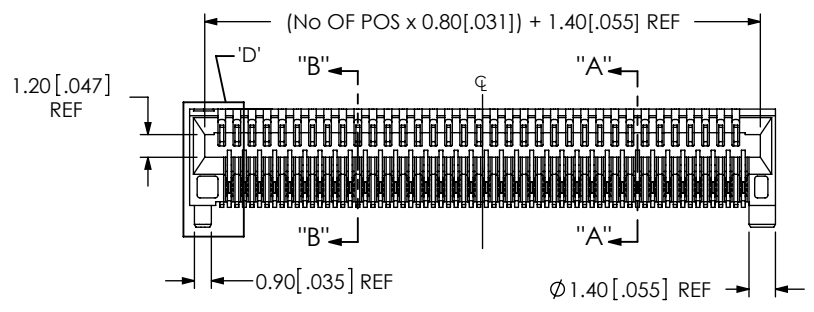
ROW SPECIFICATION
-D: DOUBLE
(USE MECT-XX-XX-D-RAX)

* = NOT TOOLED

TABLE 1

No OF POS	COPLANARITY	STRAIGHTNESS ROW 1	STRAIGHTNESS ROW 2
-10 THRU -35	0.102[.0040]	0.102[.0040]	0.102[.0040]
-40 & -50	0.152[.0060]	0.152[.0060]	0.152[.0060]

FIG 1
FOR POSITIONS -10, -20 & -35
(MECT-135-01-XX-D-RA1 SHOWN)



- NOTES:**
1. Ⓢ REPRESENTS A CRITICAL DIMENSION.
 2. MAXIMUM BURR ALLOWANCE: 0.381[.0015].
 3. MINIMUM PUSHOUT FORCE: .5 LB.

<p>UNLESS OTHERWISE SPECIFIED, DIMENSIONS ARE IN MILLIMETERS. TOLERANCES ARE:</p> <p>DECIMALS ANGLES</p> <p>.X: ±.3 [.01] 2°</p> <p>.XX: ±.13 [.005]</p> <p>.XXX: ±.051 [.0020]</p>	<p>PROPRIETARY NOTE</p> <p>THIS DOCUMENT CONTAINS INFORMATION CONFIDENTIAL AND PROPRIETARY TO SAMTEC, INC. AND SHALL NOT BE REPRODUCED OR TRANSFERRED TO OTHER DOCUMENTS OR DISCLOSED TO OTHERS OR USED FOR ANY PURPOSE OTHER THAN THAT WHICH IT WAS OBTAINED WITHOUT THE EXPRESSED WRITTEN CONSENT OF SAMTEC, INC.</p>	<p>samtec</p> <p>520 PARK EAST BLVD, NEW ALBANY, IN 47150 PHONE: 812-944-6733 FAX: 812-948-5047 e-Mail: info@SAMTEC.com code: 55322</p>	
		<p>DESCRIPTION: 0.8mm [.031"] RIGHT ANGLE EDGE CARD ASSEMBLY</p> <p>DWG. NO. MECT-1XX-XX-XX-D-RAX-XX</p>	
<p>MATERIAL: DO NOT SCALE DRAWING SHEET SCALE: 2.5:1</p> <p>INSULATOR: LCP, COLOR: BLACK CONTACT: PHOS BRONZE</p>		<p>BY: KEVIN B 10/18/01 SHEET 1 OF 3</p>	

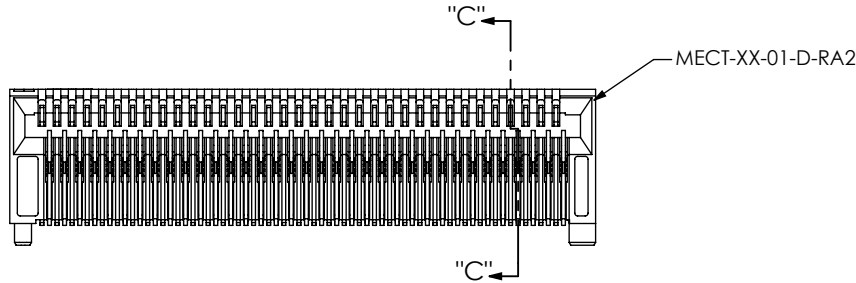
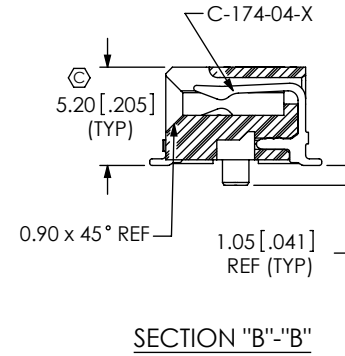
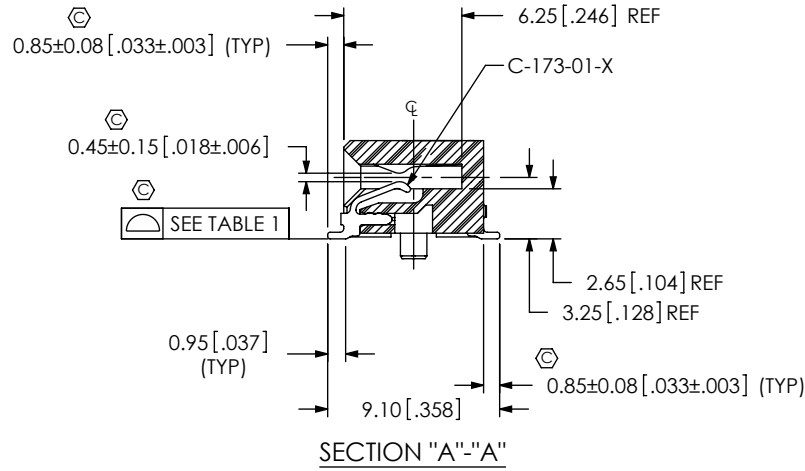
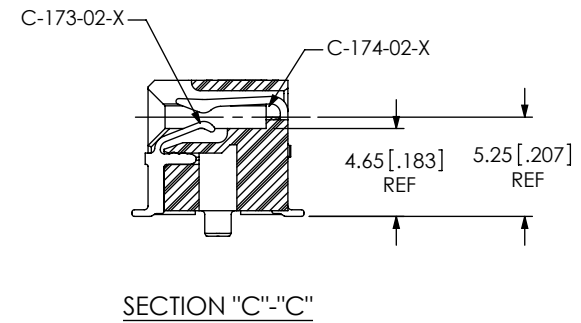


FIG 2
-RA2: ELEVATED OPTION
(SAME AS FIG 2, UNLESS OTHERWISE STATED)
(MECT-135-01-XX-D-RA2 SHOWN)
* = NOT TOOLED



F:\DWG\MISC\MKTG\MECT-1XX-XX-XX-D-RAX-XX-MKT.SLDDRW

PROPRIETARY NOTE
THIS DOCUMENT CONTAINS INFORMATION CONFIDENTIAL AND PROPRIETARY TO SAMTEC, INC. AND SHALL NOT BE REPRODUCED OR TRANSFERRED TO OTHER DOCUMENTS OR DISCLOSED TO OTHERS OR USED FOR ANY PURPOSE OTHER THAN THAT WHICH IT WAS OBTAINED WITHOUT THE EXPRESSED WRITTEN CONSENT OF SAMTEC, INC.

DO NOT SCALE DRAWING

SHEET SCALE: 1:0.4

samtec

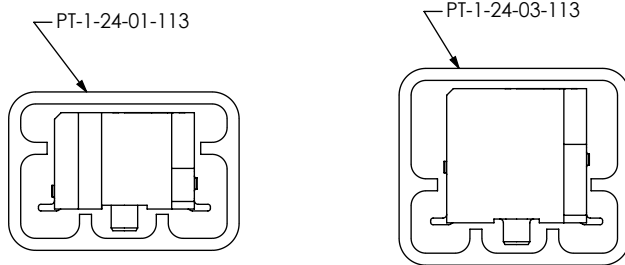
520 PARK EAST BLVD, NEW ALBANY, IN 47150
PHONE: 812-944-6733 FAX: 812-948-5047
e-Mail: info@SAMTEC.com code: 55322

DESCRIPTION:
0.8mm [.031"] RIGHT ANGLE EDGE CARD ASSEMBLY

DWG. NO.
MECT-1XX-XX-XX-D-RAX-XX

BY: KEVIN B 10/18/01 SHEET 2 OF 3

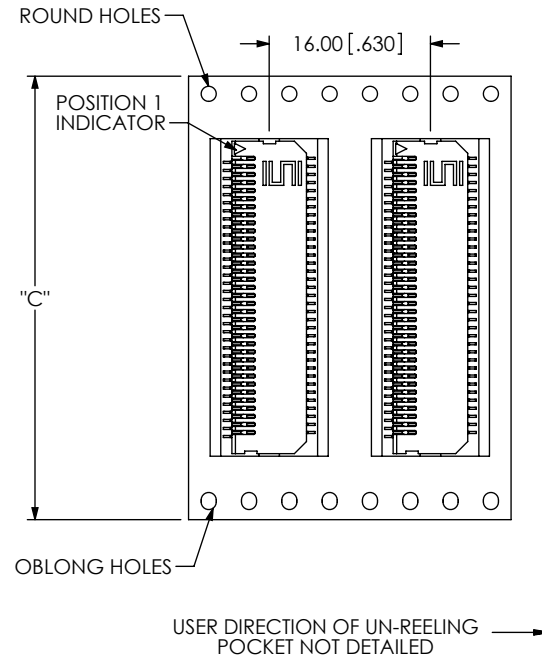
PACKAGING VIEWS
(LOAD PARTS WITH POSITION #1 INDICATOR
IN SAME DIRECTION AS ARROW ON TUBE)



TAIL OPTION	TUBE	PLUG (2 PER TUBE)
-RA1	PT-1-24-01-113	TP-03
* -RA2	PT-1-24-03-113	TP-03

* = NOT TOOLED

-TR OPTION




POSITION	"C"
-10	24.00 [.944]
-15	32.00 [1.260]
-20	32.00 [1.260]
-35	44.00 [1.732]

PROPRIETARY NOTE
THIS DOCUMENT CONTAINS INFORMATION
CONFIDENTIAL AND PROPRIETARY TO
SAMTEC, INC. AND SHALL NOT BE REPRODUCED
OR TRANSFERRED TO OTHER DOCUMENTS OR
DISCLOSED TO OTHERS OR USED FOR ANY
PURPOSE OTHER THAN THAT WHICH IT WAS
OBTAINED WITHOUT THE EXPRESSED WRITTEN
CONSENT OF SAMTEC, INC.

DO NOT SCALE DRAWING

SHEET SCALE: 1:0.4



520 PARK EAST BLVD, NEW ALBANY, IN 47150
PHONE: 812-944-6733 FAX: 812-948-5047
e-Mail: info@SAMTEC.com code: 55322

DESCRIPTION:
0.8mm [.031"] RIGHT ANGLE EDGE CARD ASSEMBLY

DWG. NO.
MECT-1XX-XX-XX-D-RAX-XX

BY: KEVIN B 10/18/01 SHEET 3 OF 3