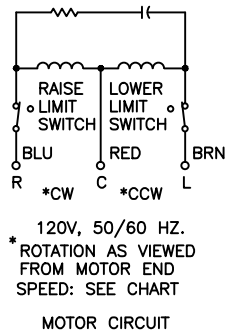
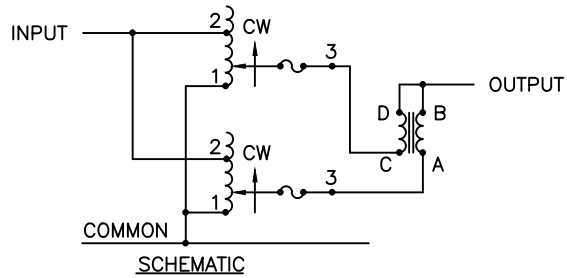
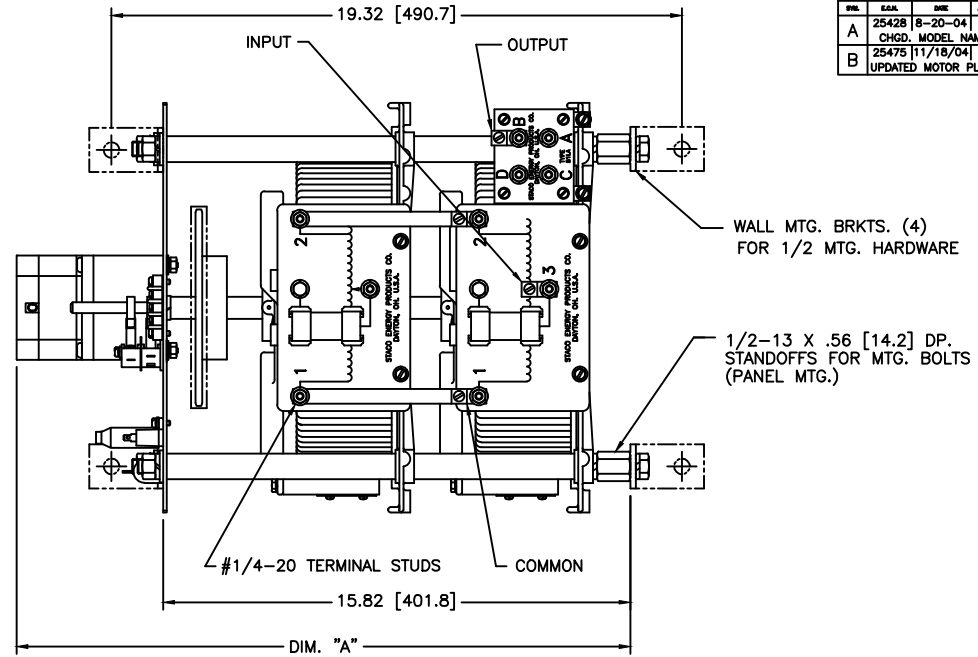
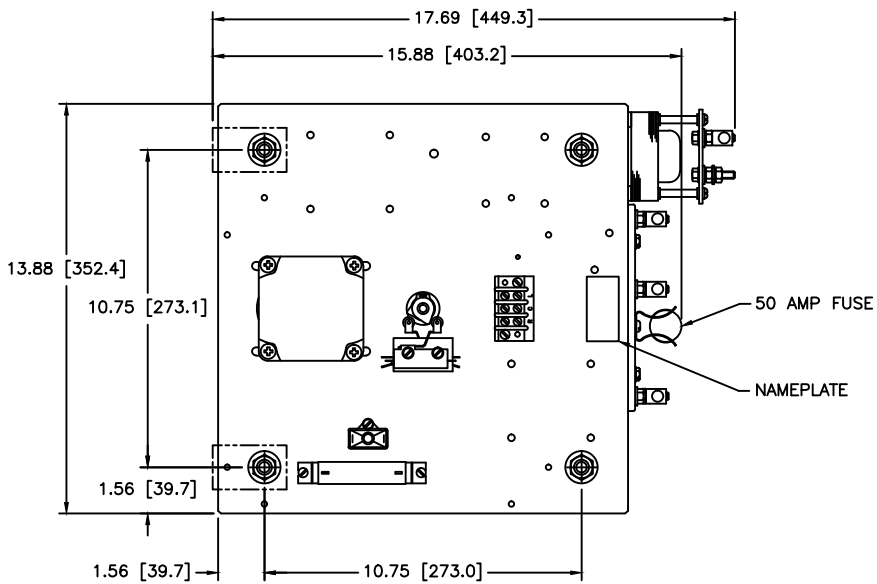


REV.	REV. NO.	031-6205		
REVISIONS				
REV.	CAUSE	DATE	APPROV.	
A	25428	8-20-04		
	CHGD. MODEL NAME			
B	25475	11/18/04		
	UPDATED MOTOR PLATE			



SPEED (SECONDS)	MODEL NUMBER	DIM. "A"
5	5M5011-2P	20.38 [517.6]
15	15M5011-2P	20.78 [527.8]
30	30M5011-2P	20.78 [527.8]
60	60M5011-2P	20.78 [527.8]

WIRING	INPUT		OUTPUT			SHAFT ROTATION FOR INCREASE VOLTAGE	TERMINAL CONNECTIONS FOR INCREASING VOLTAGE AS VIEWED FROM ROTOR END	
	VOLTS	HERTZ	VOLTS	MAX. AMPS	MAX. KVA		INPUT	OUTPUT
SINGLE PHASE PARALLEL	120	50/60	0-140	100	14	CW	1-2	1-B

UNLESS OTHERWISE SPECIFIED, DIMENSIONS ARE IN INCHES AND DECIMALS THEREOF.	ALL DIMENSIONS ARE TO CENTER UNLESS OTHERWISE SPECIFIED.	THIS DRAWING IS THE PROPERTY OF STASS ENERGY PRODUCTS CO. AND IS NOT TO BE REPRODUCED OR TRANSMITTED IN ANY FORM OR BY ANY MEANS, ELECTRONIC OR MECHANICAL, INCLUDING PHOTOCOPYING, RECORDING, OR BY ANY INFORMATION STORAGE AND RETRIEVAL SYSTEM, WITHOUT THE WRITTEN PERMISSION OF STASS ENERGY PRODUCTS CO.	DESIGNED BY TIM RAU	DATE 10/15/97	FIRST USED ON DATE 157 LBS.	QTY. USED DATE 83008	REV. NO. DATE D	REV. NO. DATE 031-6205
--	--	--	------------------------	------------------	-----------------------------------	----------------------------	-----------------------	------------------------------

