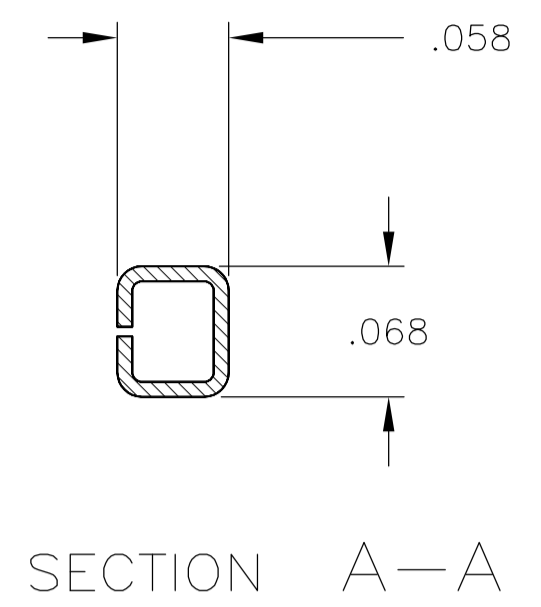
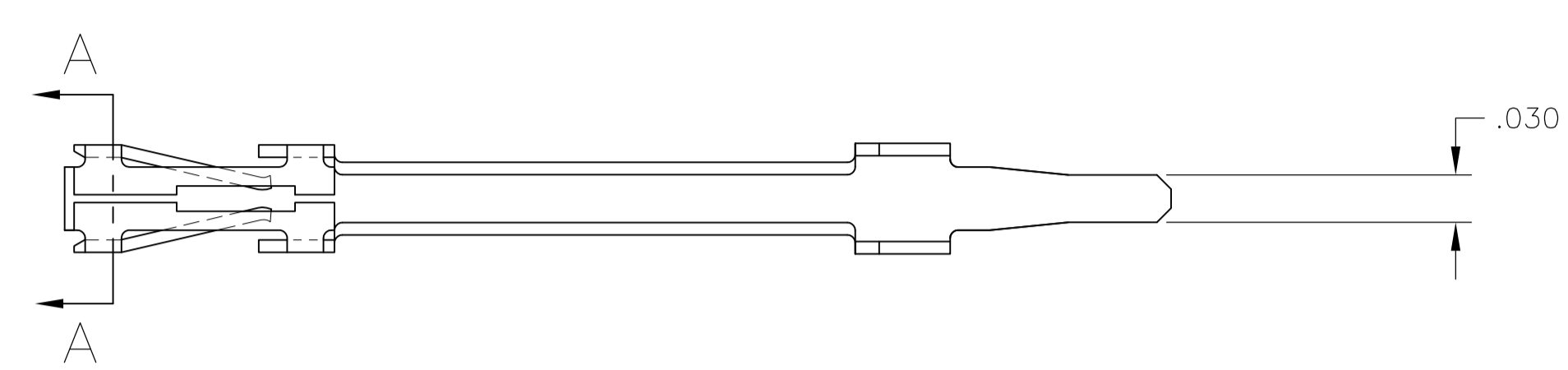
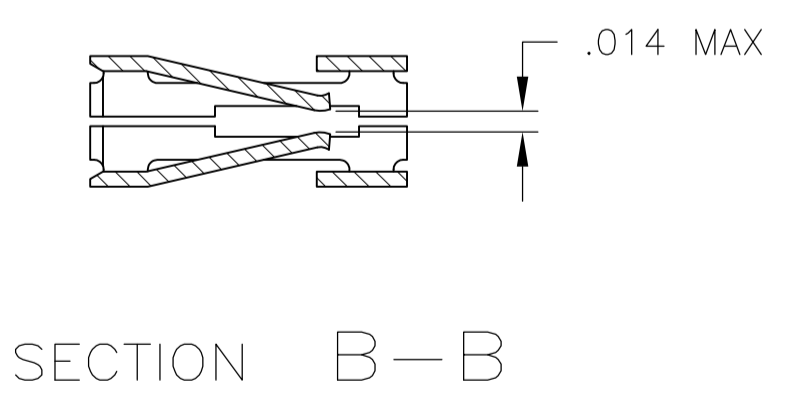
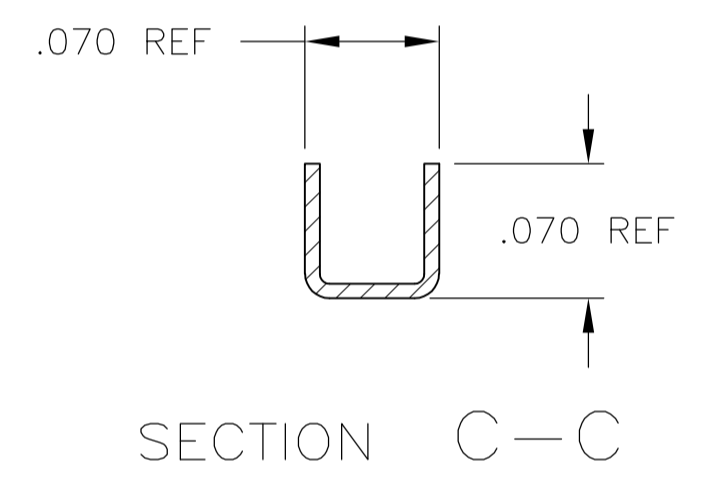
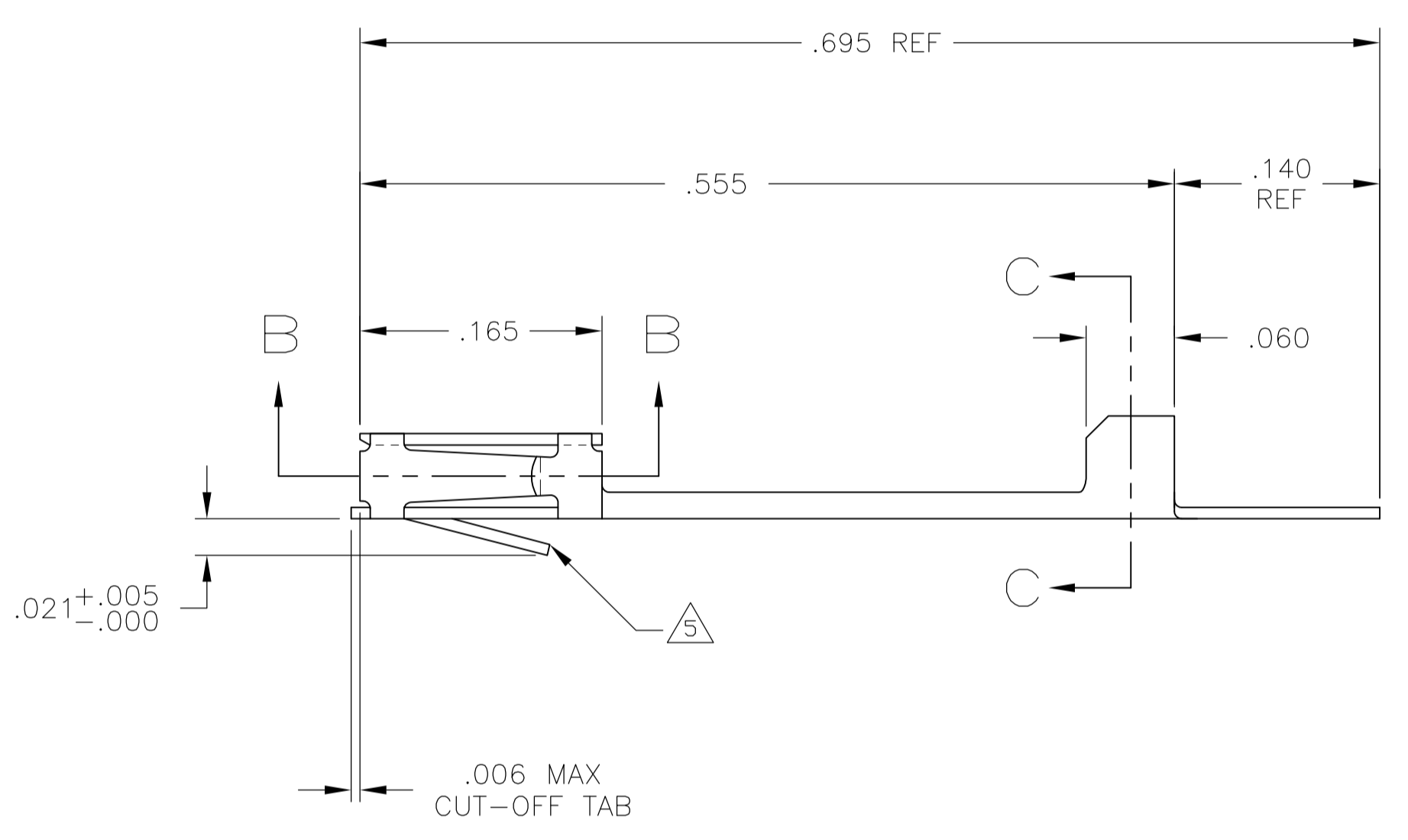


LOC		DIST		REVISIONS			
P	LTR	DESCRIPTION	DATE	DMN	APVD		
D1	ECO-06-002583		19APR2006	RB	JO		
D2	REVISED PER ECO-09-020774		25AUG09	KK	AEG		



- 1 GOLD FLASH ENTIRE RECEPTACLE END, .000015 GOLD IN CONTACT AREA, .000100-.000200 BRIGHT TIN-LEAD ON P.C. TINE, ALL OVER .000050-.000100 NICKEL.
- 2 PRE-PLATED (HALT) .000080-.000160 TIN.
- 3 GOLD FLASH ENTIRE RECEPTACLE END, .000030 GOLD IN CONTACT AREA, .000100-.000200 BRIGHT TIN ON P.C. TINE, ALL OVER .000050-.000100 NICKEL.
- 4 GOLD FLASH ENTIRE RECEPTACLE END, .000050 GOLD IN CONTACT AREA, .000100-.000200 BRIGHT TIN-LEAD ON P.C. TINE, ALL OVER .000050-.000100 NICKEL.
- 5 GOLD FLASH ENTIRE RECEPTACLE END, .000015 GOLD IN CONTACT AREA, .000100-.000200 MATTE TIN ON LEAD, ALL OVER .000050-.000100 NICKEL.
- 6 GOLD FLASH ENTIRE RECEPTACLE END, .000030 GOLD IN CONTACT AREA, .000100-.000200 MATTE TIN ON LEAD, ALL OVER .000050-.000100 NICKEL.
- 7 ROHS 2002/95/EC COMPLIANT.
- 8 MATERIAL: Cu-Sn-P ALLOY #521, .008 THICK.
- 9 OBSOLETE PARTS: OBSOLETE CIS STREAMLINING PER D.RENAUD/D.SINISI



9/7	OBSOLETE	6	5-102437-3
9/7	OBSOLETE	5	5-102437-1
	OBSOLETE	4	102437-4
		3	102437-3
9	OBSOLETE	2	102437-2
		1	102437-1
		FINISH	PART NUMBER

THIS DRAWING IS A CONTROLLED DOCUMENT.

DIMENSIONS: INCHES	TOLERANCES UNLESS OTHERWISE SPECIFIED:	DIN R BROWN 19APR2006	APVD J OLSON 19APR2006	NAME J OLSON 19APR2006	TYCO ELECTRONICS	Tyco Electronics Corporation Harrisburg, PA 17105-3608
0 PLC ± -	1 PLC ± -	2 PLC ± -	3 PLC ± .005	4 PLC ± -	ANGLES ± -	SIZE A1
MATERIAL 8		FINISH SEE TABLE		WEIGHT -	CAGE CODE 00779	DRAWING NO. 102437
CUSTOMER DRAWING				SCALE 10:1	SHEET 1 OF 1	REV D2

CONTACT, MOD IV, RECEPTACLE, LOOSE PIECE