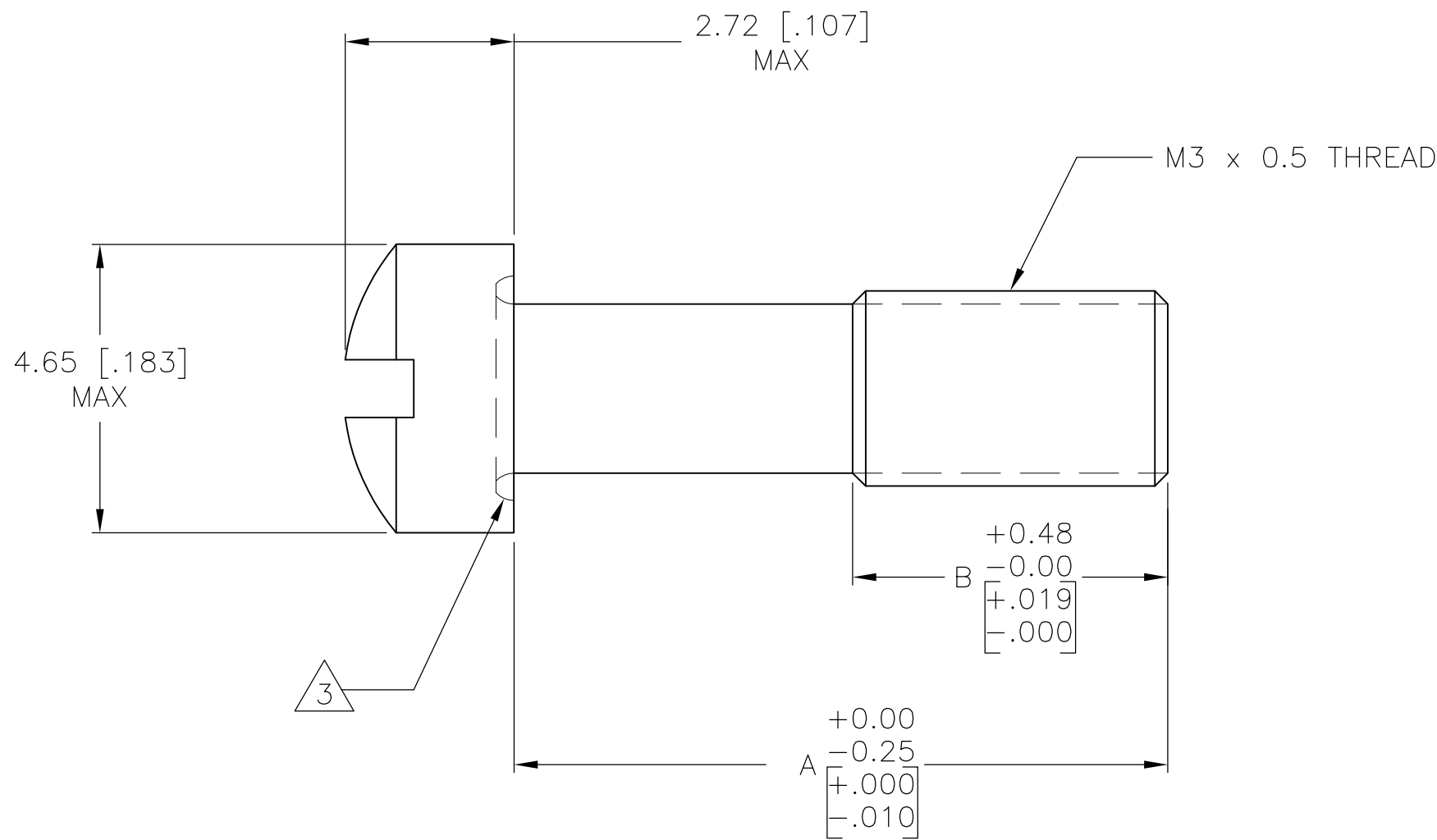


THIS DRAWING IS UNPUBLISHED. RELEASED FOR PUBLICATION  
 © COPYRIGHT BY TYCO ELECTRONICS CORPORATION. ALL RIGHTS RESERVED.

LOC	DIST	REVISIONS					
GP	00	P	LTR	DESCRIPTION	DATE	DWN	APVD
			01	REVISED PER ECO-07-007540	21JUN07	JDP	CWR

- ① ZINC PLATED .000200-.000400 THICK, YELLOW CHROMATE COATING.
- ② ZINC PLATED .000200-.000400 THICK, CLEAR CHROMATE COATING.
- ③ UNDERCUT MAY OR MAY NOT BE PRESENT IN THIS AREA.



5.08 [.200]	10.54 [.415]	②	5207880-6
2.54 [.100]	5.84 [.230]	①	5207880-2
B	A	FINISH	PART NUMBER

THIS DRAWING IS A CONTROLLED DOCUMENT.		DWN R.RICHARDSON 23JUN05	Tyco Electronics Corporation Harrisburg, PA 17105-3608															
DIMENSIONS: mm [INCHES]		CHK C.ROHDE 23JUN05	NAME															
TOLERANCES UNLESS OTHERWISE SPECIFIED:		APVD M.WALMSLEY 23JUN05	SCREW, FILLISTER HEAD, METRIC, AMPLIMITE															
<table border="0"> <tr><td>0 PLC</td><td>± -</td></tr> <tr><td>1 PLC</td><td>± -</td></tr> <tr><td>2 PLC</td><td>± -</td></tr> <tr><td>3 PLC</td><td>± -</td></tr> <tr><td>4 PLC</td><td>± -</td></tr> <tr><td>ANGLES</td><td>± -</td></tr> </table>		0 PLC	± -	1 PLC	± -	2 PLC	± -	3 PLC	± -	4 PLC	± -	ANGLES	± -	PRODUCT SPEC -	SIZE	CAGE CODE	DRAWING NO	RESTRICTED TO
0 PLC	± -																	
1 PLC	± -																	
2 PLC	± -																	
3 PLC	± -																	
4 PLC	± -																	
ANGLES	± -																	
MATERIAL COLD ROLLED STEEL	FINISH SEE TABLE	APPLICATION SPEC -	WEIGHT -	A300779	C-5207880	-												
CUSTOMER DRAWING			SCALE 10:1	SHEET 1 OF 1	REV 01													