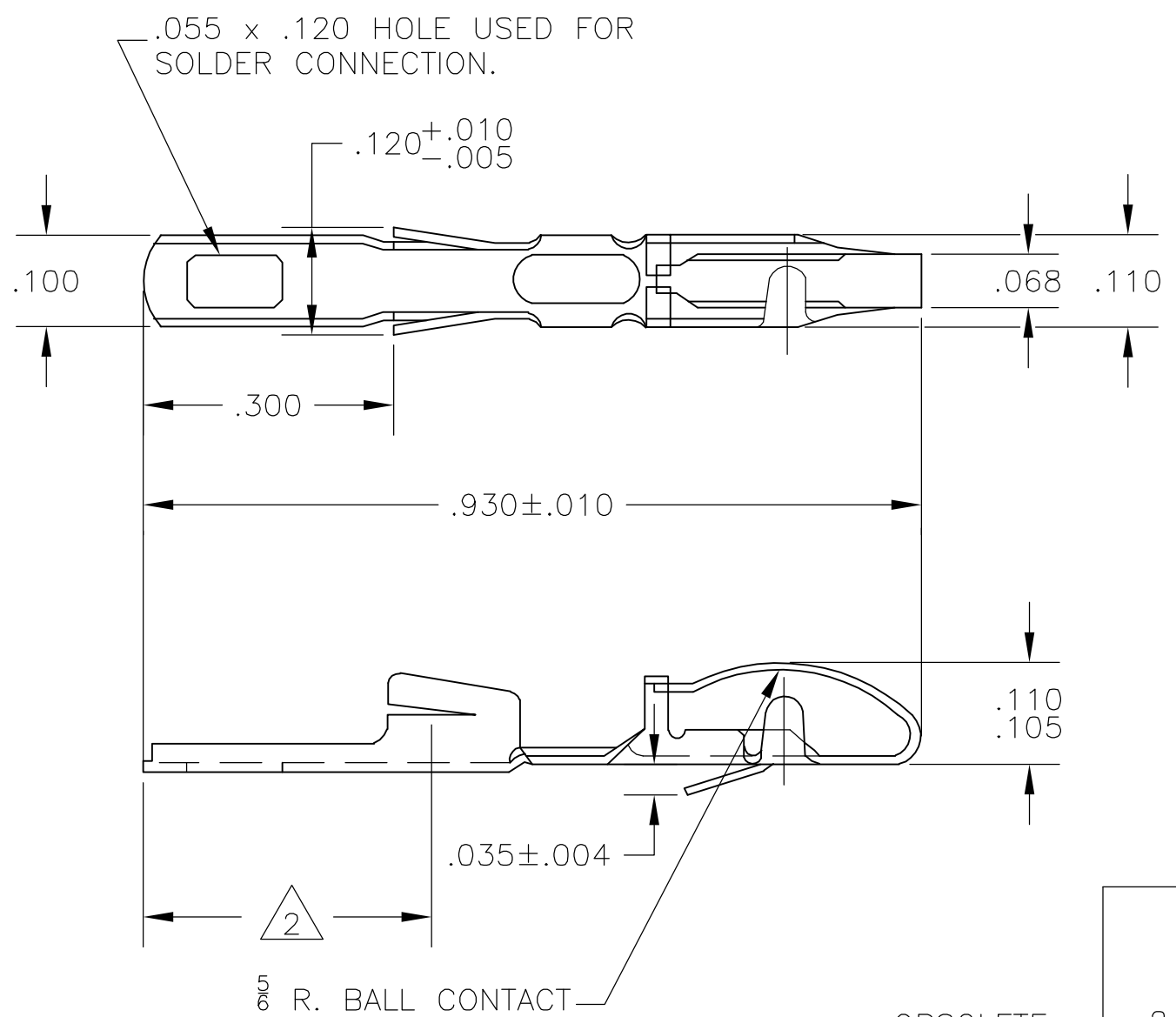


THIS DRAWING IS UNPUBLISHED. RELEASED FOR PUBLICATION
 © COPYRIGHT - BY TYCO ELECTRONICS CORPORATION. ALL RIGHTS RESERVED.

LOC	DIST	REVISIONS					
AD	00	P	LTR	DESCRIPTION	DATE	DWN	APVD
		M		ECO 05 006319	23MAY06	BSV	MK



- 1 SELECTIVE GOLD PLATE OVER NICKEL ON CONTACT AREA ONLY.
- 2 GOLD FLASH OR TIN PLATE OVER NICKEL ON SOLDER TAB.

	5-66067-5	.000015 GOLD OVER NICKEL	FOR 1/16" P.C.BOARD	
	66067-5	.000015 GOLD OVER NICKEL		
OBSOLETE	2-#16	66067-4		.000060 GOLD OVER NICKEL
OBSOLETE	MAX.	66067-3		.000030 GOLD OVER NICKEL
	WIRE SIZE	PART NO.	FINISH	HOUSING

THIS DRAWING IS A CONTROLLED DOCUMENT.		DWN M. SMITH	22JUN67	tyco Electronics		Tyco Electronics Corporation Harrisburg, Pa 17105-3608		
DIMENSIONS: INCHES		CHK -	APVD -	NAME AMP LEAF SOLDER TAB				
TOLERANCES UNLESS OTHERWISE SPECIFIED:		PRODUCT SPEC -		APPLICATION SPEC -				
0 PLC ± - 1 PLC ± - 2 PLC ± - 3 PLC ± - 4 PLC ± - ANGLES ± 1' 0"		WEIGHT -		SIZE A3	CAGE CODE 00779	DRAWING NO C-66067	RESTRICTED TO -	
MATERIAL .010 COML. PHOS. BRONZE		FINISH SEE TABLE		CUSTOMER DRAWING		SCALE 5:1	SHEET 1 OF 1	REV M

D
C
B
A

D
C
B
A