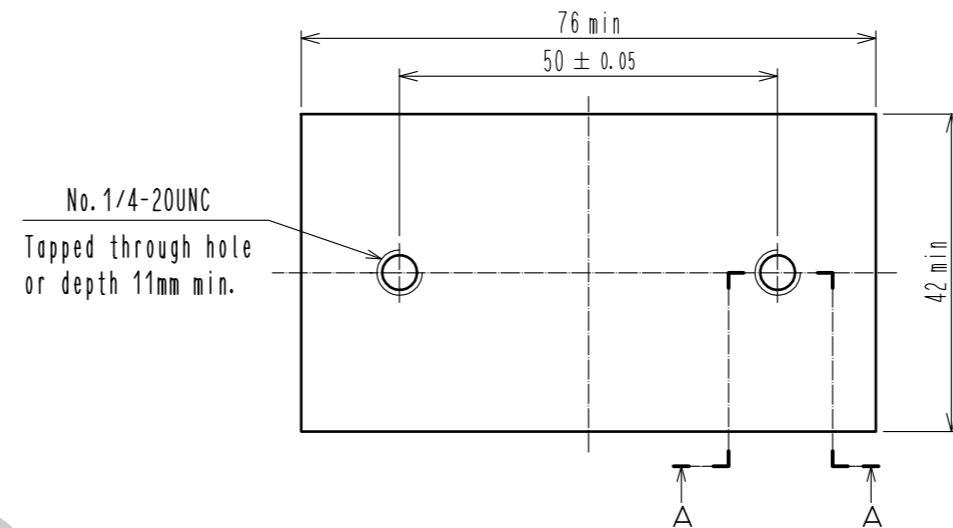
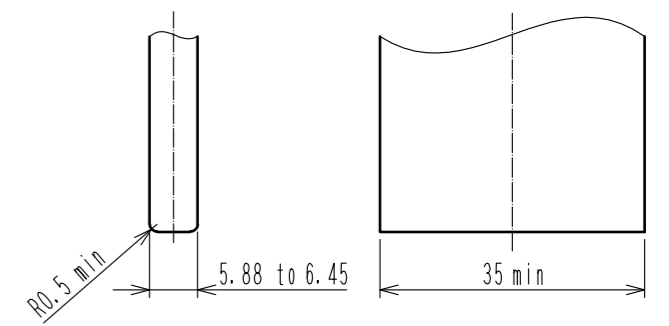


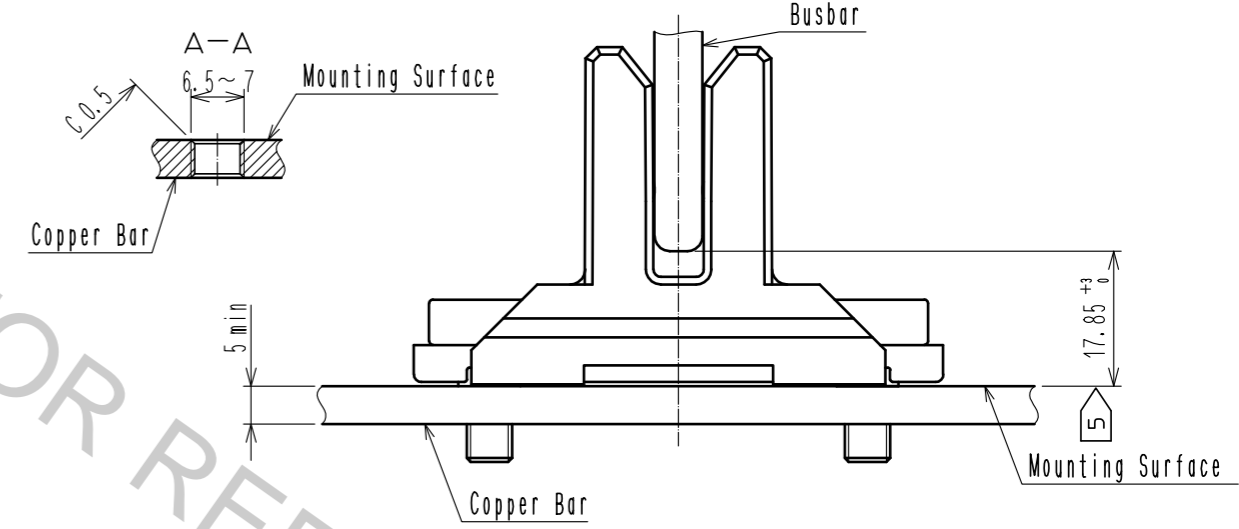
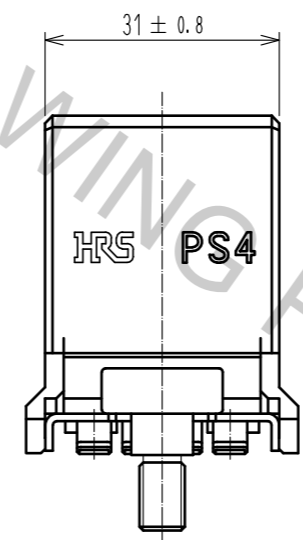
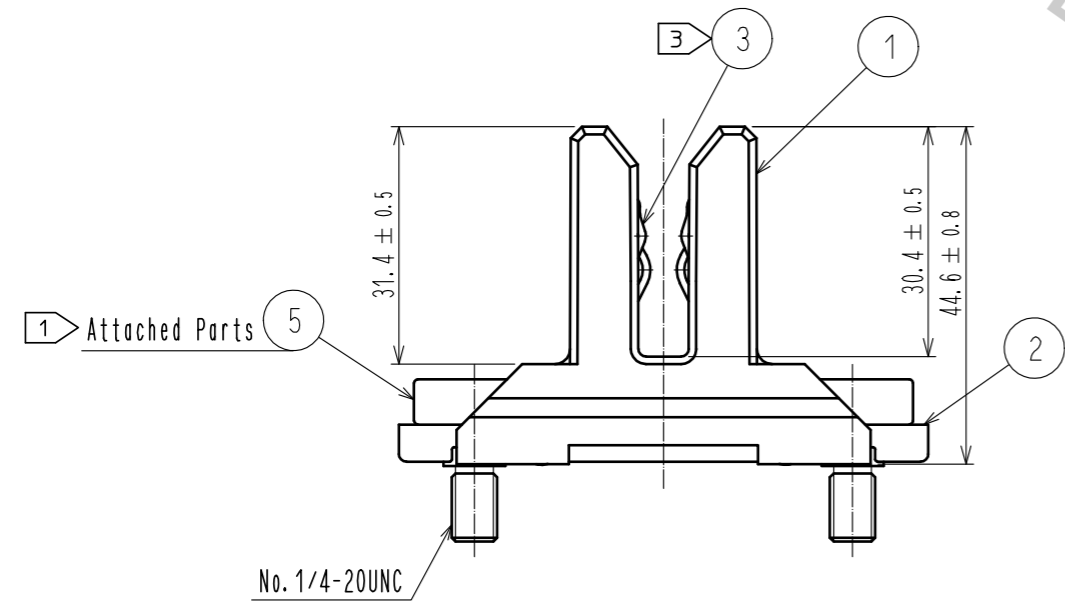
Copper bar Dimensions
(connector mounting bar)



Busbar Dimensions
(mating busbar)



View Of Mounting State



- Notes
- ① The recommended tightening torque for the Ref No.5 is 5 N·m.
 - ② This product has floating range of ±2mm from the center of the connector.
 - ③ There are some cases that plating color of Ref No.3 may change from silver to blackish brown due to chemical reaction by sulfure in the atmosphere.
 - ⚠ ④ Busbar and copper bar shall be either silver plating.
 - ⑤ The recommended distance between installation site and tip of busbar shall be 17.85⁺³ mm.

| | | | | | |
|--------------------------------------|-----------------|--------------------------|------------|---------------------------------|---------------------------|
| 2 | Stainless Steel | | 5 | Steel | Nickel Plating : 2μm min |
| 1 | PBT | Black. UL94V-0 | 4 | PBT | Black. UL94V-0 |
| | | | 3 | Copper Alloy | Silver Plating : 2μm min |
| NO. | MATERIAL | FINISH . REMARKS | NO. | MATERIAL | FINISH . REMARKS |
| UNITS mm | | SCALE 1 : 1 | COUNT 1 | DESCRIPTION OF REVISIONS | |
| | | | | DESIGNED MO. SHIMOYAMA | CHECKED NM. NISHIMATSU |
| | | | | DATE 16.11.15 | |
| HRS HIROSE ELECTRIC CO., LTD. | | APPROVED : RI. TAKAYASU | 15.12.16 | DRAWING NO. EDC-128868-00-00 | |
| | | CHECKED : NM. NISHIMATSU | 15.12.15 | PART NO. PS4-6.35T | |
| | | DESIGNED : MO. SHIMOYAMA | 15.12.15 | CODE NO. CL236-1011-0-00 | |
| | | DRAWN : MO. SHIMOYAMA | 15.12.15 | | |