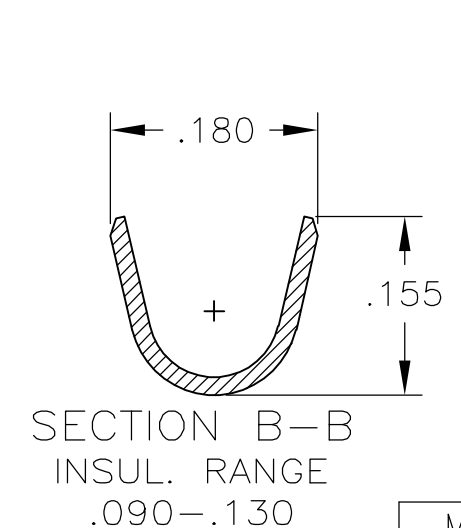
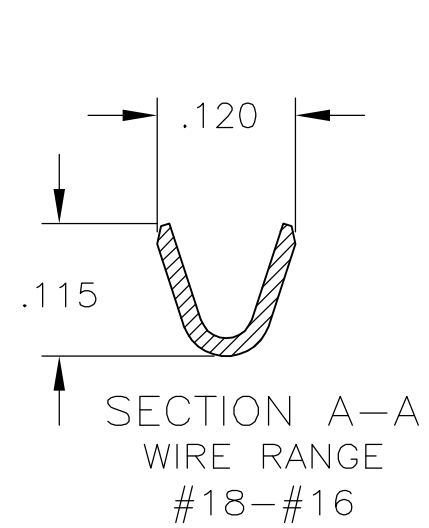
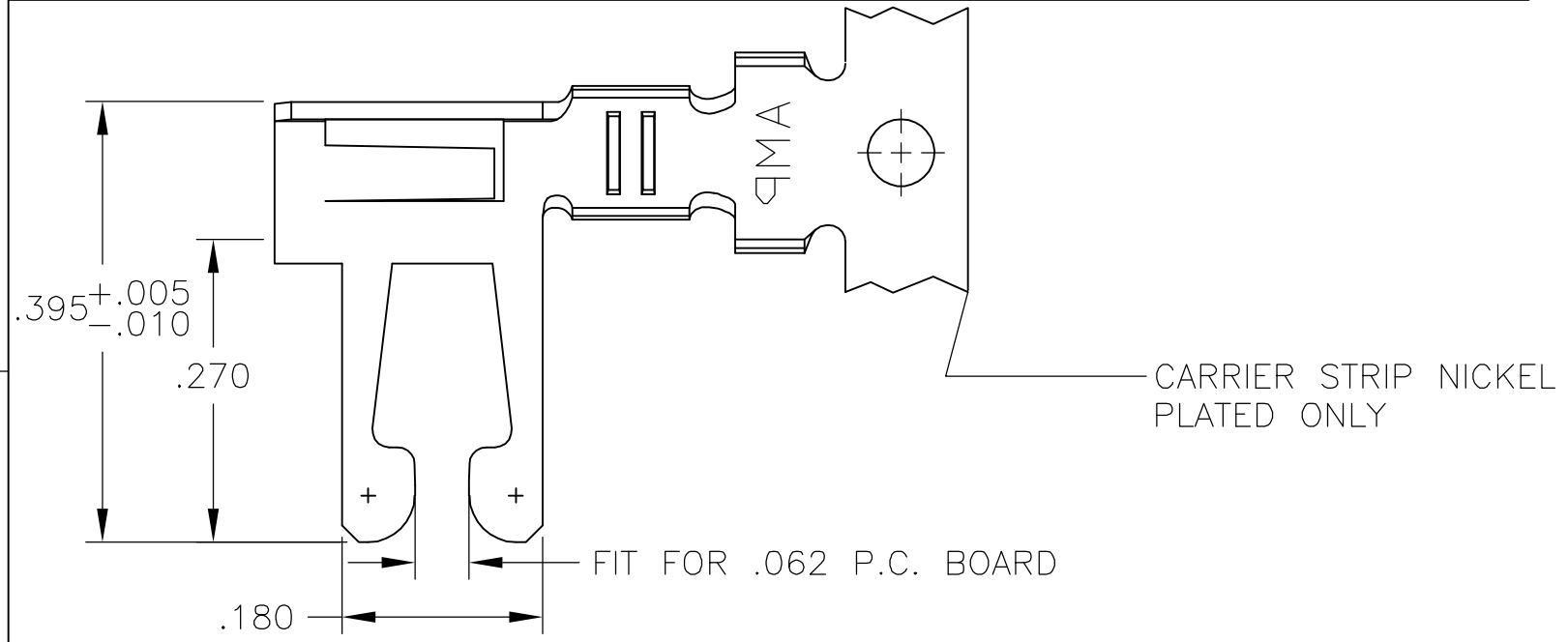


THIS DRAWING IS UNPUBLISHED. RELEASED FOR PUBLICATION
 © COPYRIGHT BY TYCO ELECTRONICS CORPORATION. ALL RIGHTS RESERVED.

LOC	DIST	REVISIONS			
P	LTR	DESCRIPTION	DATE	DWN	APVD
AD	00	F1	ECO-05-014547	21APR2006	RB MM



- TO BE USED IN HOUSING WITH INSULATION CAVITY SIZE OF .125 X .155.
- $\triangle 2$.000030 GOLD OVER .000050 NICKEL IN CONTACT AREA. .000050 NICKEL ON REMAINDER OF CONTACT.
- $\triangle 3$.000015 GOLD OVER .000050 NICKEL IN CONTACT AREA. REMAINDER OF CONTACT .000050 NICKEL.
- $\triangle 4$ L-R FEED FOR MINI-APPL.

FINISH	PART NUMBER
MATTE TIN PLATE	$\triangle 4$ 530505-8
OBSOLETE	$\triangle 3$ $\triangle 4$ 530505-7
OBSOLETE	$\triangle 2$ $\triangle 4$ 530505-6
TIN PLATE	$\triangle 4$ 530505-5
OBSOLETE	$\triangle 3$ 530505-4
OBSOLETE	$\triangle 2$ 530505-3
OBSOLETE	TIN PLATE 530505-2

THIS DRAWING IS A CONTROLLED DOCUMENT.		DWN M.BINNER 03APR01	Tyco Electronics Corporation Harrisburg, PA 17105-3608													
DIMENSIONS: INCHES		CHK M.MILLER 05APR01														
TOLERANCES UNLESS OTHERWISE SPECIFIED:		APVD M.MILLER 05APR01	NAME CONTACT, 22-18 AWG, DUO-TYNE FLAG WITH TAPERED BEAMS													
<table border="1"> <tr><td>0 PLC</td><td>± -</td></tr> <tr><td>1 PLC</td><td>± -</td></tr> <tr><td>2 PLC</td><td>± -</td></tr> <tr><td>3 PLC</td><td>± .005</td></tr> <tr><td>4 PLC</td><td>± .0005</td></tr> <tr><td>ANGLES</td><td>± -</td></tr> </table>		0 PLC	± -	1 PLC	± -	2 PLC	± -	3 PLC	± .005	4 PLC	± .0005	ANGLES	± -	PRODUCT SPEC -	RESTRICTED TO -	
0 PLC	± -															
1 PLC	± -															
2 PLC	± -															
3 PLC	± .005															
4 PLC	± .0005															
ANGLES	± -															
MATERIAL PHOS BRONZE		FINISH SEE TABLE	APPLICATION SPEC -	SIZE A3												
		WEIGHT -	CAGE CODE 00779	DRAWING NO C-530505												
CUSTOMER DRAWING			SCALE 6:1	SHEET 1 OF 1												
			REV F1													