

PART NUMBER	REV	TERMINATOR	FEED TYPE	DESCRIPTION
1426576-1	A	LEADMAKER	MECH POST FEED	CUTS CARRIER
1426576-2	A	BENCH	MECH PRE FEED	CUTS CARRIER
1426576-6	A	LEADMAKER	MECH POST FEED	CONTINUOUS CARRIER
7-1426576-1	A	LEADMAKER	MECH POST FEED	-1 AND SPARE PARTS
7-1426576-2	A	BENCH	MECH PRE FEED	-2 AND SPARE PARTS
7-1426576-6	A	LEADMAKER	MECH POST FEED	-6 AND SPARE PARTS
7-1426576-7	A	-	-	SPARE PARTS KIT

WIRE	SIZE	TYPE	RANGE
WIRE	1.78 [1.070 IN]	F	0.50mm ² -1.50mm ²
INSUL	3.56 [1.140 IN]	O	2.30-3.00 [1.091-1.118 IN]

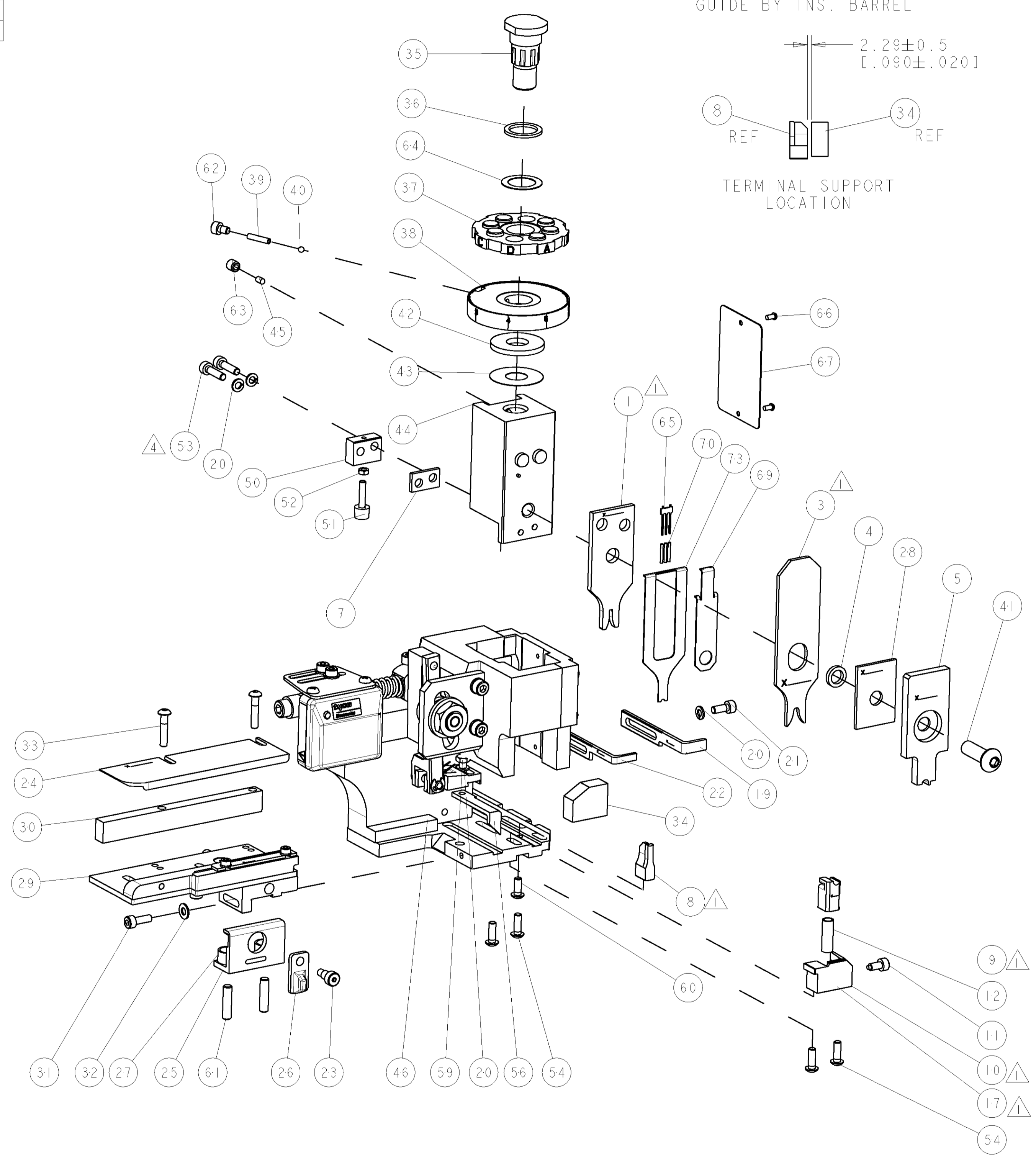
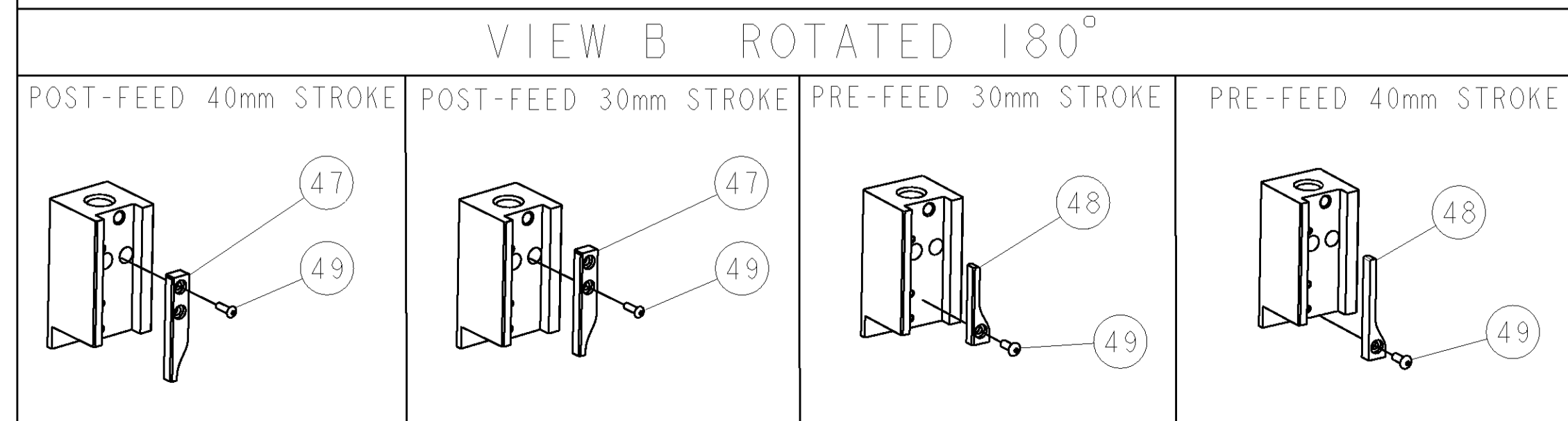
WIRE STRIP LENGTH	APPL INSTRUCTIONS
3.80-4.60 [1.150-1.181 IN]	408-8322

TERMINAL APPL SPEC	FEED
-	11.18 [1.440 IN]

TYCO PN	BURNDY PN	-	-
1572834-1	21059-02	-	-
1572835-1	21062-02	-	-

WIRE SIZE	CRIMP HEIGHT	PINPN & LENGTH [IN]
1.50mm ²	1.57 ±0.05 [1.062 ±0.002 IN]	9-354778-3 [1.2960]
1.00mm ²	1.34 ±0.05 [1.053 ±0.002 IN]	1-354779-4 [1.3060]
0.50mm ²	1.11 ±0.05 [1.044 ±0.002 IN]	3-354779-4 [1.3160]

- △ RECOMMENDED SPARE PARTS.
- 2. GREASE RAM, CAM, CAM FOLLOWER AND FEED ROD LIGHTLY.
- 3. LUBRICATE DAILY PER THE APPLICATOR INSTRUCTION SHEET SUPPLIED WITH THE APPLICATOR.
- △ CUT TO LENGTH ON ASSEMBLY.
- △ ALL CRIMP DATA CALCULATED BY TYCO ELECTRONICS.
- △ 1.50mm² WIRE SIZE WILL NOT MEET TENSILE VALUE TO TYCO ELECTRONICS UK STANDARDS, THEREFORE CANNOT BE RECOMMENDED FOR USE IN THIS TERMINAL.
- △ INSULATION RANGE SHOWN IS THAT OF THE APPLICATOR AND NOT THAT OF THE TERMINAL.



LOC	DIST	REV	DATE	BY	APPV
A	66	A	25NOV2005	LJL	MC

QTY	DESCRIPTION	ITEM NO	
1	1490525-3	DEPRESSOR, WIRE	73
1	-	-	72
1	1338705-1	DOCUMENTATION PACKAGE	71
3	2-23147-2	SPRING, COMPRESSION	70
1	1490524-1	DEPRESSOR, SPACER	69
1	-	-	68
1	461264-1	PLATE, IDENTIFICATION	67
2	21017-2	SCREW, DRIVE	66
1	1424350-1	HOLDER, PIN	65
1	986950-1	WASHER, FLAT PRECISION	64
1	3-18031-0	SCR, SET, CUP POINT M6 X 6.0	63
1	18023-9	SCR, SKT HD CAP M4 X 6.0	62
2	2-18032-5	SCR, SET, FLT POINT M5 X 20.0	61
1	18024-7	SCR, BTN SKT HD CAP (M4 X 10.0)	60
1	5-18022-2	SCR, HEX HD CAP M4 X 8.0	59
1	-	-	58
1	-	-	57
1	1338685-1	PAWL, FEED	56
1	-	-	55
4	18024-8	SCR, BTN SKT HD CAP (M4 X 12.0)	54
2	1-18023-3	SCR, SKT HD CAP M4 X 16.0	53
1	18030-1	NUT, HEX, REG M3	52
1	811242-5	BUMPER, HOLD DOWN	51
1	690753-2	SPACER, TONKER	50
1	18024-3	SCR, BTN SKT HD CAP (M3 X 10.0)	49
1	1338675-1	CAM, UNIVERSAL PRE FEED	48
1	1338676-1	CAM, UNIVERSAL POST-FEED	47
1	1320999-3	APPLICATOR SUBASSEMBLY, HDI	46
1	690191-1	PLUG, NYLON	45
1	1338660-1	RAM	44
1	690125-1	SHIM SUB-ASSY	43
1	690124-1	WASHER, RAM (.115)	42
1	2-18024-6	SCR, BTN SKT HD CAP (M8 X 25.0)	41
1	23241-1	BALL, STEEL	40
1	2-22278-7	SPRING, COMPRESSION	39
1	1320922-1	DISC, ADJUST, INSULATION CRIMP	38
1	354777-1	WIRE DISC, ASSEMBLY	37
1	22480-5	SPRING, COMPRESSION	36
1	690212-1	POST, RAM	35
1	1320934-1	SUPPORT, TERMINAL	34
2	1-18024-0	SCR, BTN SKT HD CAP (M4 X 20.0)	33
1	18027-2	WASHER, FLAT, REG M4	32
1	1-18023-2	SCR, SKT HD CAP M4 X 12.0	31
1	1320908-1	SPACER, STRIP GUIDE	30
1	1633073-1	STRIP GUIDE ASSEMBLY	29
1	1-455888-7	SPACER, CRIMPER	28
2	1-22284-0	SPRING, COMPRESSION	27
1	356835-1	LEVER, DRAG RELEASE	26
1	240792-1	DRAG, TERMINAL	25
1	1320928-1	PLATE, STRIP GUIDE	24
1	980371-4	SCR, SKT HD SHLDR 5.0 DIA X 6.0	23
1	690472-2	STRIPPER	22
1	1-18023-1	SCR, SKT HD CAP M4 X 10.0	21
4	18025-2	WASHER, SPRG LOCK, REG M4	20
1	690472-1	STRIPPER	19
1	-	-	18
1	1338684-1	SHEAR HOLDER, FRONT	17
1	-	-	16
1	-	-	15
1	-	-	14
1	-	-	13
1	5-22280-0	SPRING, COMPRESSION	12
1	356885-4	STOP, SHEAR	11
1	1320921-1	SHEAR HOLDER, FRONT, CUT	10
1	462006-1	FLOATING SHEAR, FRONT	9
1	1633130-4	ANVIL, COMBINATION .070	8
1	3-240641-7	SPACER	7
1	-	-	6
1	3-455889-8	DEPRESSOR, SHEAR	5
1	1-238011-0	BLOCK, CRIMPER SPACER	4
1	5-1583690-5	CRIMPER, INSUL O	3
1	-	-	2
1	3-456404-1	CRIMPER, WIRE PREMIUM	1

QTY	DESCRIPTION	ITEM NO							
1	-	84							
1	-	83							
1	-	82							
1	-	81							
1	-	80							
1	-	79							
1	-	78							
1	-	77							
1	-	76							
1	-	75							
1	-	74							
-77	-76	-72	-71	-6	-2	-1	PART NO	DESCRIPTION	ITEM NO