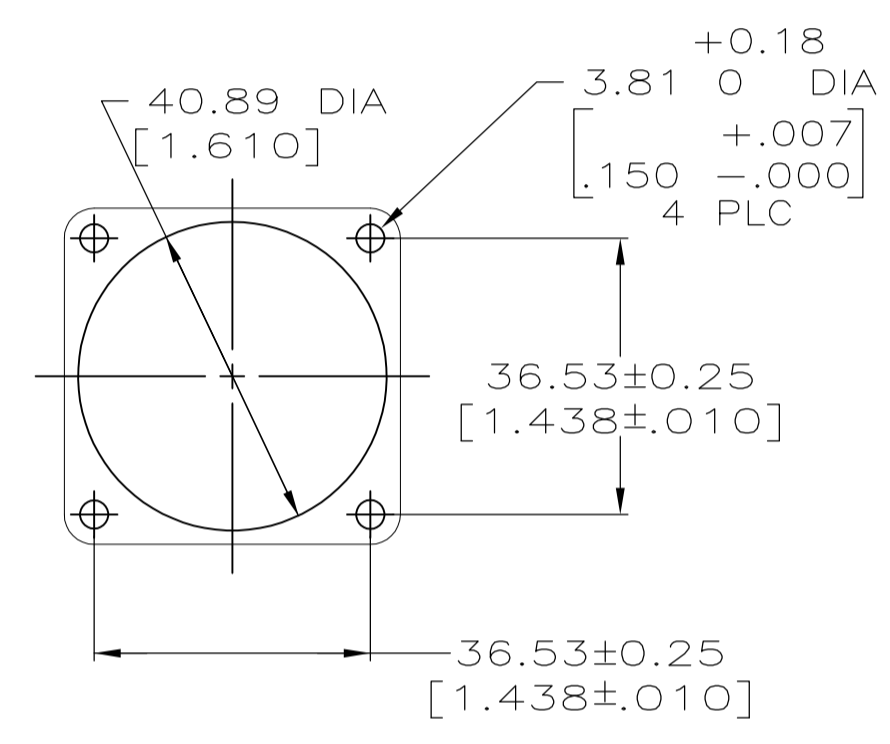
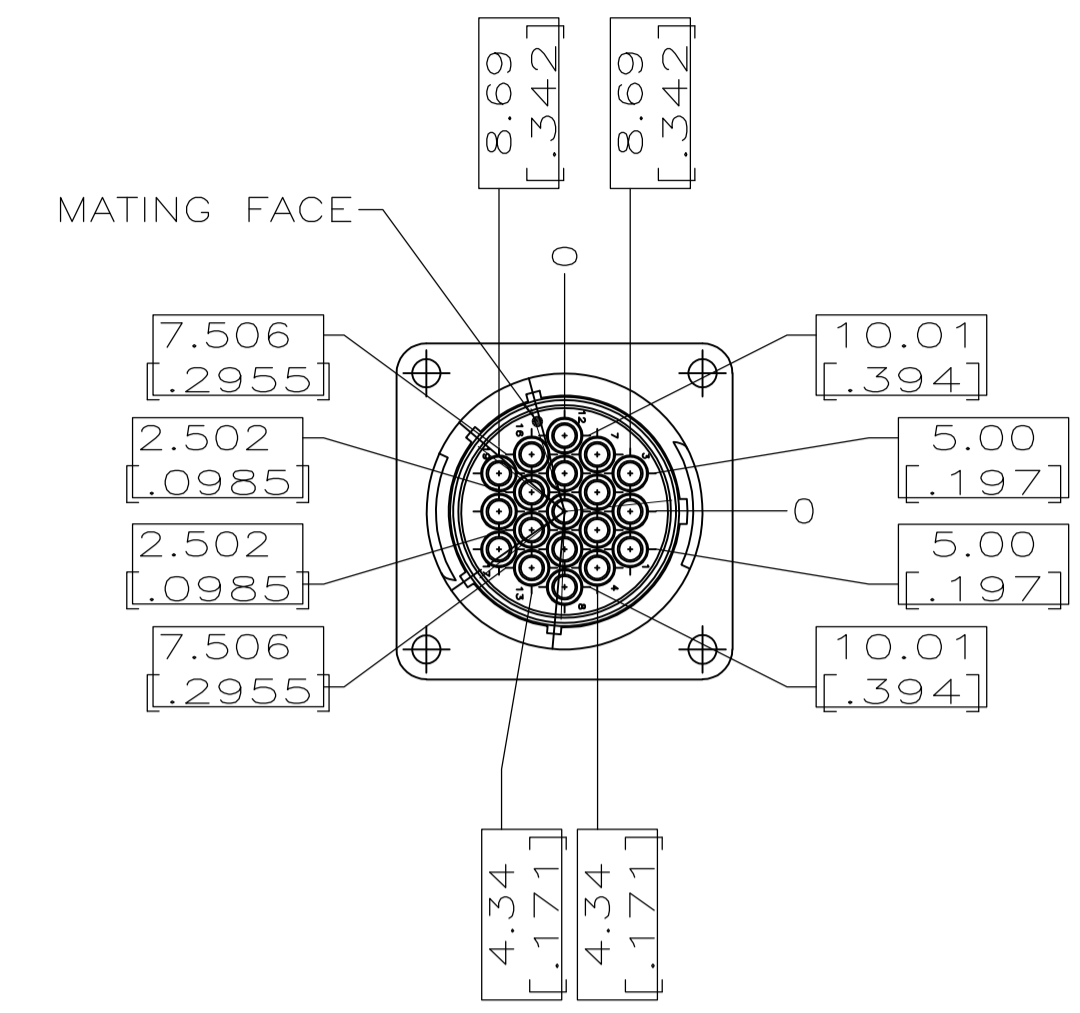
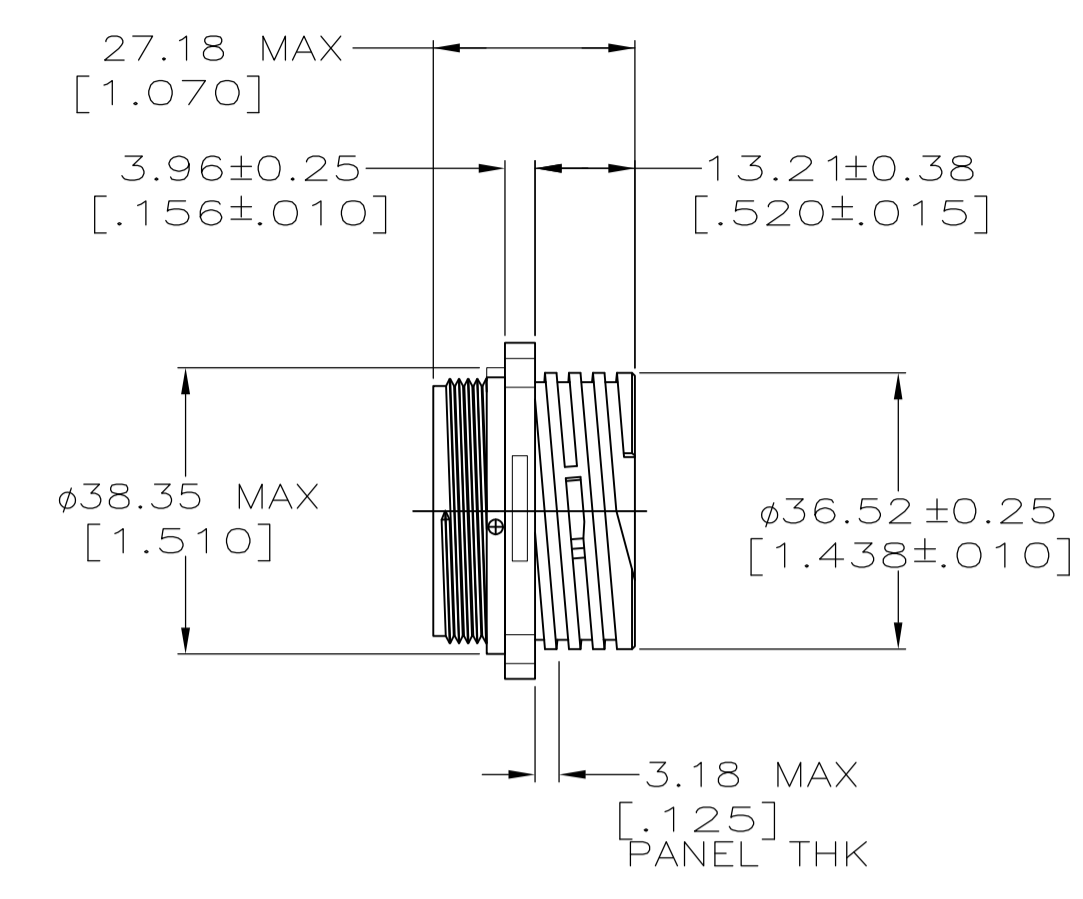
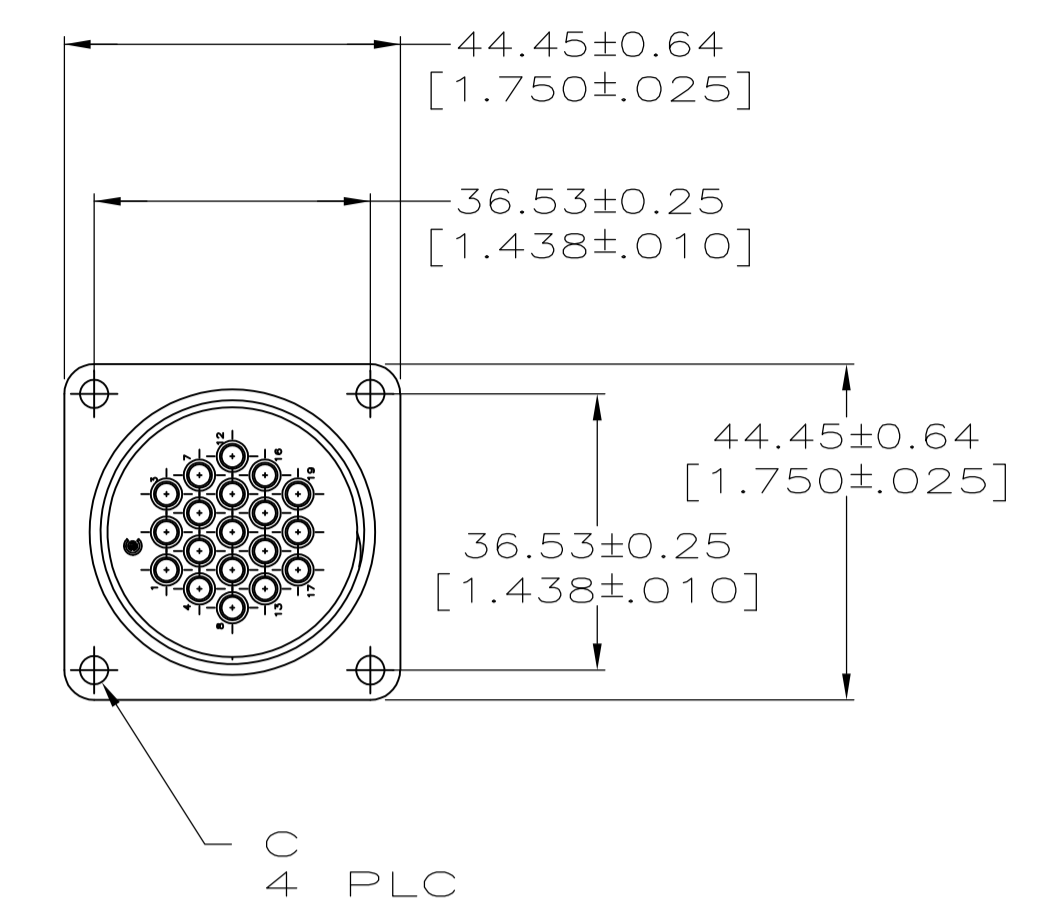


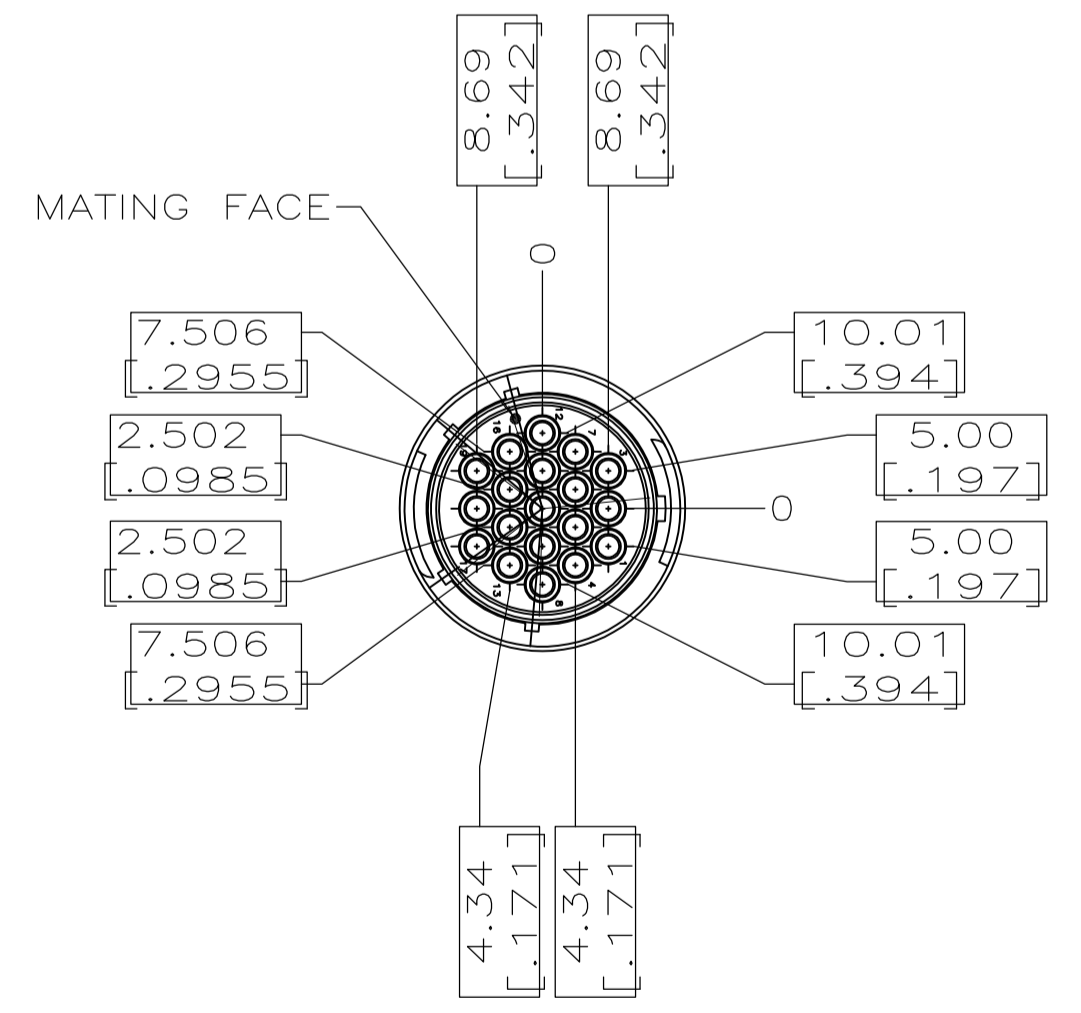
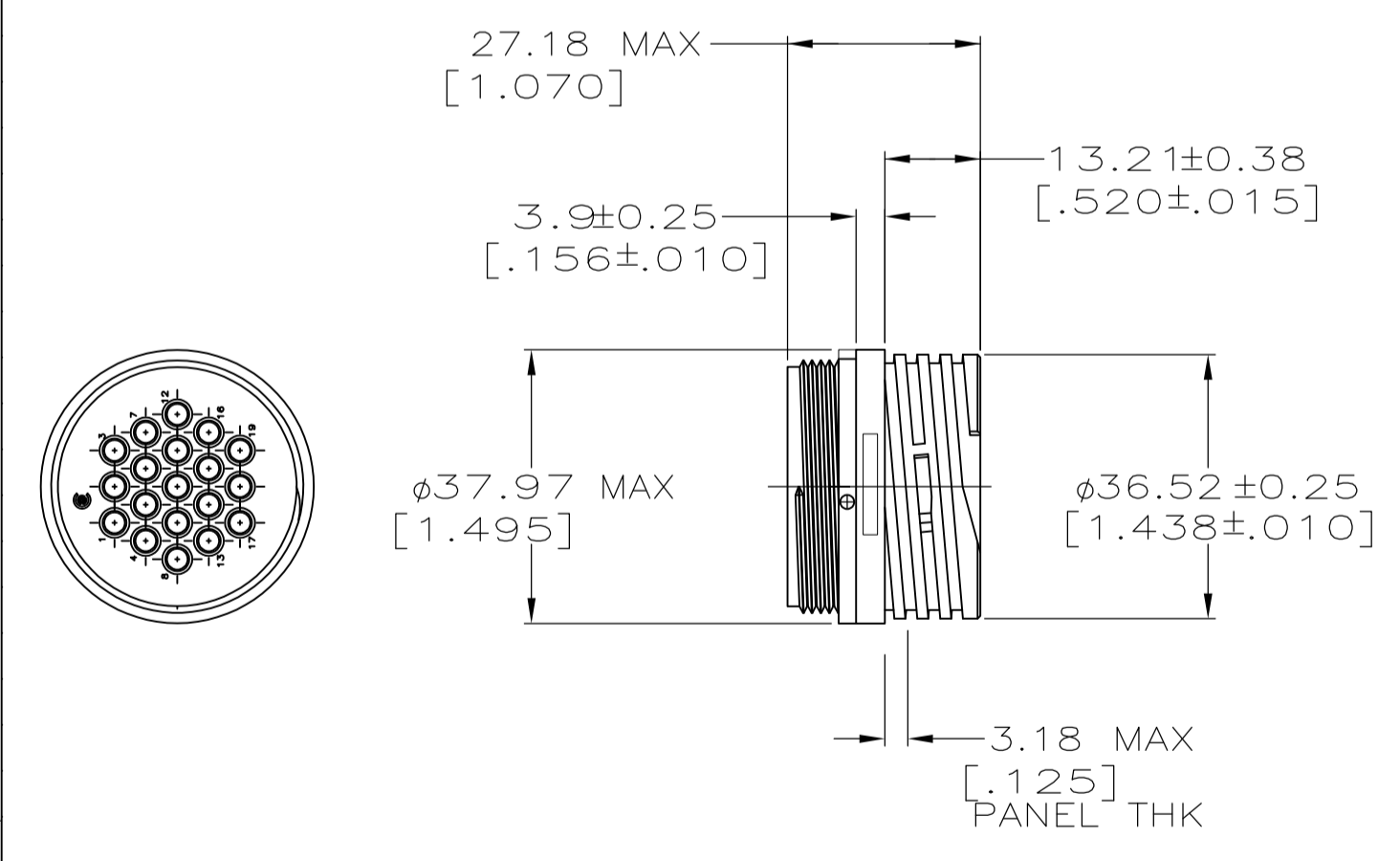
NOTES:

- WILL ACCEPT (19) MULTIMATE SOCKET CONTACTS.
- CONTACT CAVITIES IDENTIFIED BY CHARACTERS ON FRONT AND REAR FACES OF CONNECTOR.
- 3.81[.150] MAX INSULATION DIAMETER.
- 2.54[.100] MAX INSULATION DIAMETER.
- PRELIMINARY PART NUMBER.

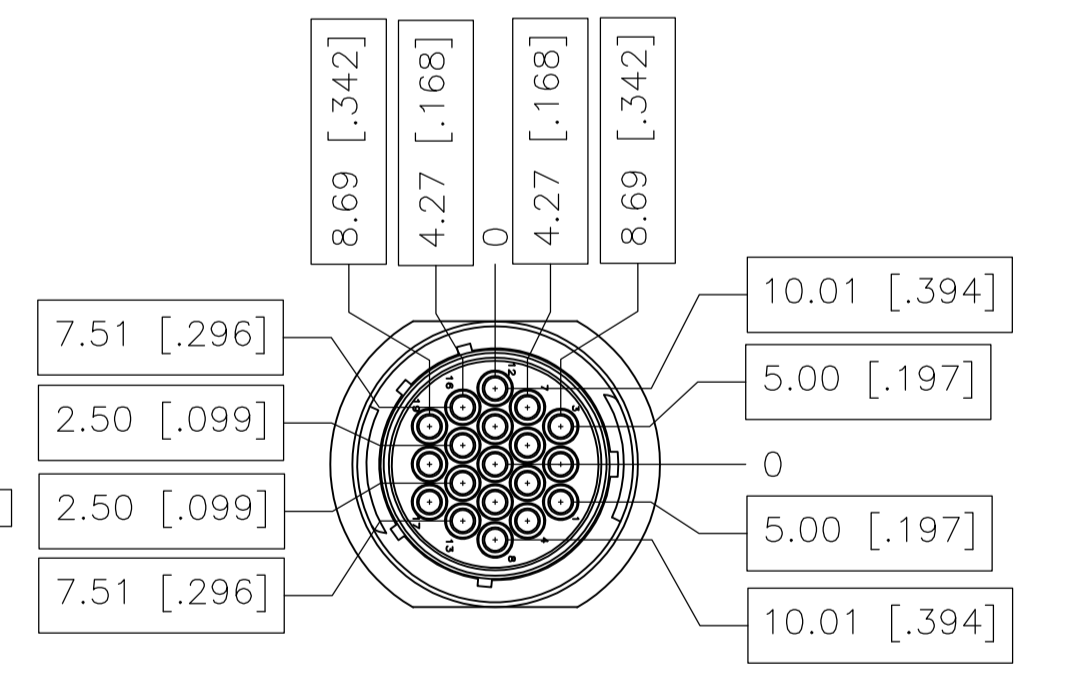
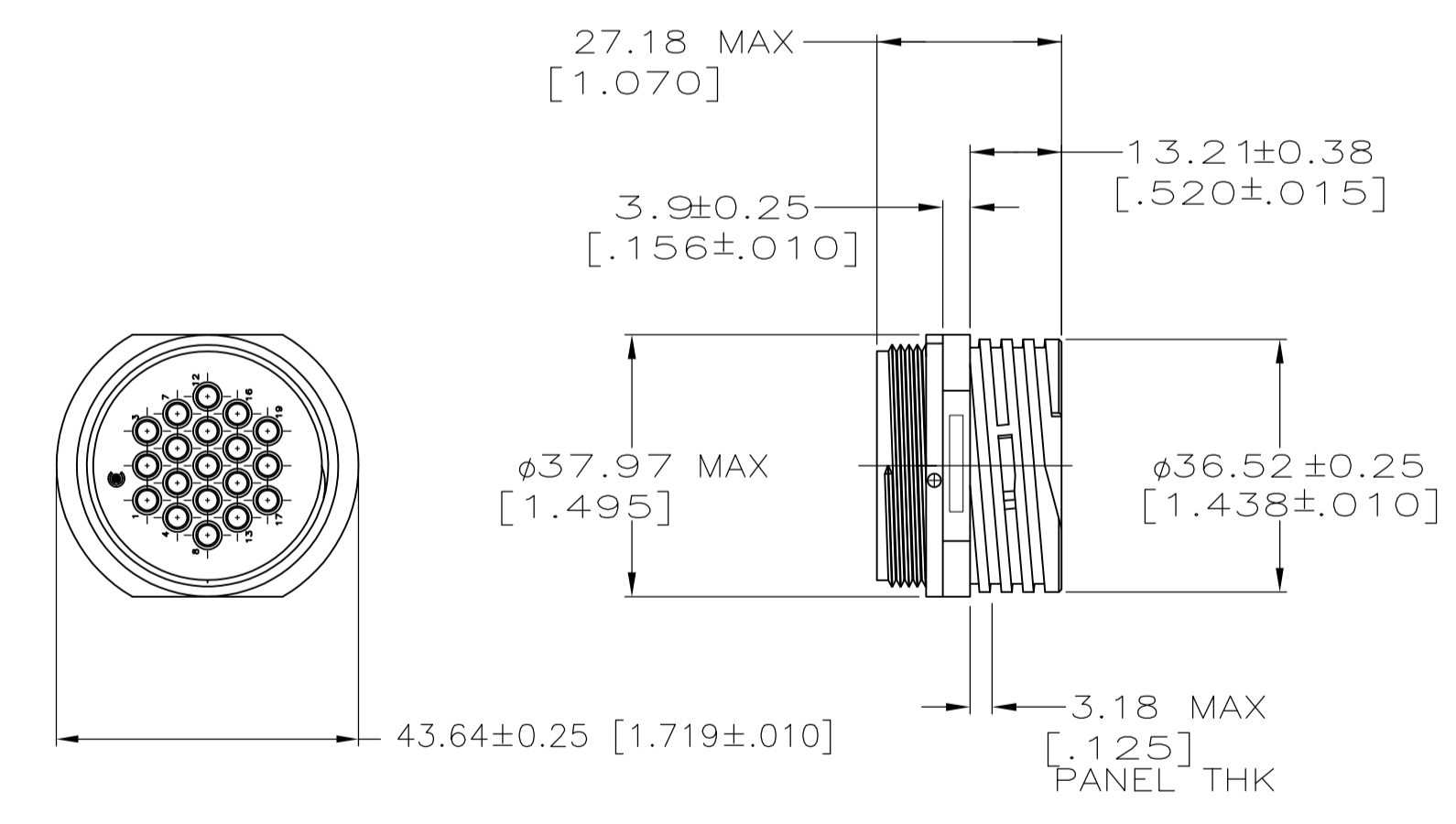


211773-1, 211773-2 & 211773-6

PANEL CUTOUT



211773-4



211773-5

5	4-40 THREADED INSERTS	YES	NORMAL	211773-6
3	-	NO	FREE HANGING	211773-5
3	-	NO	FREE HANGING	211773-4
4	Ø3.81 [.150]	NO	NORMAL	211773-2
3	Ø3.81 [.150]	NO	NORMAL	211773-1
C		PERIPHERAL SEAL	KEYING	PART NUMBER

THIS DRAWING IS A CONTROLLED DOCUMENT.

DIMENSIONS:	TOLERANCES UNLESS OTHERWISE SPECIFIED:	0 PLC ± -	1 PLC ± -	2 PLC ± 0.13[.005]	3 PLC ± -	4 PLC ± -	ANGLES ± -						
MATERIAL:	NYLON, BLACK	FINISH:	-	WEIGHT:	-	SIZE:	A1	CAGE CODE:	00779	DRAWING NO:	211773	RESTRICTED TO:	-
CUSTOMER DRAWING		SCALE:	1:1	SHEET:	1 OF 1	REV:	G1						

STE TE Connectivity
RECEPTACLE HOUSING, REVERSE SEX, SERIES 1, SHELL SIZE 23, CPC