

PRODUCT DATA DRAWING

REVISION HISTORY			
REV	DESCRIPTION	DATE	APPROVED
-	REL.DCN F-11656	10/89	RG
A	REV.DCN 32745	02/05	CCC
B	DCN 38280	06/11	STW

MATERIAL:

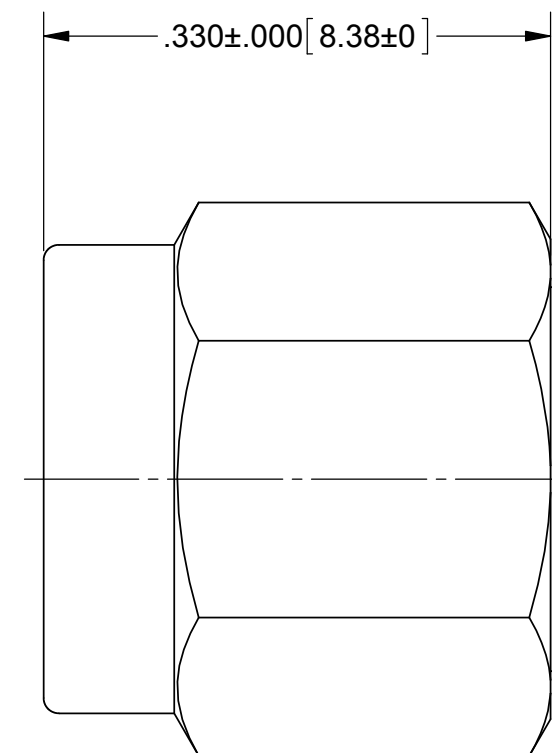
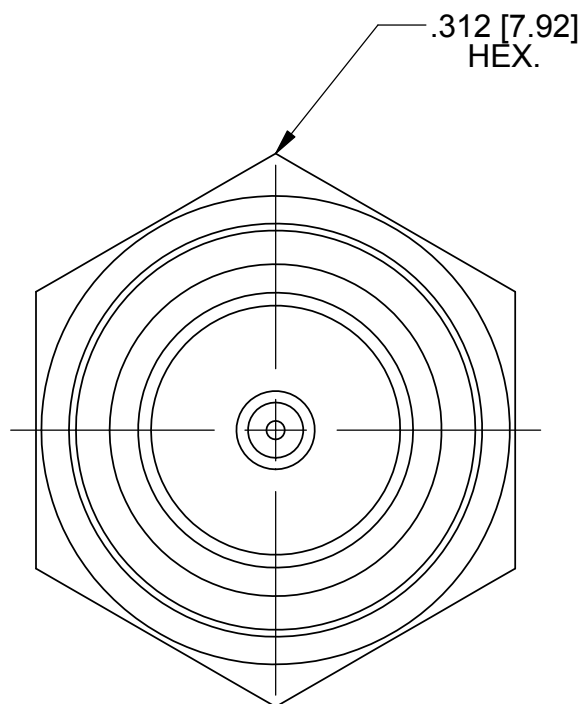
- BODY & COUPLING NUT: STAINLESS STEEL PER AMS-5640, ALLOY UNS S30300, TYPE 1
- LOCK RING & CONTACT: BERYLLIUM COPPER PER ASTM B196
- INSULATOR: PTFE PER ASTM D1710, TYPE I, GRADE 1, CLASS B
- GASKET: SILICONE RUBBER PER ZZ-R-765, CLASS 2B, GRADE 50/60
- RESISTOR ELEMENT: ALUMINA SUBSTRATE WITH NICHROME RESISTOR

FINISH:

- BODY: GOLD PER ASTM B 488, TYPE I, GRADE C, CLASS 1.27, OVER NICKEL PER AMS-QQ-N-290, CLASS 1
- COUPLING NUT: PASSIVATED PER AMS-QQ-P-35, TYPE II
- CONTACT: GOLD PER ASTM B 488, TYPE II, GRADE C, CLASS 1.52, OVER NICKEL PER AMS-QQ-N-290, CLASS 1

PERFORMANCE:

- IMPEDANCE: 50 OHMS
- FREQ. RANGE: DC TO 18.0 GHz
- VSWR: 1.10:1 DC TO 18.0 GHz
- OPERATING TEMP.: -55 °C TO +125 °C
- AVG. POWER: 1 WATT (POWER INPUT DERATED LINEARLY FROM 25°C TO .25 WATTS AT 125 °C)



MATERIAL: SEE NOTES	DIMENSIONS ARE IN INCHES TOLERANCES: FRACTIONAL: ±1/64 ANGULAR: X° ±1'0" X'X' ±15'	UNLESS OTHERWISE SPECIFIED 1) ALL DIMENSIONS ARE IN INCHES (MILLIMETERS) 2) ALL DIMENSIONS ARE AFTER PLATING. 3) BREAK CORNERS & EDGES .005 R. MAX. 4) CHAM. 1ST & LAST THREADS. 5) SURFACE ROUGHNESS 63-MIL-STD-10. 6) DIA. 'S ON COMMON CENTERS TO BE CONCENTRIC WITHIN .005 T.I.R. 7) REMOVE ALL BURRS	SV Microwave, Inc. 2400 Centrepark West Drive, Suite 100 West Palm Beach, FL 33409 TITLE: SMA 1 WATT PLUG TERMINATION	
FINISH: SEE NOTES	DECIMAL: X ±.030 .XX ±.010 .XXX ±.005			
SURFACE AREA: N/A	INTERPRET DIMENSIONS AND TOLERANCES PER ASME Y14.5M - 1994		DRAWN: DWC 10/13/89	
PROPRIETARY	THIRD ANGLE PROJECTION		CHECKED: RG 10/19/89	
THE INFORMATION CONTAINED IN THIS DRAWING IS THE SOLE PROPERTY OF SV MICROWAVE, INC. ANY REPRODUCTION IN PART OR AS A WHOLE WITHOUT THE WRITTEN PERMISSION OF SV MICROWAVE, INC IS PROHIBITED.			APPROVED:	
			SIZE: B	CAGE CODE: 95077
			DWG. NO.: SF8018-6061	
			SCALE: 8:1	SHEET 1 OF 1