



MAX2016 Evaluation Kit

Evaluates: MAX2016

General Description

The MAX2016 evaluation kit (EV kit) is a fully assembled and tested surface-mount PCB that allows for easy evaluation of the MAX2016 dual logarithmic detector/controller. The MAX2016 EV kit includes connections to operate the device as a detector or as a controller. The RF inputs utilize 50Ω SMA connectors for convenient connections to test equipment.

Component Suppliers

SUPPLIER	PHONE	WEBSITE
AVX Corp.	803-946-0690	www.avx.com
Murata Mfg. Co., Ltd.	770-436-1300	www.murata.com

Note: Indicate that you are using the MAX2016 when contacting these component suppliers.

DESIGNATION	QTY	DESCRIPTION
C1, C2, C8, C9	4	680pF ±5%, 50V COG ceramic capacitors (0402) Murata GRP1555C1H681J
C3, C6, C10, C13	4	33pF ±5%, 50V COG ceramic capacitors (0402) Murata GRP1555C1H330J
C4, C7, C11, C14	4	0.1μF ±10%, 16V X7R ceramic capacitors (0603) Murata GRM188R71C104K
C5, C12, C15	0	Not installed, capacitors (0603)
C16, C17	0	Not installed, capacitors (0402)
C18	1	10μF ±10%, 16V tantalum capacitor (C case) AVX TAJC106K016R
J1, J2	2	PCB edge-mount SMA RF connectors (flat-tab launch) Johnson 142-0741-856

†The exposed paddle conductor on U1 must be solder-attached to a grounded pad on the PCB to ensure a proper electrical/thermal design.

Features

- ◆ Complete Gain and VSWR Detector/Controller
- ◆ Dual-Channel RF Power Detector/Controller
- ◆ Low Frequency to 2.5GHz Frequency Range
- ◆ Exceptional Accuracy Over Temperature
- ◆ High 80dB Dynamic Range
- ◆ 2.7V to 5.25V* Supply Voltage Range
- ◆ Internal 2V Reference
- ◆ Scaling Stable Over Supply and Temperature Variations
- ◆ Controller Mode with Error Output
- ◆ Available in 5mm x 5mm, 28-Pin Thin QFN Package

*See the Power-Supply Connection section.

Ordering Information

PART	TEMP RANGE	PIN-PACKAGE
MAX2016EVKIT	-40°C to +85°C	28 Thin QFN-EP**

**EP = Exposed paddle.

Component List

DESIGNATION	QTY	DESCRIPTION
R1–R5	5	0Ω resistors (0402) Any
R6	1	0Ω resistor (1206) Any
R7–R10	0	Not installed, resistors
TP1	1	Large test point for 0.062in PCB (red) Mouser 151-107 or equivalent
TP2, TP4, TP9	3	Large test points for 0.062in PC board (black) Mouser 151-103 or equivalent
TP3, TP5–TP8, TP10	6	Large test points for 0.062in PC board (white) Mouser 151-101 or equivalent
TP11, TP12, TP13	0	Not installed, test points
U1	1	MAX2016ETI†
—	1	PCB: MAX2016EVKIT

MAX2016 Evaluation Kit

Quick Start

The MAX2016 EV kit is fully assembled and factory tested. See the *Connections and Setup* section for proper device evaluation.

Recommended Equipment

- One DC power supply capable of delivering between 2.7V and 5.25V at 100mA (see the *Power-Supply Connection* section for supply voltages > 3.6V).
- Two signal generators capable of delivering -65dBm to +5dBm at frequencies between 100MHz and 2.5GHz.
- One high-dynamic-range RF power meter for calibrating the signal generator.
- Five digital multimeters (DMMs) to monitor supply voltage, supply current, and output voltages.
- Two 6dB attenuator pads.

Connection and Setup

This section provides a step-by-step guide to testing the basic functionality of the EV kit. As a general precaution to prevent damaging the device, **do not turn**

on the DC power or the RF signal generator until all connections are made:

- 1) With the DC power supply disabled, set it to +3.3V (through a low internal-resistance ammeter, if desired) and connect to the V_S (TP1) terminal. Connect the power-supply ground to the GND (TP2) terminal on the EV kit. If available, set the current limit to 100mA.
- 2) Calibrate the power meter at 100MHz.
- 3) Connect the RF signal generators to the power meter through a 6dB attenuator pad.
- 4) Calibrate the signal generator's output (frequency = 100MHz) over the desired power range.
Note: Some power meters may be limited in terms of their dynamic range.
- 5) Disable the RF signal generator output powers. Disconnect the power meter from the attenuator pad and connect these pad outputs to the RFINA and RFINB SMA's on the EV kit.
- 6) Connect the VOUTA, VOUTB, and VOUTD wires to three voltmeters. Enable the DC power supply. The DC current of the EV kit should be approximately 43mA.

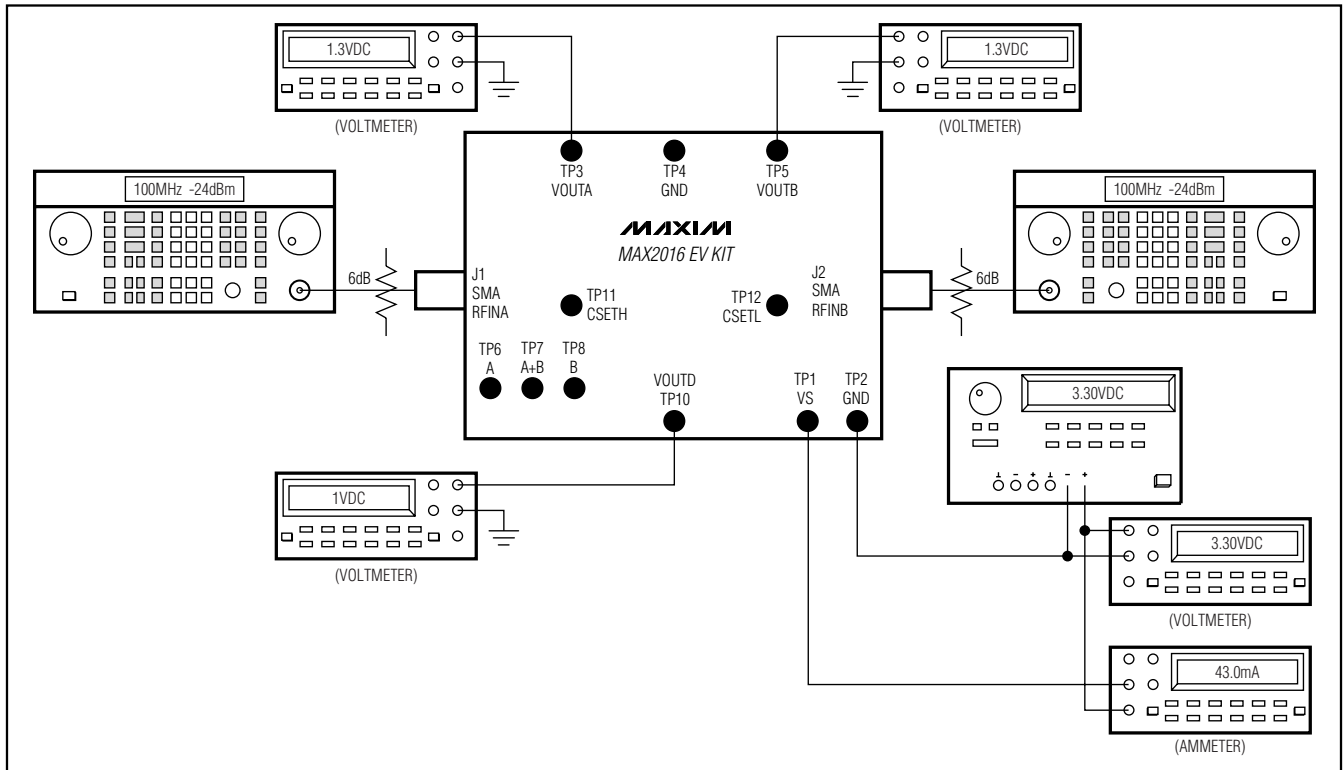


Figure 1. MAX2016 EV Kit Test Setup Diagram

MAX2016 Evaluation Kit

Evaluates: MAX2016

- 7) Enable the output powers of the RF signal generators.
- 8) Using the calibration results from step 4, set the generator outputs to produce -30dBm into RFINA and RFINB.
- 9) Verify that an output voltage at VOUTA and VOUTB of approximately 1.3V is measured on the voltmeters.
- 10) Verify that an output voltage at VOUTD of approximately 1V is measured on the voltmeter.
- 11) Adjust the signal-generator power levels up and down to see a corresponding change in VOUTA, VOUTB, and VOUTD.

Detailed Description

The MAX2016 EV kit is a fully assembled and tested surface-mount PCB that evaluates the MAX2016 dual logarithmic detector/controller. The RF inputs utilize 50Ω SMA connectors for convenient connections to test equipment.

Individual Log Amps (VOUTA and VOUTB)

The MAX2016 uses two individual log amps to measure the input power applied to RFINA and RFINB. These amplifiers are normally configured in detector mode to provide an output signal proportional to the applied input power level. The individual log amp output can also be operated in a controller mode, to control an external device using the input power as the control parameter.

Detector Mode

The MAX2016 EV kit is assembled with a 0Ω resistor for R1 and R2. This sets the slope of the individual log amp output signal to approximately 18mV/dB (RF = 100MHz). To increase the slope of either individual output signals, VOUTA or VOUTB, increase the value of R1 or R2, respectively. For example, if a 40kΩ resistor is used for R1, the slope for the VOUTA signal increases to 36mV/dB.

Power-Controller Mode

For operation of either VOUTA or VOUTB in controller mode, remove R1 or R2. A set-point voltage must then be applied to the SETA or SETB inputs. Use a DAC, an external precision voltage supply, or the internal reference output and resistor-divider string to apply the set-point voltage to SETA or SETB. Operate SETA or SETB at voltages between 0.6V and 1.6V. RFINA or RFINB are connected to the RF source and the VOUTA or VOUTB is connected to the gain-control pin of the system under control.

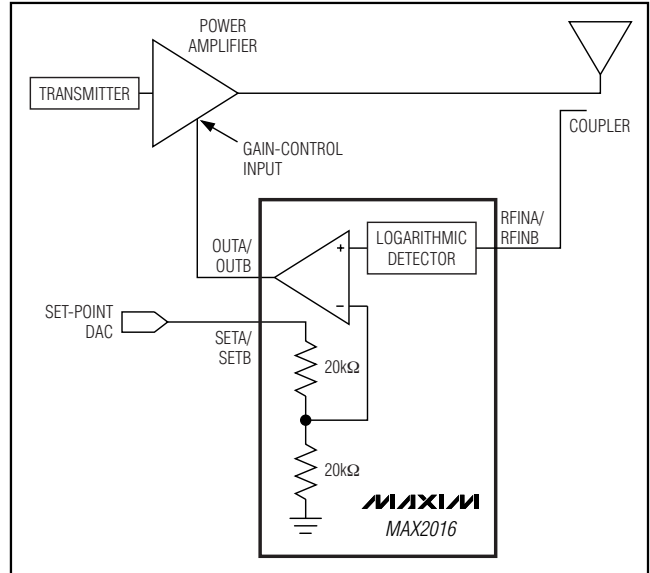


Figure 2. Power-Controller Mode

In the power-controller mode (Figure 2), the DC voltage at OUTA or OUTB controls the gain of the PA leading to a constant output power level. (**Note:** Only one controller channel is shown within the figure. Since the MAX2016 is a dual controller/detector, the second channel can be easily implemented by using the adjacent set of input and output connections).

Difference Amplifier (VOUTD)

Comparator

The MAX2016 integrates two comparators to monitor the difference in power levels (gain) of the RFINA and RFINB. By default, R4 and R5 are set to be 0Ω. Therefore, CSETL and CSETH are connected to VCC, thus disabling the comparator operations. To enable the comparator operations, R4 and R5 must be removed. Load C16 and C17 with 0.1μF capacitors. Use the reference voltage from the MAX2016 to generate two voltages through a resistor-divider network (R7/R8 and R9/R10) to set the CSETH and CSETL trip points. Alternately, R4, R5, and R7–R10 can be removed and external voltages applied at CSETH and CSETL to set the comparator trip points. Be sure to observe the voltage limits specified in the MAX2016 data sheet.

The logic outputs at each comparator monitor the gain independently. The COR output, (A + B), ORs the outputs of both comparators to tell whether the gain of the amplifier falls in the range. For more information, refer to the *Applications Information* section in the MAX2016 data sheet.

MAX2016 Evaluation Kit

Detector Mode

The MAX2016 EV kit is assembled with a 0Ω resistor for R3. This sets the slope of the difference output signal, VOUTD, to approximately -25mV/dB ($R_F = 100\text{MHz}$). To increase the slope of the difference output signal, increase the value of R3. For example, if a $20\text{k}\Omega$ resistor is used for R3, the slope for the difference signal increases to -50mV/dB .

The bandwidth and response time of the difference output amplifier can be controlled with an external capacitor, C15. With no external capacitor, the bandwidth is greater than 20MHz . Refer to the *Applications Information* section in the MAX2016 data sheet for the equation to calculate the required capacitance.

Gain-Controller Mode

The MAX2016 can be used as a gain controller within an automatic gain-control (AGC) loop. In the gain-controller mode, remove R3. As shown in Figure 3, RFINA and RFINB monitor the VGA's input and output power levels, respectively. The MAX2016 produces a DC voltage at VOUTD that is proportional to the difference in these two RF input power levels. An internal op amp compares the DC voltage with a reference voltage at SETD. The op amp increases or decreases the voltage at VOUTD until VOUTD equals to SETD. Thus, the MAX2016 adjusts the gain of the VGA to a level determined by the voltage applied to SETD. Operate SETD between 0.5V and 1.5V for the best dynamic range.

Frequency-Response Modifications

The MAX2016 EV kit has been optimized to support a minimum operating frequency of 100MHz . However, if desired, the kit can be modified to operate at a lower frequency. The EV kit design includes external capacitors (C5 and C12) to lower the frequency operation below 100MHz . These capacitors should be loaded in conjunction with changes in the values of C1, C2, C8, and C9 to lower the input frequency range below 100MHz . Refer to the *Applications Information* section in the MAX2016 data sheet for the equation to calculate the required capacitance.

Power-Supply Connection

The MAX2016 is designed to operate from a single $+2.7\text{V}$ to $+3.6\text{V}$ supply. To operate under a higher supply voltage range, a resistor must be connected in series with the power supply and V_{CC} to reduce the voltage delivered to the chip. For a $+4.75\text{V}$ to $+5.25\text{V}$ supply, change R6 to a 37.4Ω ($\pm 1\%$) resistor.

Layout Considerations

The MAX2016 evaluation board can be a guide for board layout. Pay close attention to the thermal design

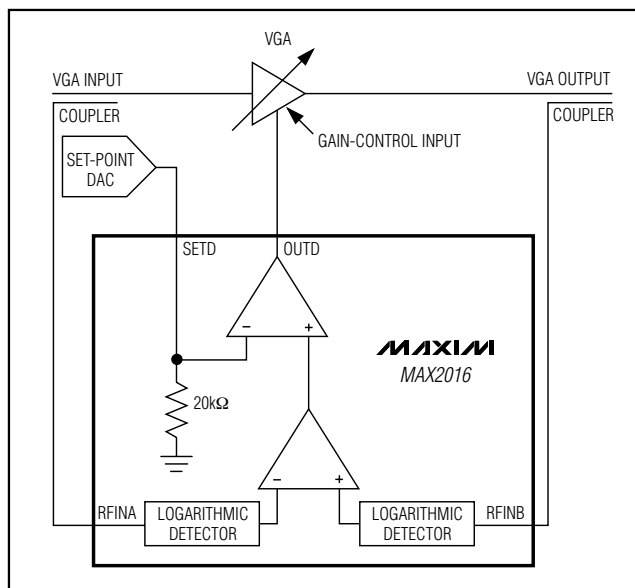


Figure 3. In the Gain-Controller Mode, the VOUTD Maintains the Gain of the VGA

and close placement of the parts to the IC. The MAX2016 package exposed paddle (EP) conducts heat from the part and provides a low-impedance electrical connection. The EP must be attached to the PCB ground plane with a low thermal and electrical contact. Ideally, this can be achieved by soldering the backside package contact directly to a top metal ground plane on the PCB. Alternatively, the EP can be connected to a ground plane using an array of plated vias directly below the EP. The MAX2016 EV kit uses nine equally spaced, 0.012in -diameter, plated through holes to connect the EP to the lower ground planes.

Keep the input traces carrying RF signals as short as possible to minimize radiation and insertion loss due to the PCB. The isolation of the RF inputs is dependent upon the layout of these traces, which must be physically isolated from one another for optimum performance. Each power-supply node on the PCB should have its own decoupling capacitor. This minimizes supply coupling from one section of the PCB to another. Using a star topology for the supply layout, in which each power-supply node in the circuit has a separate connection to the central node, can further minimize coupling between sections of the PCB.

MAX2016 Evaluation Kit

Evaluates: MAX2016

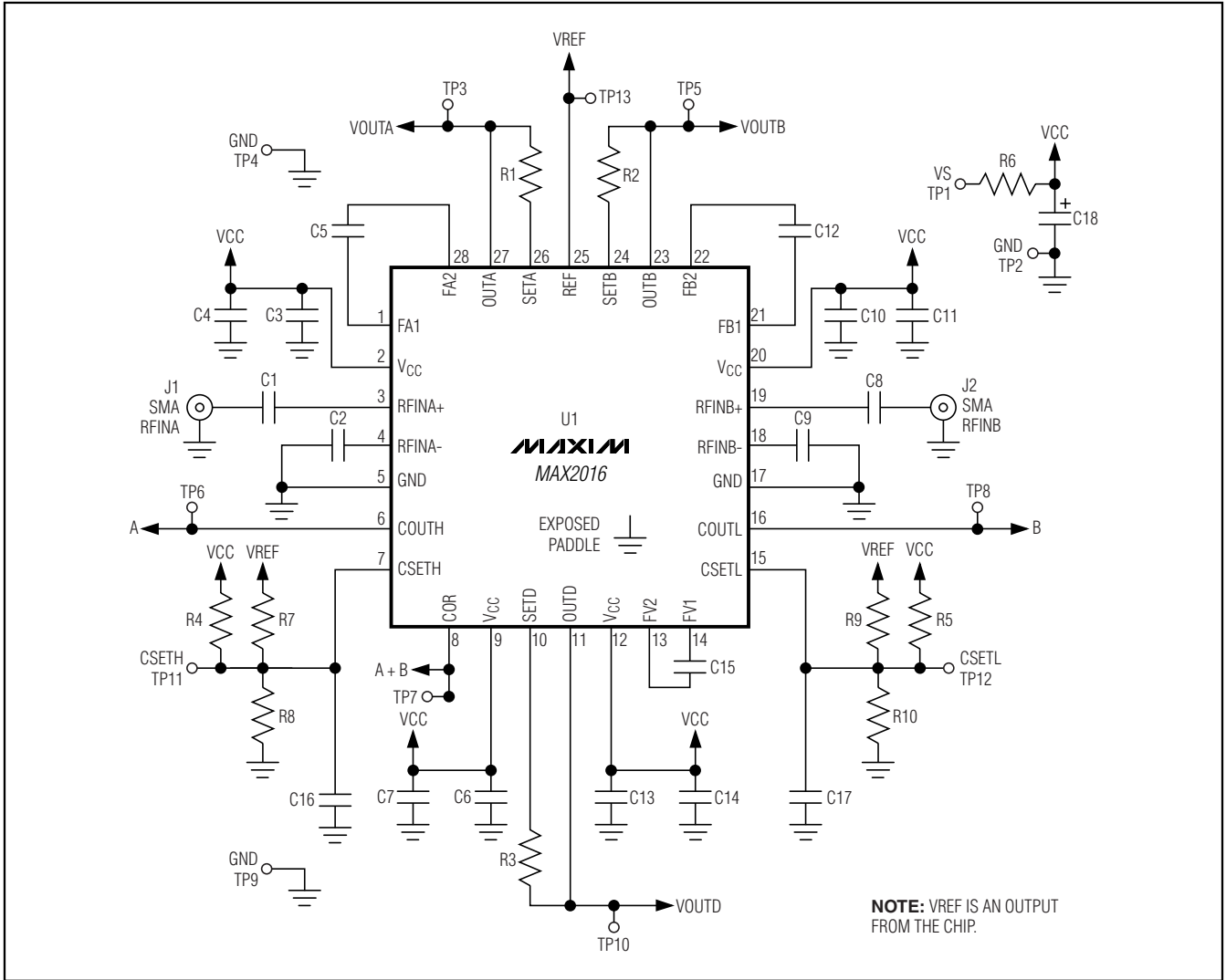


Figure 4. MAX2016 EV Kit Schematic

MAX2016 Evaluation Kit

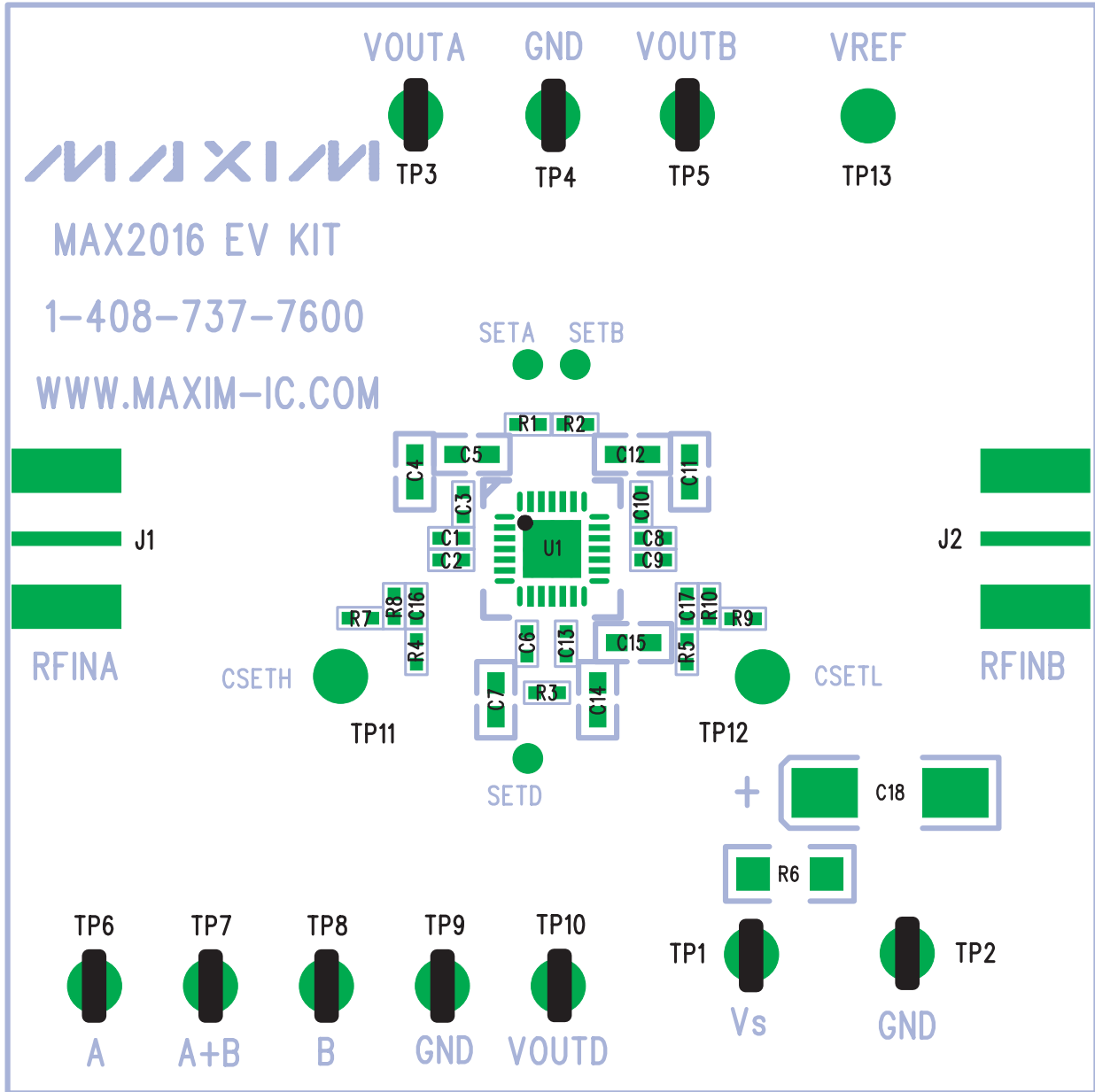


Figure 5. MAX2016 EV Kit Component Place Guide—Component Side

MAX2016 Evaluation Kit

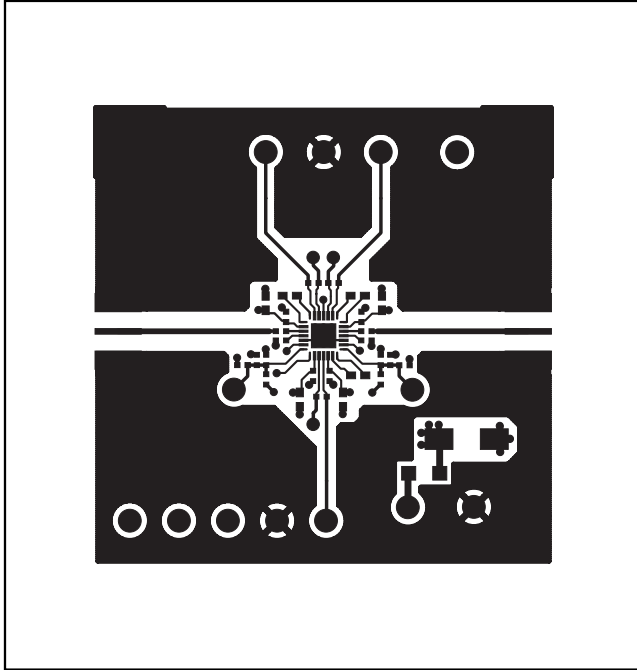


Figure 8. MAX2016 EV Kit PCB Layout—Top Layer Metal

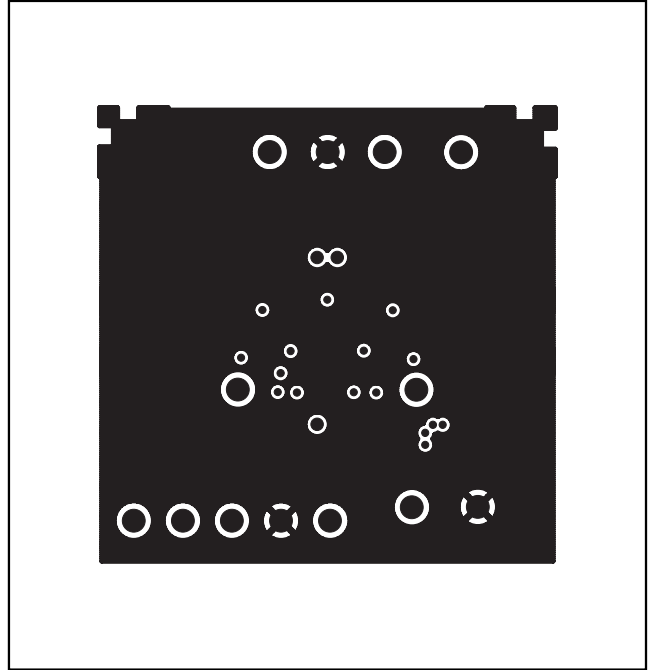


Figure 9. MAX2016 EV Kit PCB Layout—Inner Layer 2 (GND)

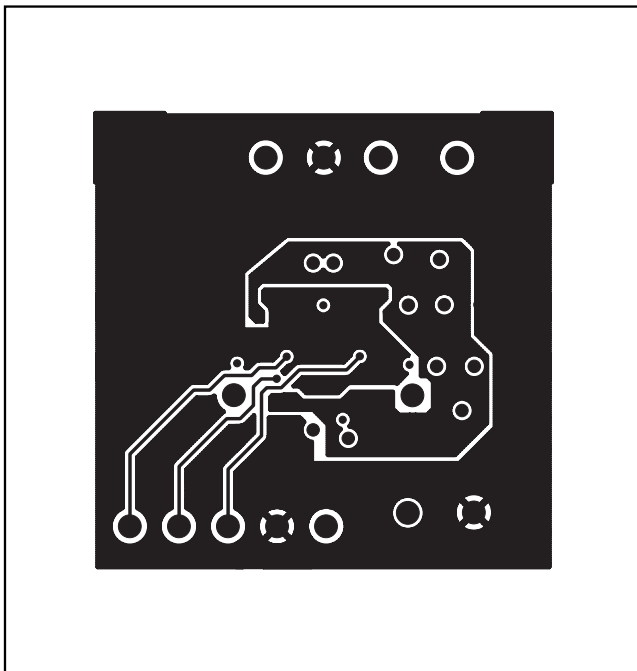


Figure 10. MAX2016 EV Kit PCB Layout—Inner Layer 3 (Routes)

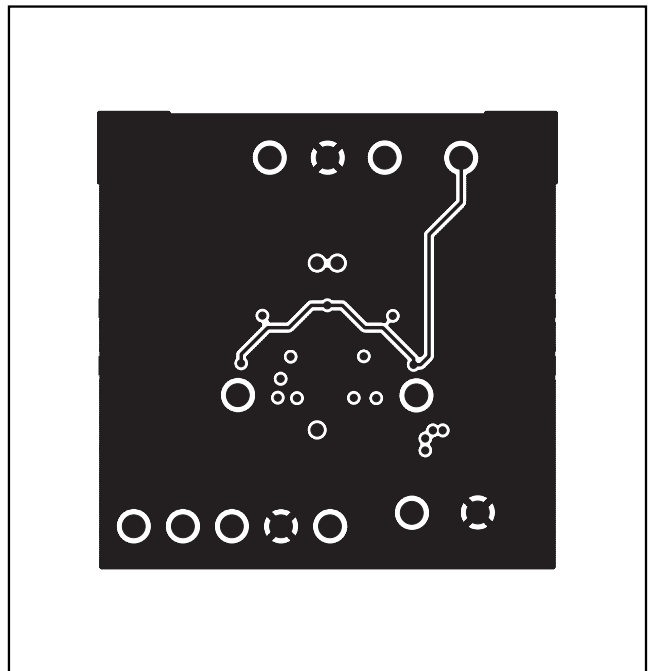


Figure 11. MAX2016 EV Kit PCB Layout—Bottom Layer Metal

MAX2016 Evaluation Kit

Evaluates: MAX2016

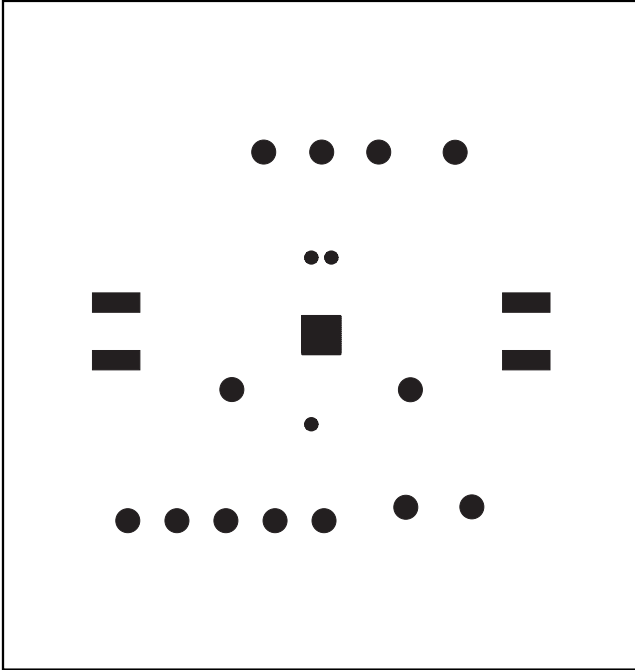


Figure 12. MAX2016 EV Kit PCB Layout—Bottom Solder Mask

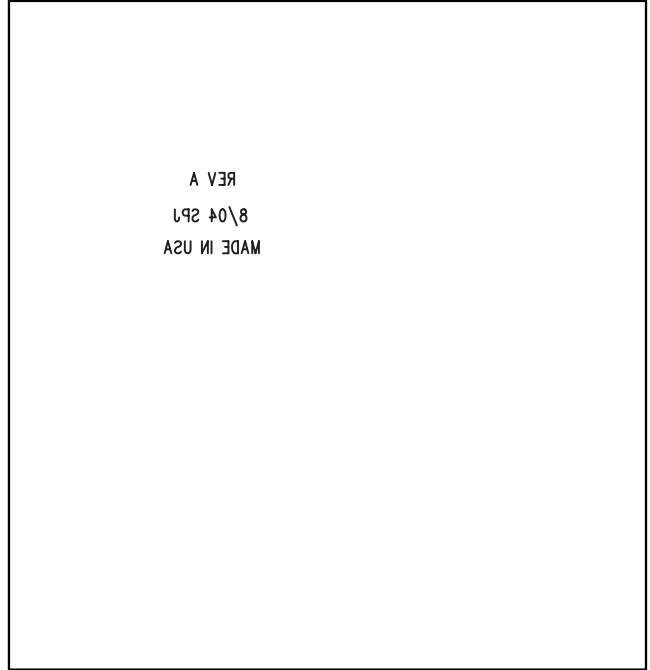


Figure 13. MAX2016 EV Kit PCB Layout—Bottom Silkscreen

Revision History

Pages changed at Rev 1: 1–9

Maxim cannot assume responsibility for use of any circuitry other than circuitry entirely embodied in a Maxim product. No circuit patent licenses are implied. Maxim reserves the right to change the circuitry and specifications without notice at any time.

Maxim Integrated Products, 120 San Gabriel Drive, Sunnyvale, CA 94086 408-737-7600 _____ 9