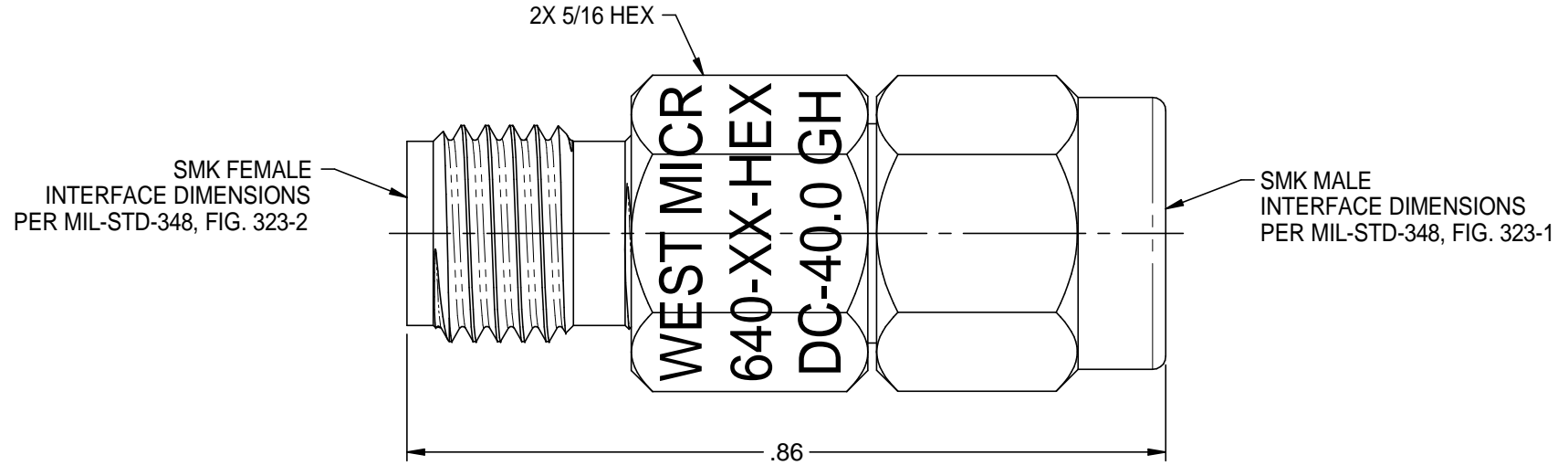
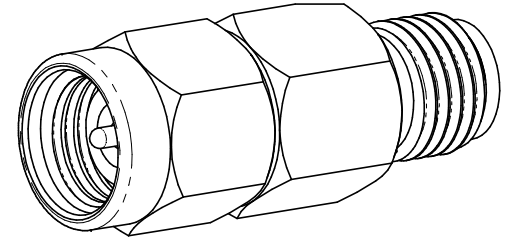


ATTENUATION ACCRACY		
dB VALUE	DC - 18 GHz	18 - 40 GHz
3 & 6	±0.5 dB	±0.8 dB
10 & 20	±0.6 dB	±1.0 dB



NOTES: UNLESS OTHERWISE SPECIFIED.

1. SPECIFICATIONS:

- 1.1 FREQUENCY RANGE: DC - 40 GHz
- 1.2 ATTENUATION ACCURACY: SEE TABLE
- 1.3 VSWR (MAX):
  - DC - 18 GHz: 1.30:1
  - 18 - 40 GHz: 1.40:1
- 1.4 INPUT RANGE POWER: 1 WATT AVG. AT 25°C DERATED LINEARLY TO 0.5 WATTS AT 125°C.
- 1.5 OPERATION TEMP. RANGE: -65C TO 125°C
- 1.6 FINISH: PASSIVATED: STAINLESS STEEL.

		<b>Midwest Microwave</b>	
	<b>RoHS</b> 2002/95/EC		
<small>This PROPRIETARY Document is property of Emerson Network Power. Connectivity Solutions. It is confidential, non-transferable, and issued with the clear understanding that it is not tracked or copied without permission and is retrievable upon demand.</small>	<small>UNLESS OTHERWISE SPECIFIED</small> UNITS: INCH .XX ±.02 .XXX ±.005 ANGLES ±2°	Model No. ATT-0640-XX-HEX-02	
<small>INTERPRET DRAWING IN ACCORDANCE WITH ASME Y14.5-2009.</small>	Size A	DO NOT SCALE DRAWING	Date: 4/9/2013
			Sheet 1 of 1