

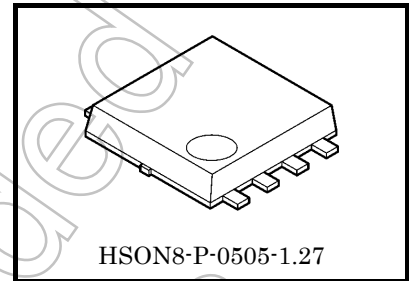
TB7109F

Power supply IC for LNB

The TB7109F is single chip power supply ICs for LNB that integrated buck DC-DC converter section utilizing a chopper circuit and series regulator section. The TB7109F contains high-speed P-channel MOSFETs for the high side main switch to achieve high efficiency. And series regulator section is fed into a overcurrent circuit of fold buck type, and it protects this product from the short circuit state of the load.

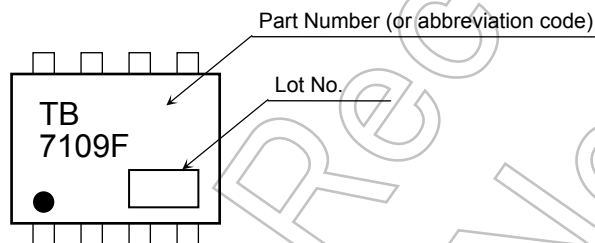
Features

- Output current: DC-DC Converter section $I_{OUT1} = 500\text{mA}(\text{max.})$
Series Regulator section $I_{OUT2} = 400\text{mA}(\text{max.})$
- High efficiency: DC-DC Converter section $\eta = 95\%(\text{typ.})$ (@ $V_{IN1} = 24\text{V}$, $V_{OUT1} = 17\text{V}$, $I_{OUT1} = 300\text{mA}$)
- Operating input voltage range: $V_{IN1} = 8\text{V}$ to 27V
- On-state resistance: $R_{DS(ON)} = 0.7\Omega$ (high-side) typical (@ $V_{IN1} = 24\text{V}$, $T_j = 25^\circ\text{C}$)
- Oscillation frequency: $f_{OSC} = 400\text{kHz}(\text{typ.})$
- Reference voltage: $V_{REF} = 1.215\text{V} \pm 2.9\%$ (@ $T_j = 25^\circ\text{C}$)
- Housed in a small surface-mount package (SOP Advance) with a low thermal resistance
- Soft-start feature
- Overcurrent protection: fold buck type for the Series Regulator section
 $I_{LIMIT(1)} = 550\text{mA}(\text{typ.})$ (@ $V_{IN2} = 17\text{V}$, $V_{OUT2} = 12.5\text{V}$), $I_{LIMIT(2)} = 100\text{mA}(\text{typ.})$ (@ $V_{IN2} = 17\text{V}$, $V_{OUT2} = 0\text{V}$)



Weight: 0.068 g (typ.)

Part Marking



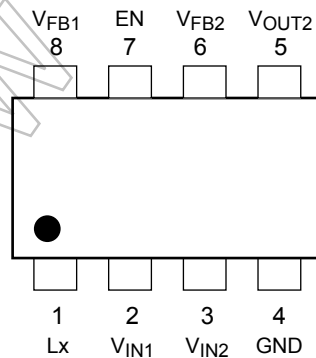
The dot (•) on the top surface indicates pin 1.

The lot number consists of three digits. The first digit represents the last digit of the year of manufacture, and the following two digits indicates the week of manufacture between 01 and either 52 or 53.



Manufacturing week code
(The first week of the year is 01; the last week is 52 or 53.)
Manufacturing year code (last digit of the year of manufacture)

Pin Assignment



This product has a MOS structure and is sensitive to electrostatic discharge. Handle with care.

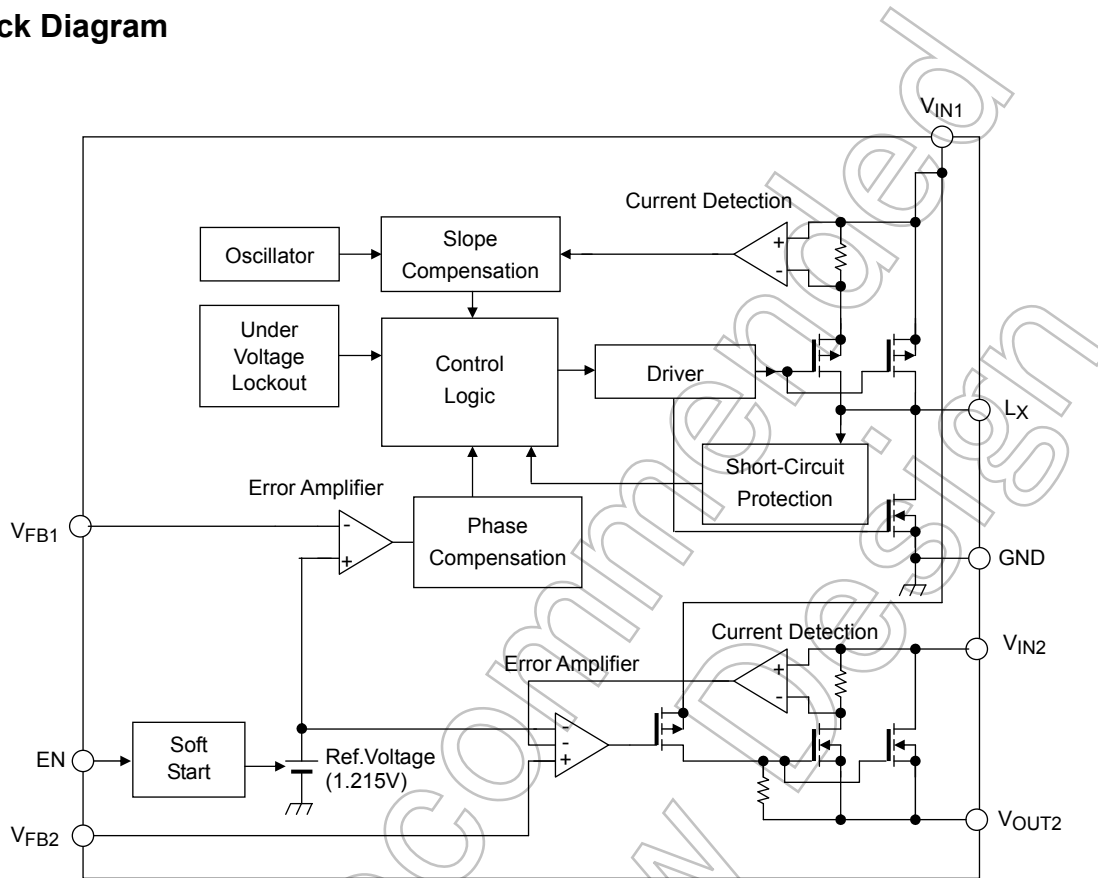
The product(s) in this document (“Product”) contain functions intended to protect the Product from temporary small overloads such as minor short-term overcurrent, or overheating. The protective functions do not necessarily protect Product under all circumstances. When incorporating Product into your system, please design the system (1) to avoid such overloads upon the Product, and (2) to shut down or otherwise relieve the Product of such overload conditions immediately upon occurrence. For details, please refer to the notes appearing below in this document and other documents referenced in this document.

Start of commercial production
2011-01

Ordering Information

Part Number	Shipping
TB7109F (TE12L, Q)	Embossed tape (3000 units per reel)

Block Diagram



Pin Description

Pin No.	Symbol	Description
1	L _X	Switch pin This pin is connected to high-side P-channel MOSFET.
2	V _{IN1}	Input pin This pin is placed in the standby state if V _{EN} ="L". Standby current is 70 μA(@ V _{IN} = 24V) or less.
3	V _{IN2}	Input pin for the Series Regulator section. It uses on the condition of V _{IN1} ≥ V _{IN2} .
4	GND	Ground pin
5	V _{OUT2}	Output pin for the Series Regulator section
6	V _{FB2}	Feedback pin for the Series Regulator section This input is fed into an internal error amplifier with a reference voltage of 1.215 V (typ.).
7	EN	Enable pin When V _{EN} ≥ 1.8V (@ V _{IN1} = 24V), the internal circuitry is allowed to operate and thus enable the switching operation of the output section. When V _{EN} ≤ 0.5V (@ V _{IN1} = 24V), the internal circuitry is disabled, putting the TB7109F in Standby mode. This pin has an internal pull-up current of 15μA(typ.).
8	V _{FB1}	Feedback pin for the DC-DC Converter section This input is fed into an internal error amplifier with a reference voltage of 1.215 V (typ.).

Absolute Maximum Ratings (Ta = 25°C) (Note)

Characteristics	Symbol	Rating	Unit
Input pin voltage	V _{IN1}	-0.3~30	V
Input pin voltage	V _{IN2}	-0.3~30	V
Switch pin voltage (Note 1)	V _{LX}	-0.3~30	V
Feedback1 pin voltage	V _{FB1}	-0.3~30	V
Feedback2 pin voltage	V _{FB2}	-0.3~30	V
Enable pin voltage	V _{EN}	-0.3~30	V
Switch pin current	I _{LX}	-0.75	A
Output pin current	I _{OUT2}	-0.5	A
Power dissipation (Note 2)	P _D	2.2	W
Operating junction temperature	T _{jopr}	-40 to 125	°C
Junction temperature (Note 3)	T _j	150	°C
Storage temperature	T _{stg}	-55 to 150	°C

Thermal Resistance Characteristics

Characteristics	Symbol	Max	Unit
Thermal resistance, junction to ambient	R _{th(j-a)}	44.6 (Note 2)	°C/W
Thermal resistance, junction to case (Tc=25°C)	R _{th(j-c)}	4.17	°C/W

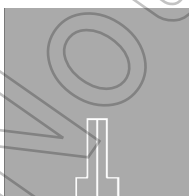
Note: Using continuously under heavy loads (e.g. the application of high temperature/current/voltage and the significant change in temperature, etc.) may cause this product to decrease in the reliability significantly even if the operating conditions (i.e. operating temperature/current/voltage, etc.) are within the absolute maximum ratings and the operating ranges.

Please design the appropriate reliability upon reviewing the Toshiba Semiconductor Reliability Handbook ("Handling Precautions"/"Derating Concept and Methods") and individual reliability data (i.e. reliability test report and estimated failure rate, etc)

Note 1: The switch pin voltage (V_{LX}) doesn't include the peak voltage generated by TB7109F's switching. A negative voltage generated in dead time is permitted among the switch pin current (I_{LX}).

Note 2:

Glass epoxy board



FR-4
25.4 × 25.4 × 0.8
(Unit: mm)

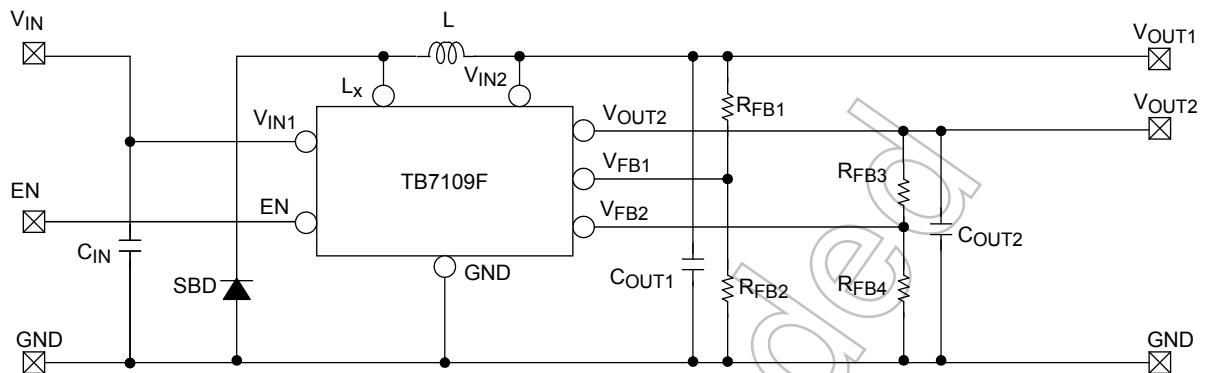
Single-pulse measurement: pulse width t=10(s)

Note 3: The TB7109F may go into thermal shutdown at the rated maximum junction temperature. Thermal design is required to ensure that the rated maximum operating junction temperature, T_{jopr}, will not be exceeded.

Electrical Characteristics (T_j = 25°C, V_{IN1} = V_{IN2} = 8V to 27V, unless otherwise specified)

Characteristics		Symbol	Test Condition	Min	Typ.	Max	Unit
Operating input voltage		V _{IN1(OPR)}	—	8	—	27	V
Operating current		I _{IN1}	V _{IN1} = 24V, V _{EN} = 5V V _{FB1} = 2V	—	—	5	mA
Standby current		I _{IN1(STBY)}	V _{IN1} = 24V, V _{EN} = 0V V _{FB1} = 0.8V	—	—	70	μA
EN threshold voltage		V _{IH(EN)}	V _{IN1} = 24V	1.8	—	—	V
		V _{IL(EN)}	V _{IN1} = 24V	—	—	0.5	
EN input current		I _{IH(EN)}	V _{IN1} = 24V, V _{EN} = 5V	-5	—	5	μA
		I _{IL(EN)}	V _{IN1} = 24V, V _{EN} = 0V	—	-15	—	
Thermal shutdown (TSD)	Detection temperature	T _{SD}	V _{IN1} = 24V, V _{EN} = 5V	—	155	—	°C
	Hysteresis	ΔT _{SD}	V _{IN1} = 24V, V _{EN} = 5V	—	10	—	°C
Undervoltage lockout (UVLO)	Detection voltage	V _{UV}	V _{EN} = 5V	4.6	5.3	6.0	V
	Recovery voltage	V _{UVR}	V _{EN} = 5V	5.3	6.0	6.7	V
	Hysteresis	ΔV _{UV}	V _{EN} = 5V	—	0.7	—	V
Internal soft-start time		t _{SS}	V _{IN1} = 24V, V _{EN} = 5V, I _{OUT1} = 0A Measured between 0% and 90% points at V _{OUT1}	1.2	2.5	4	ms
Reference voltage		V _{REF}	V _{IN1} = 24V, V _{EN} = 5V	1.18	1.215	1.25	V
DC-DC Converter section							
V _{FB} input voltage		V _{FB1}	V _{IN1} = 24V, V _{EN} = 5V	—	1.215	—	V
V _{FB} input current		I _{FB1}	V _{IN1} = 24V, V _{EN} = 5V, V _{FB1} = 2V	-1	—	1	μA
Output voltage range		V _{OUT1(OPR)}	V _{EN} = V _{IN1}	1.215	—	V _{IN1-3}	V
High-side switch leakage current		I _{LEAK(H)}	V _{IN1} = 24V, V _{EN} = 0V V _{FB1} = 0V, V _{LX} = 0V	—	—	10	μA
High-side switch on-state resistance		R _{DSON(H)}	V _{IN1} = 24V, V _{EN} = 5V, I _{LX} = -0.1A	—	0.7	—	Ω
Low-side switch on-state resistance		R _{DSON(L)}	V _{IN1} = 24V, V _{EN} = 5V, I _{LX} = 0.1A	—	5	—	Ω
Oscillation frequency		f _{OSC}	V _{IN1} = 24V, V _{EN} = 5V	320	400	480	kHz
High-side switch duty cycle		D _{max}	V _{IN1} = 24V, V _{EN} = 5V	—	—	100	%
L _X current limit		I _{LIM1}	V _{IN1} = 24V, V _{EN} = 5V V _{OUT1} = 17V	0.75	0.9	—	A
Series Regulator section							
Dropout voltage		V _{IN2-VOUT2}	V _{OUT2} = 15V, I _{OUT2} = 400mA	—	—	1	V
V _{FB} input voltage		V _{FB2}	V _{IN1} = 24V, V _{EN} = 5V	—	1.215	—	V
V _{FB} input current		I _{FB2}	V _{IN1} = 24V, V _{IN2} = 17V V _{FB2} = 2V, V _{EN} = 5V	-5	—	-5	μA
Load regulation		Reg · Load	V _{IN1} = 24V, V _{IN2} = 17V, V _{OUT2} = 15V I _{OUT2} = 5mA to 400mA	—	—	150	mV
V _{OUT2} current limit		I _{LIM2(1)}	V _{IN1} = 24V, V _{IN2} = 17V V _{FB2} = 1V, V _{OUT2} = 12.5V	400	550	—	mA
		I _{LIM2(2)}	V _{IN1} = 24V, V _{IN2} = 17V V _{FB2} = 0V, V _{OUT2} = 0V	—	100	—	mA

Application Circuit Example 1



Component values (reference value@ $V_{IN1} = 24V$, $V_{OUT1} = 17.4V$, $V_{OUT2} = 15.8V$, $T_a = 25^\circ C$)

C_{IN} : V_{IN1} Input filter capacitor = $4.7\mu F$

(ceramic capacitor: GRM31CR71H475KA12L manufactured by Murata Manufacturing Co., Ltd.)

C_{OUT1} : V_{OUT1} Output filter capacitor = $4.7\mu F$

(ceramic capacitor: GRM31CR71H475KA12L manufactured by Murata Manufacturing Co., Ltd.)

C_{OUT2} : V_{OUT2} Output capacitor = $4.7\mu F$

(ceramic capacitor: GRM31CR71H475KA12L manufactured by Murata Manufacturing Co., Ltd.)

R_{FB1} : Output voltage setting resistor for the DC-DC converter section = $20k\Omega$

R_{FB2} : Output voltage setting resistor for the DC-DC converter section = $1.5k\Omega$

R_{FB3} : Output voltage setting resistor for the Series regulator section = $18k\Omega$

R_{FB4} : Output voltage setting resistor for the Series regulator section = $1.5k\Omega$

L : Inductor = $22\mu H$ (SLF7055T-220M2R5-3PF manufactured by TDK-EPC Corporation)

SBD : Schottky barrier diode(CRS20I40B manufactured by Toshiba Corporation)

Application Circuit Example 2

- Output voltage switch function, BS/CS power supply circuit for LNB

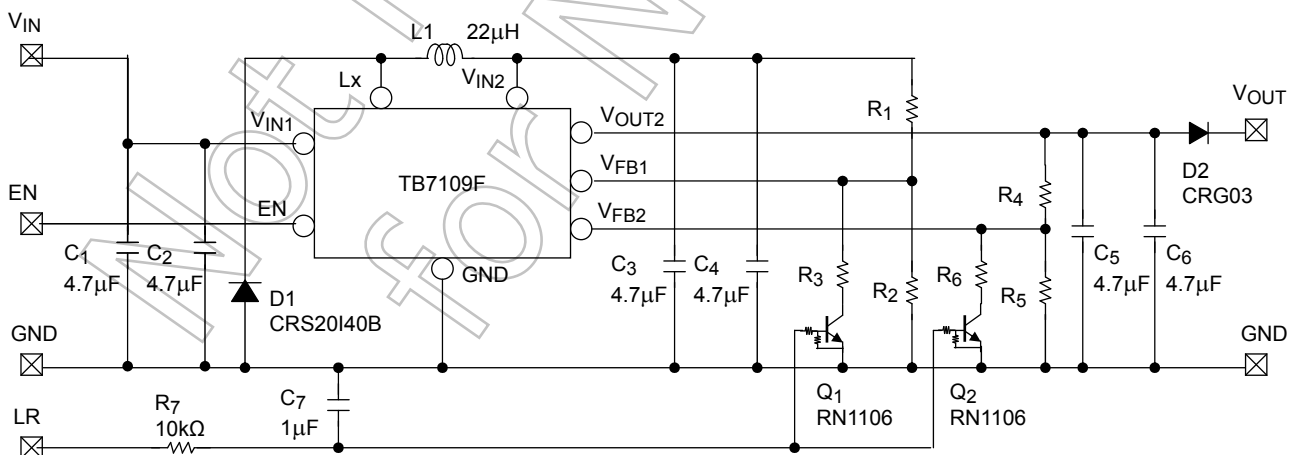


Figure 1 TB7109F Application Circuit Examples

Application Notes

DC-DC Converter section

Inductor Selection

The inductance required for inductor L can be calculated as follows:

$$L = \frac{V_{IN1} - V_{OUT1}}{f_{OSC} \cdot \Delta I_L} \cdot \frac{V_{OUT1}}{V_{IN1}} \dots\dots\dots(1)$$

V_{IN1} : Input voltage (V)
 V_{OUT1} : Output voltage (V)
 f_{OSC} : Oscillation frequency = 400kHz (typ.)
 ΔI_L : Inductor ripple current (A)

*: ΔI_L should be set to approximately 0.5A. The inductor should have a current rating greater than the peak output current of 0.75A. If the inductor current rating is exceeded, the inductor becomes saturated, leading to an unstable DC-DC converter operation.

When $V_{IN1} = 24V$ and $V_{OUT1} = 17V$, the required inductance can be calculated as follows. Be sure to select an appropriate inductor, taking the input voltage range into account.

$$L = \frac{V_{IN1} - V_{OUT1}}{f_{OSC} \cdot \Delta I_L} \cdot \frac{V_{OUT1}}{V_{IN1}}$$

$$= \frac{24V - 17V}{400kHz \cdot 0.5A} \cdot \frac{17V}{24V}$$

$$= 24.8 \mu H$$

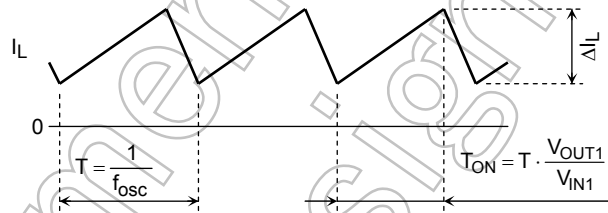


Figure 2 Inductor Current Waveform

Setting the Output Voltage

A resistive voltage divider is connected as shown in Figure 3 to set the output voltage; it is given by Equation 2 based on the reference voltage of the error amplifier (1.215V typ.), which is connected to the Feedback pin, VFB. RFB2 should be up to 10kΩ or so, because an extremely large-value RFB2 incurs a delay due to parasitic capacitance at the VFB1 pin. It is recommended that resistors with a precision of ±1% or higher be used for RFB1 and RFB2.

$$V_{OUT1} = V_{FB1} \times \left(1 + \frac{R_{FB1}}{R_{FB2}} \right)$$

$$= 1.215V \times \left(1 + \frac{R_{FB1}}{R_{FB2}} \right) \dots\dots(2)$$

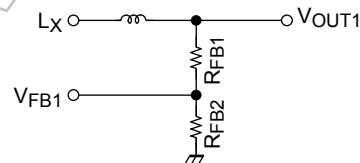


Figure 3 Output Voltage Setting Resistors

Output Filter Capacitor Selection

Use a low-ESR electrolytic or ceramic capacitor as the output filter capacitor. Since a capacitor is generally sensitive to temperature, choose one with excellent temperature characteristics. When the output voltage exceeds 10V, the capacitance should be 4.7μF or greater for applications. The capacitance should be set to an optimal value that meets the system's ripple voltage requirement and transient load response characteristics.

Rectifier Selection

A Schottky barrier diode should be externally connected to the TB7109F as a rectifier between the L_X and GND pins. It is recommended CRS20I40B or equivalent be used as Schottky barrier diode. If a large voltage overshoot is on the L_X pin, it reduces the voltage to connect a series CR network consisting of a resistor of R_S = 47Ω and a capacitor of C_S = 330pF with the Schottky barrier diode in parallel. Power loss of the Schottky barrier diode tends to increase due to an increased reverse current caused by the rise in ambient temperature and self-heating due to a supplied current. The rated current should therefore be derated to allow for such conditions in selecting an appropriate diode.

Overcurrent Protection (OCP)

The TB7109F has built-in overcurrent protection with pulse skip. When the peak current of Lx pin exceeds $I_{LIM1}=0.9A(\text{typ.})(@V_{IN1}=24V)$, the ON time of the high-side switch (internal) will be limited. Switching frequency will be reduced and output current will be restricted further if output voltage falls and the voltage of VFB1 pin drops below the overcurrent pulse skip detection voltage V_{LOC} (0.5V typ.) during overcurrent protection .

Series Regulator section

Overcurrent Protection (OCP)

TB7109F is fed into a overcurrent circuit of fold buck type, and it protects this product from the overcurrent state of the load.

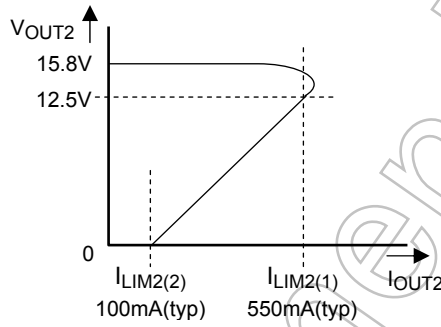


Figure 4 Overcurrent Protection Operation

Setting the Output Voltage

A resistive voltage divider is connected as shown in Figure 5 to set the output voltage; it is given by Equation 3 based on the reference voltage of the error amplifier (1.215V typ.), which is connected to the Feedback pin, VFB2. RFB4 should be up to 10kΩ or so, because an extremely large-value RFB4 incurs a delay due to parasitic capacitance at the VFB2 pin. It is recommended that resistors with a precision of ±1% or higher be used for RFB3 and RFB4.

$$\begin{aligned}
 V_{OUT2} &= V_{FB2} \times \left(1 + \frac{R_{FB3}}{R_{FB4}} \right) \\
 &= 1.215 \text{ V} \times \left(1 + \frac{R_{FB3}}{R_{FB4}} \right) \dots\dots(3)
 \end{aligned}$$

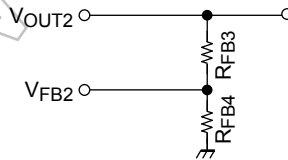


Figure 5 Output Voltage Setting Resistors

Output Filter Capacitor Selection

Use a ceramic capacitor as the output filter capacitor. As a rule of thumb, its capacitance should be 4.7μF or greater. Since a capacitor is generally sensitive to temperature, choose one with excellent temperature characteristics. The IC may oscillate due to external conditions (output current, or temperature etc.). The type of capacitor required must be determined by the actual application circuit in which the IC is used.

Note on Electrical Characteristics

Soft-Start Feature

The TB7109F has a soft-start feature. The soft-start time, t_{ss} for V_{OUT1} and V_{OUT2} defaults to 2.5ms (typ.) internally.

The soft-start feature is activated when the TB7109F exits the undervoltage lockout (UVLO) state after power-up and when the voltage at the EN pin has changed from logic low to logic high.

Thermal Shutdown (TSD)

The TB7109F provides thermal shutdown. When the junction temperature continues to rise and reaches T_{SD} (155°C typ.), the TB7109F goes into thermal shutdown and shuts off the power supply. TSD has a hysteresis of about 10°C (typ.). The device is enabled again when the junction temperature has dropped by approximately 10°C from the TSD trip point. The device resumes the power supply when the soft-start circuit is activated upon recovery from TSD state.

Thermal shutdown is intended to protect the device against abnormal system conditions. It should be ensured that the TSD circuit will not be activated during normal operation of the system.

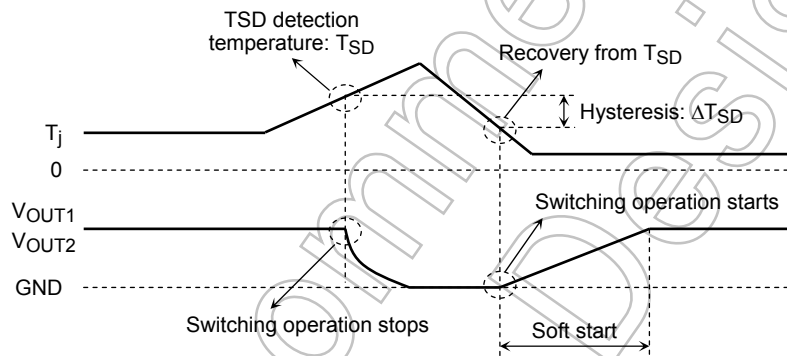


Figure 7 Thermal Shutdown Operation

Undervoltage Lockout (UVLO)

The TB7109F has undervoltage lockout (UVLO) protection circuitry. The TB7109F does not provide output voltage (V_{OUT1} and V_{OUT2}) until the input voltage (V_{IN1}) has reached V_{UVR} (6.0V typ.). UVLO has hysteresis of 0.7V (typ.). After the switch turns on, if V_{IN1} drops below V_{UV} (5.3V typ.), UVLO shuts off the switch at V_{OUT1} and V_{OUT2} .

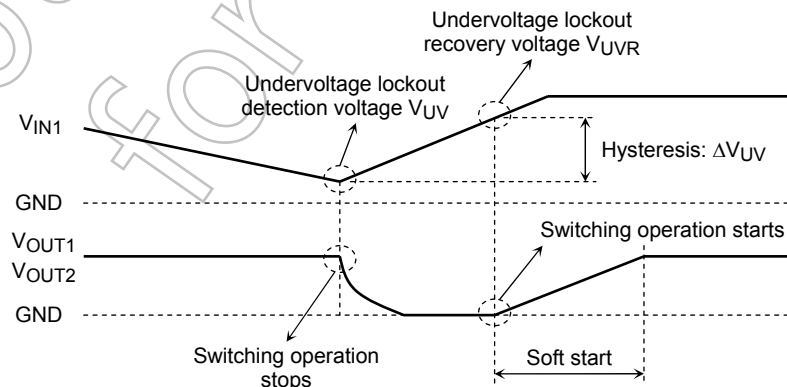


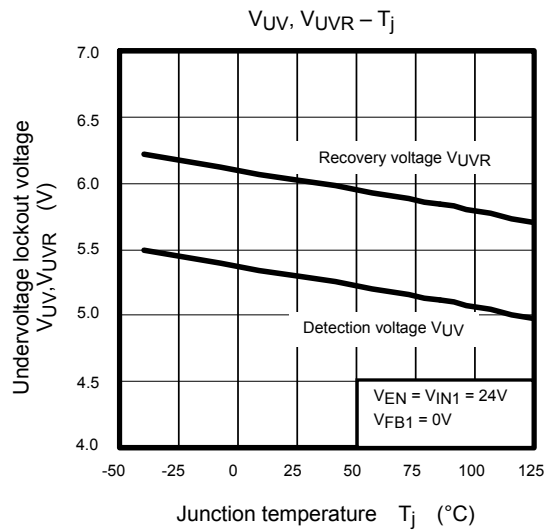
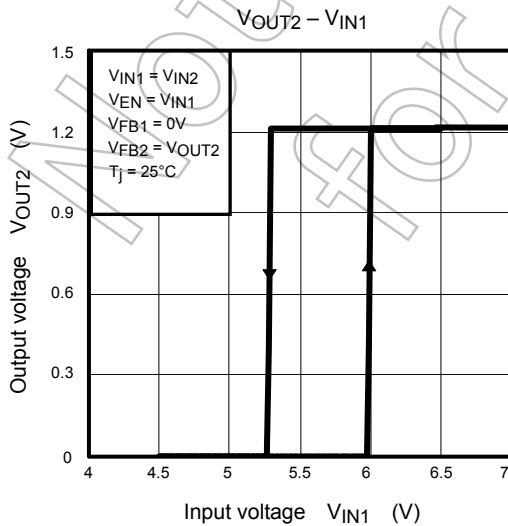
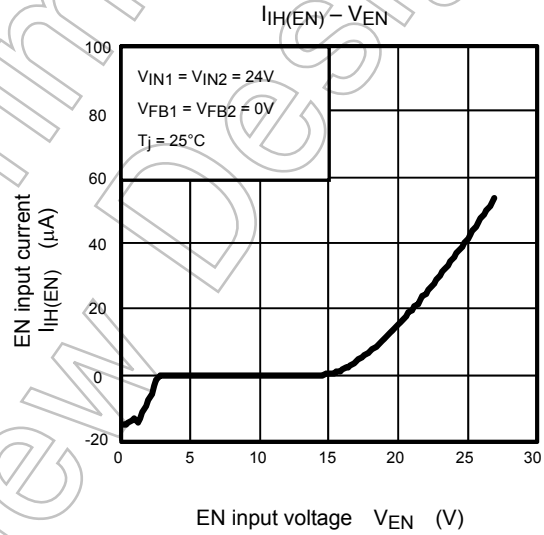
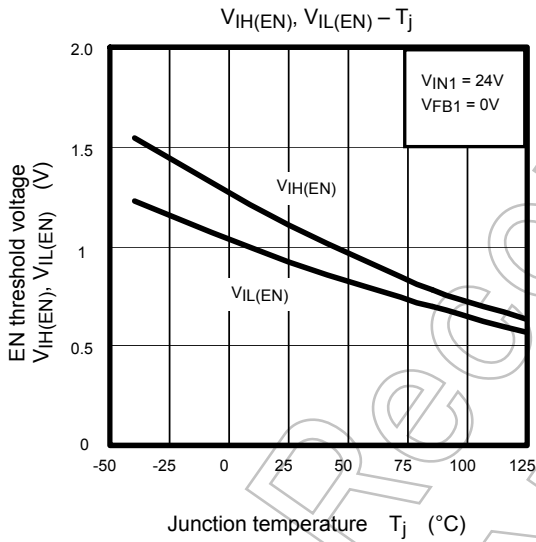
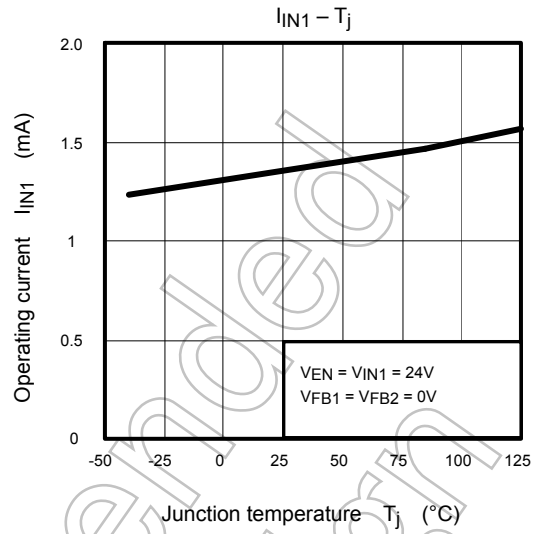
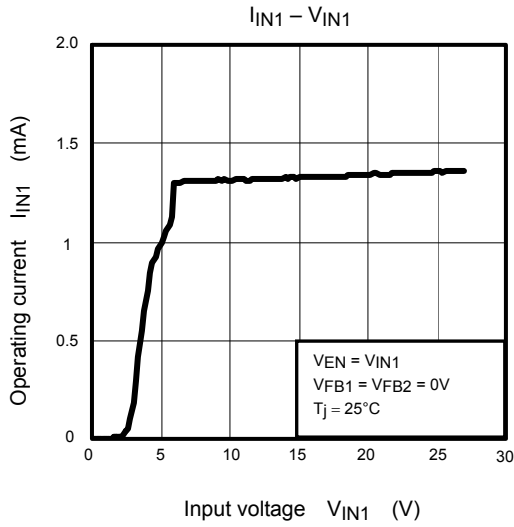
Figure 8 Undervoltage Lockout Operation

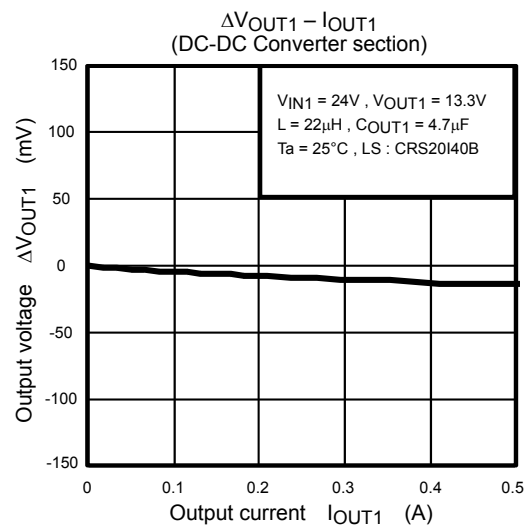
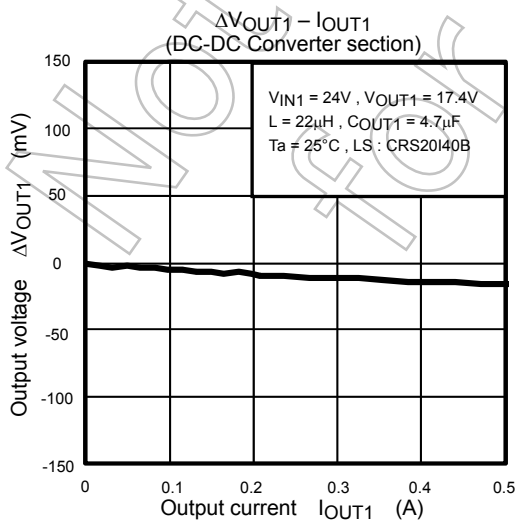
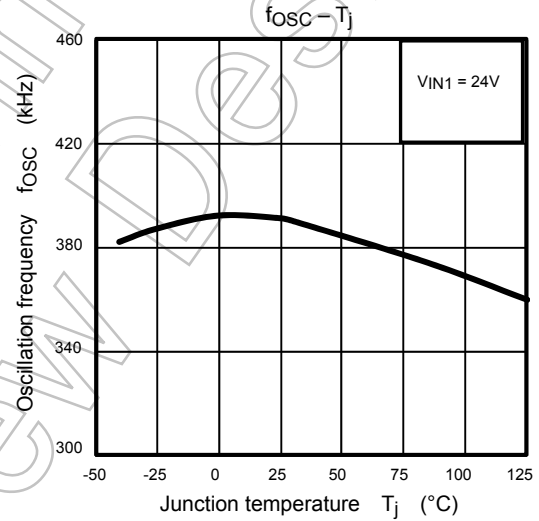
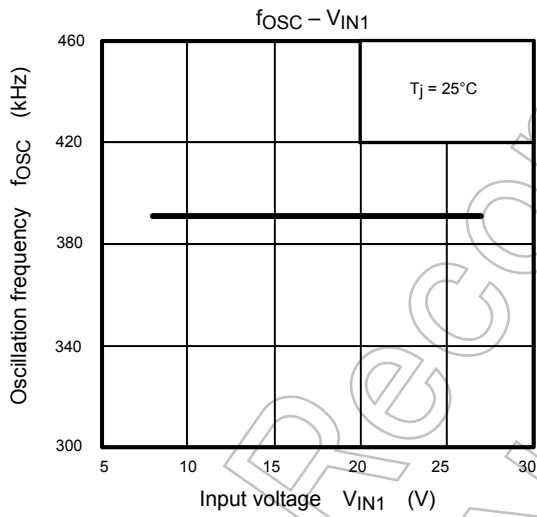
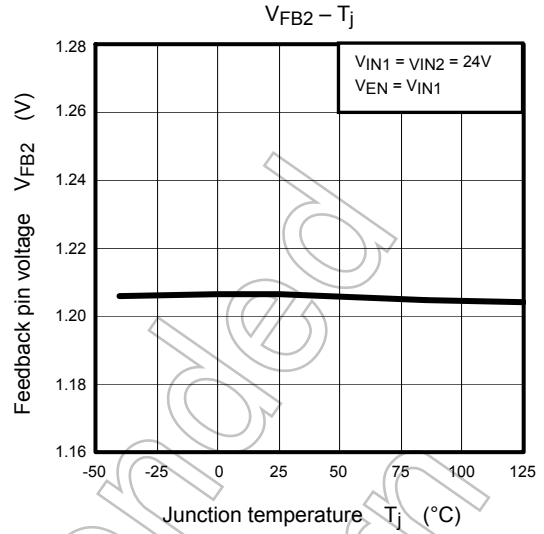
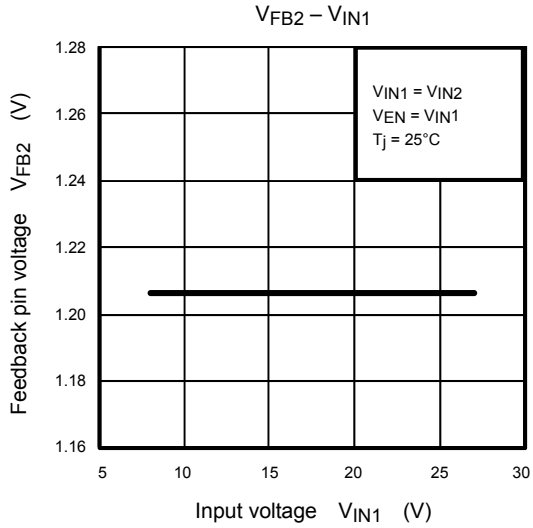
Usage Precautions

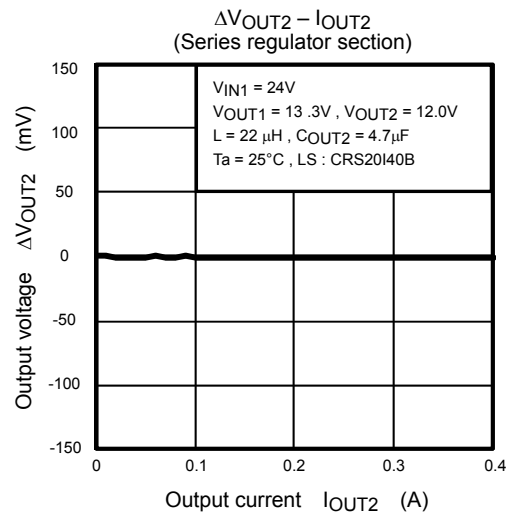
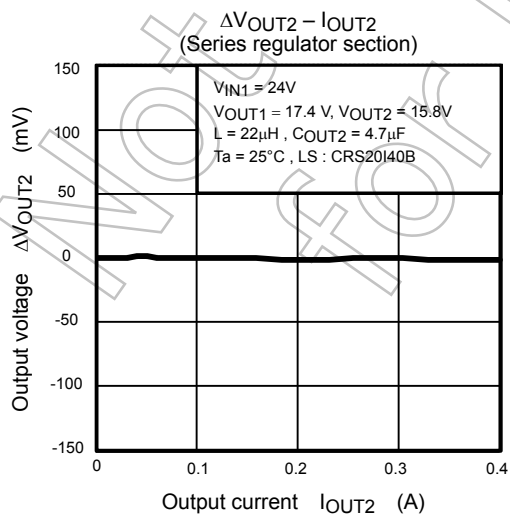
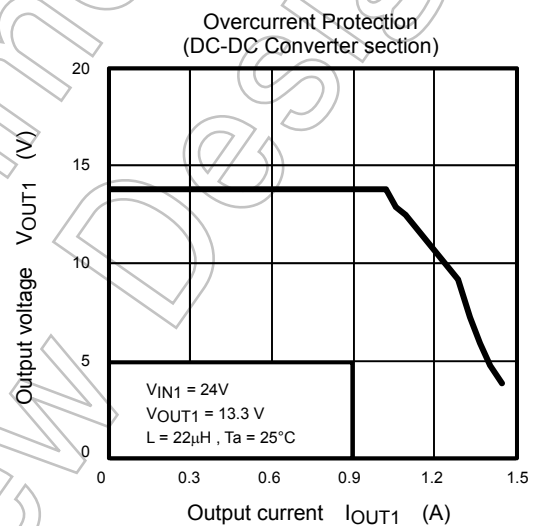
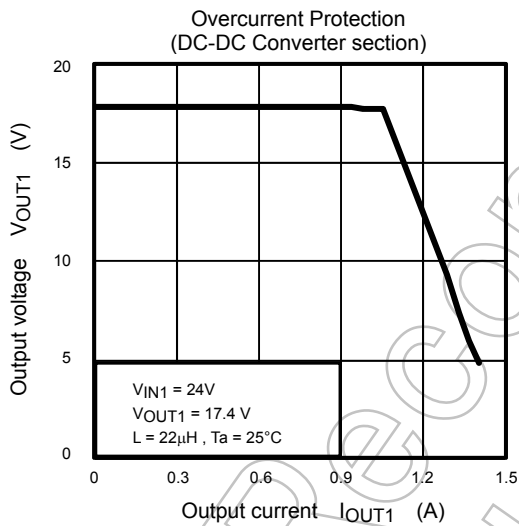
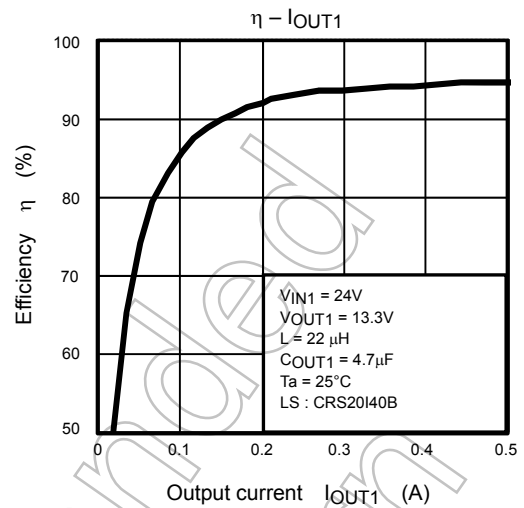
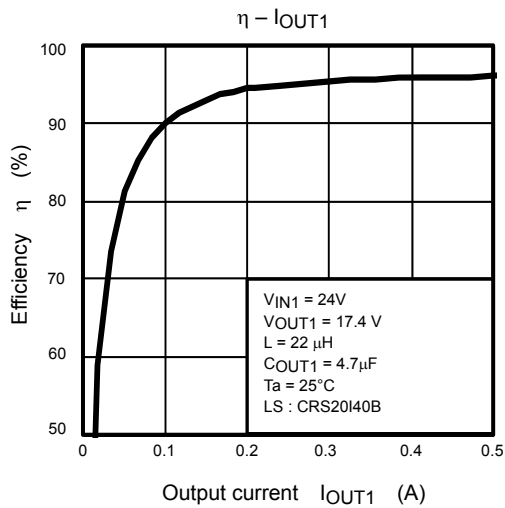
- The input voltage, output voltage, output current and temperature conditions should be considered when selecting capacitors, inductors and resistors. These components should be evaluated on an actual system prototype for best selection.
- Parts of this product in the surrounding are examples of the representative, and the supply might become impossible. Please confirm latest information when using it.
- External components such as capacitors, inductors and resistors should be placed as close to the TB7109F as possible.
- C_{IN} should be connected as close to the GND and V_{IN1} pins as possible. Operation might become unstable due to a board layout and a characteristics of capacitance.
- The minimum programmable output voltage is 1.215V (typ.). If the difference between the input and output voltages is small, the output voltage might not be regulated accurately and fluctuate significantly.
- GND(4) pin is connected with the back of IC chip and serves as the heat radiation pin. Secure the area of a GND pattern as large as possible for greater of heat radiation.
- The overcurrent protection circuits in the Product are designed to temporarily protect Product from minor overcurrent of brief duration. When the overcurrent protective function in the Product activates, immediately cease application of overcurrent to Product. Improper usage of Product, such as application of current to Product exceeding the absolute maximum ratings, could cause the overcurrent protection circuit not to operate properly and/or damage Product permanently even before the protection circuit starts to operate.
- The thermal shutdown circuits in the Product are designed to temporarily protect Product from minor overheating of brief duration. When the overheating protective function in the Product activates, immediately correct the overheating situation. Improper usage of Product, such as the application of heat to Product exceeding the absolute maximum ratings, could cause the overheating protection circuit not to operate properly and/or damage Product permanently even before the protection circuit starts to operate.

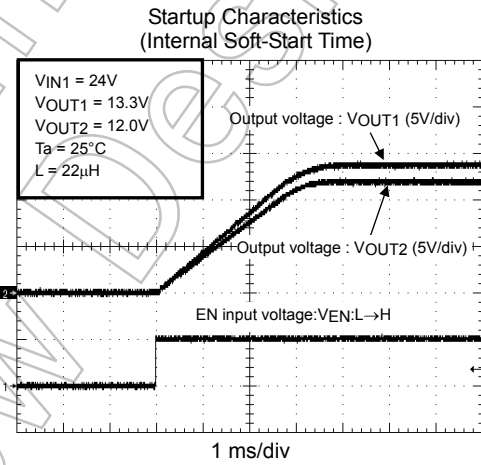
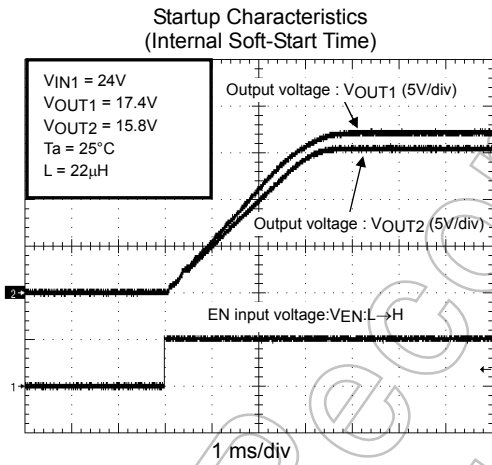
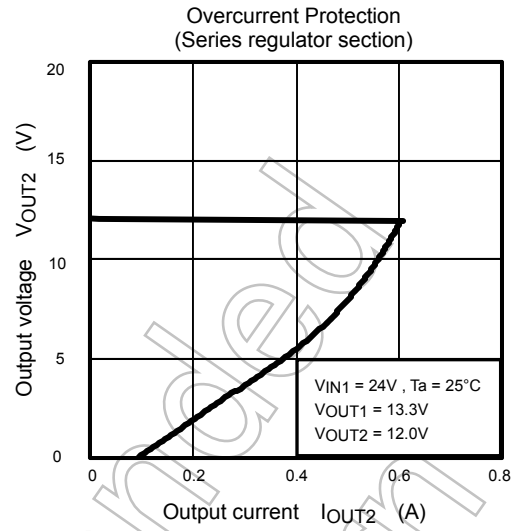
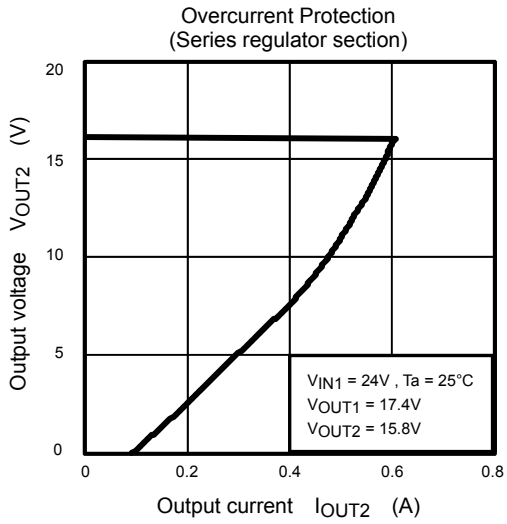
Not Recommended
for New Design

Typical Performance Characteristics





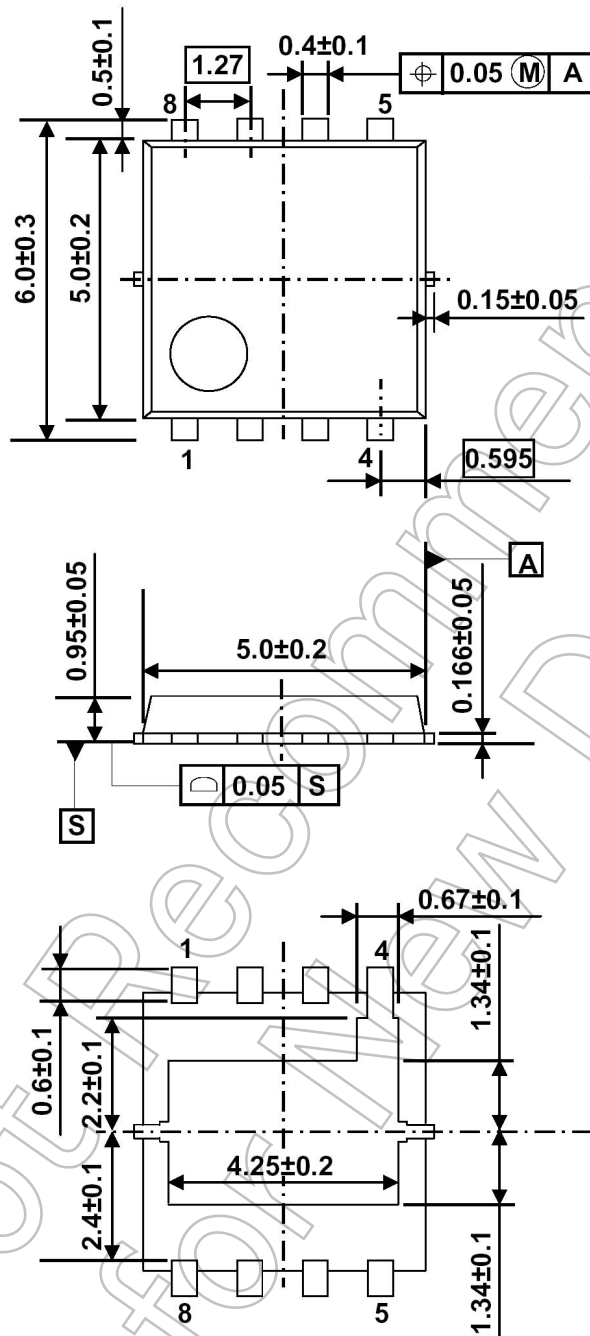




Package Dimensions

HSO8-P-0505-1.27

Unit: mm



Weight: 0.068 g (typ.)

RESTRICTIONS ON PRODUCT USE

- Toshiba Corporation, and its subsidiaries and affiliates (collectively "TOSHIBA"), reserve the right to make changes to the information in this document, and related hardware, software and systems (collectively "Product") without notice.
- This document and any information herein may not be reproduced without prior written permission from TOSHIBA. Even with TOSHIBA's written permission, reproduction is permissible only if reproduction is without alteration/omission.
- Though TOSHIBA works continually to improve Product's quality and reliability, Product can malfunction or fail. Customers are responsible for complying with safety standards and for providing adequate designs and safeguards for their hardware, software and systems which minimize risk and avoid situations in which a malfunction or failure of Product could cause loss of human life, bodily injury or damage to property, including data loss or corruption. Before customers use the Product, create designs including the Product, or incorporate the Product into their own applications, customers must also refer to and comply with (a) the latest versions of all relevant TOSHIBA information, including without limitation, this document, the specifications, the data sheets and application notes for Product and the precautions and conditions set forth in the "TOSHIBA Semiconductor Reliability Handbook" and (b) the instructions for the application with which the Product will be used with or for. Customers are solely responsible for all aspects of their own product design or applications, including but not limited to (a) determining the appropriateness of the use of this Product in such design or applications; (b) evaluating and determining the applicability of any information contained in this document, or in charts, diagrams, programs, algorithms, sample application circuits, or any other referenced documents; and (c) validating all operating parameters for such designs and applications. **TOSHIBA ASSUMES NO LIABILITY FOR CUSTOMERS' PRODUCT DESIGN OR APPLICATIONS.**
- **PRODUCT IS NEITHER INTENDED NOR WARRANTED FOR USE IN EQUIPMENTS OR SYSTEMS THAT REQUIRE EXTRAORDINARILY HIGH LEVELS OF QUALITY AND/OR RELIABILITY, AND/OR A MALFUNCTION OR FAILURE OF WHICH MAY CAUSE LOSS OF HUMAN LIFE, BODILY INJURY, SERIOUS PROPERTY DAMAGE AND/OR SERIOUS PUBLIC IMPACT ("UNINTENDED USE").** Except for specific applications as expressly stated in this document, Unintended Use includes, without limitation, equipment used in nuclear facilities, equipment used in the aerospace industry, medical equipment, equipment used for automobiles, trains, ships and other transportation, traffic signaling equipment, equipment used to control combustions or explosions, safety devices, elevators and escalators, devices related to electric power, and equipment used in finance-related fields. **IF YOU USE PRODUCT FOR UNINTENDED USE, TOSHIBA ASSUMES NO LIABILITY FOR PRODUCT.** For details, please contact your TOSHIBA sales representative.
- Do not disassemble, analyze, reverse-engineer, alter, modify, translate or copy Product, whether in whole or in part.
- Product shall not be used for or incorporated into any products or systems whose manufacture, use, or sale is prohibited under any applicable laws or regulations.
- The information contained herein is presented only as guidance for Product use. No responsibility is assumed by TOSHIBA for any infringement of patents or any other intellectual property rights of third parties that may result from the use of Product. No license to any intellectual property right is granted by this document, whether express or implied, by estoppel or otherwise.
- **ABSENT A WRITTEN SIGNED AGREEMENT, EXCEPT AS PROVIDED IN THE RELEVANT TERMS AND CONDITIONS OF SALE FOR PRODUCT, AND TO THE MAXIMUM EXTENT ALLOWABLE BY LAW, TOSHIBA (1) ASSUMES NO LIABILITY WHATSOEVER, INCLUDING WITHOUT LIMITATION, INDIRECT, CONSEQUENTIAL, SPECIAL, OR INCIDENTAL DAMAGES OR LOSS, INCLUDING WITHOUT LIMITATION, LOSS OF PROFITS, LOSS OF OPPORTUNITIES, BUSINESS INTERRUPTION AND LOSS OF DATA, AND (2) DISCLAIMS ANY AND ALL EXPRESS OR IMPLIED WARRANTIES AND CONDITIONS RELATED TO SALE, USE OF PRODUCT, OR INFORMATION, INCLUDING WARRANTIES OR CONDITIONS OF MERCHANTABILITY, FITNESS FOR A PARTICULAR PURPOSE, ACCURACY OF INFORMATION, OR NONINFRINGEMENT.**
- Do not use or otherwise make available Product or related software or technology for any military purposes, including without limitation, for the design, development, use, stockpiling or manufacturing of nuclear, chemical, or biological weapons or missile technology products (mass destruction weapons). Product and related software and technology may be controlled under the applicable export laws and regulations including, without limitation, the Japanese Foreign Exchange and Foreign Trade Law and the U.S. Export Administration Regulations. Export and re-export of Product or related software or technology are strictly prohibited except in compliance with all applicable export laws and regulations.
- Please contact your TOSHIBA sales representative for details as to environmental matters such as the RoHS compatibility of Product. Please use Product in compliance with all applicable laws and regulations that regulate the inclusion or use of controlled substances, including without limitation, the EU RoHS Directive. **TOSHIBA ASSUMES NO LIABILITY FOR DAMAGES OR LOSSES OCCURRING AS A RESULT OF NONCOMPLIANCE WITH APPLICABLE LAWS AND REGULATIONS.**