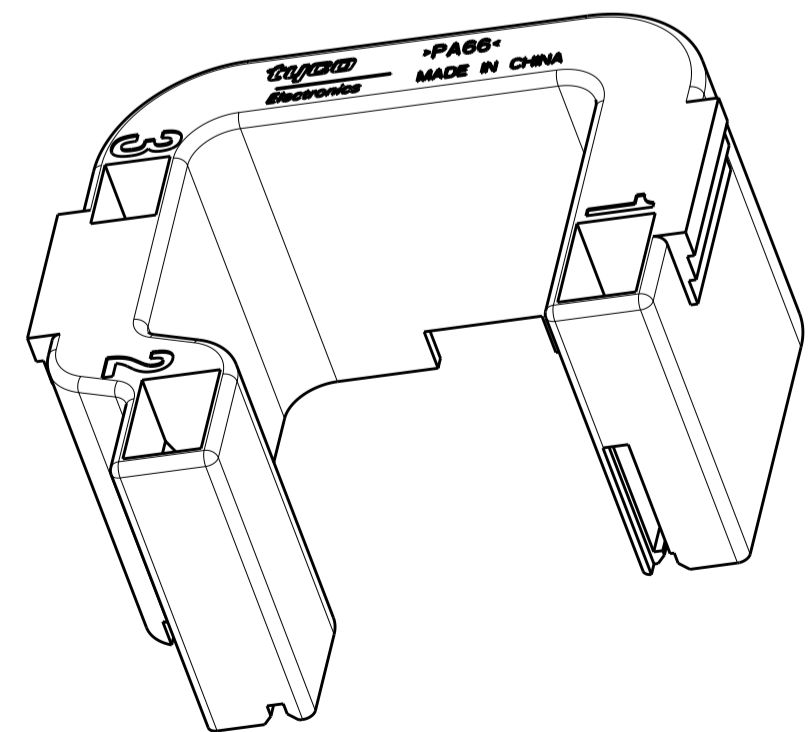
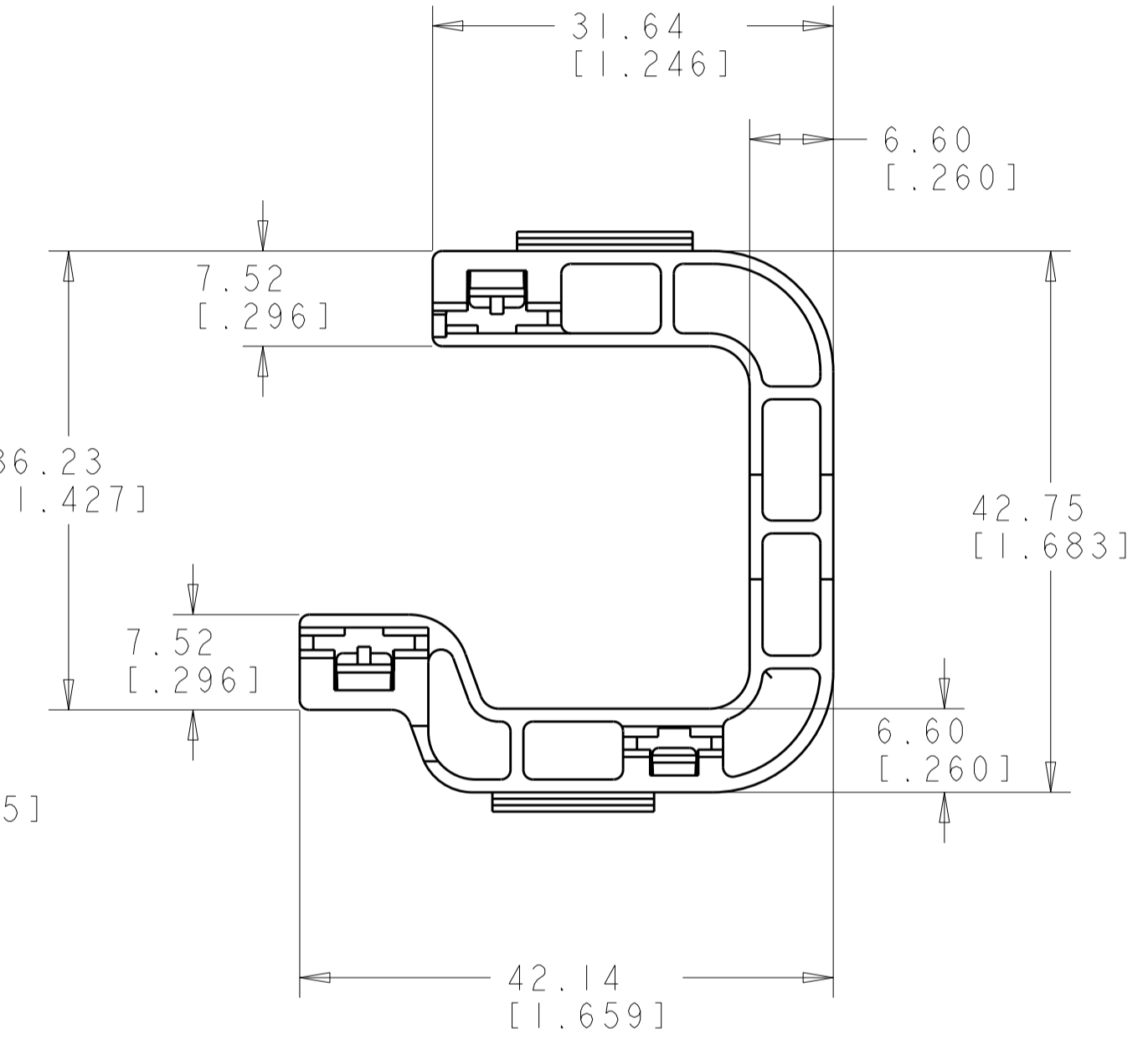
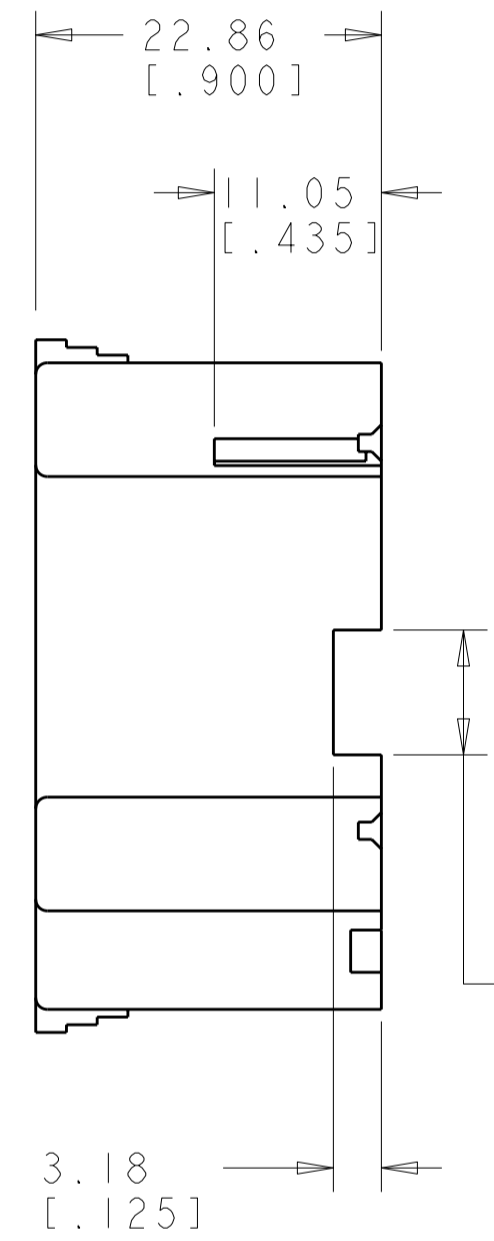
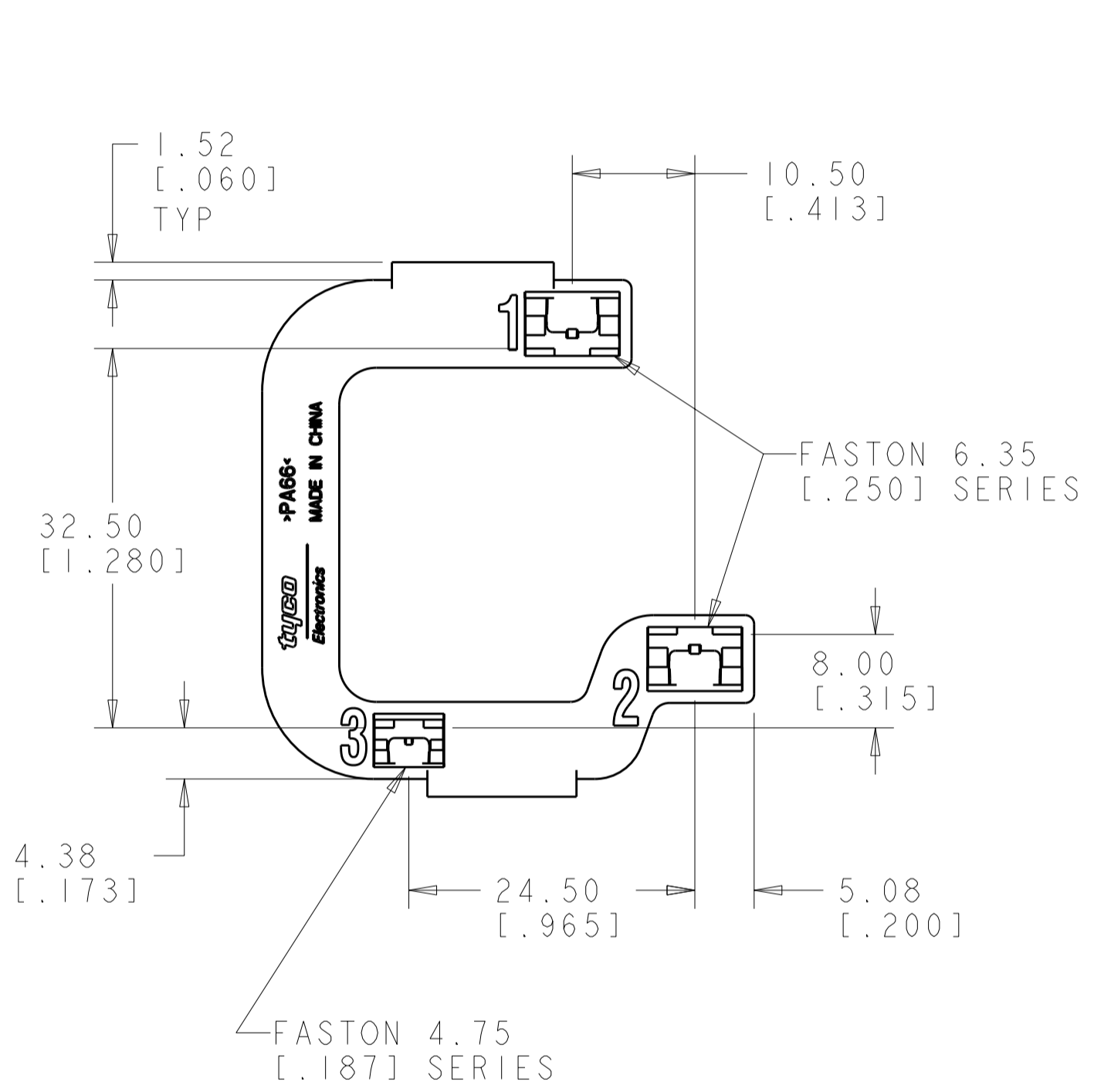


THIS DRAWING IS UNPUBLISHED. RELEASED FOR PUBLICATION 20
 © COPYRIGHT 20 BY TYCO ELECTRONICS CORPORATION. ALL RIGHTS RESERVED.

| LOC | | DIST | | REVISIONS | | | |
|-----|-----|-------------|---------------------------|-----------|------|----|--|
| P | LTR | DESCRIPTION | DATE | DWN | APVD | | |
| AF | 50 | A1 | REVISED PER ECR-10-003745 | 26FE2010 | HMR | PD | |
| | | | | | | | |

1. RECOMMENDED MATING TAB LENGTH IS 9.78 [.385] MIN.
2. RECOMMENDED CENTERLINE SPACING OF TABS TO BE ± 0.127 [.005].
3. MATERIAL: NYLON 66, UL94 V-2, ELECTRICAL RTI 125 °C MIN.



| | |
|---------|-------------|
| NATURAL | 1738473-1 |
| COLOR | PART NUMBER |

| | | | | |
|---|------------|------------------------------|--|---------------------|
| THIS DRAWING IS A CONTROLLED DOCUMENT FOR TYCO ELECTRONICS CORPORATION. IT IS SUBJECT TO CHANGE AND THE CONTROLLING ENGINEERING ORGANIZATION SHOULD BE CONTACTED FOR THE LATEST REVISION. | | DWN: J.C. YOSLER 24OCT2003 | Tyco Electronics Harrisburg, PA 17105-3608 | |
| DIMENSIONS: mm [INCHES] | | CHK: M. LAUERMANN 17NOV2003 | NAME: HOUSING, RECEPTACLE FASTON INFINITE SWITCH C | |
| TOLERANCES UNLESS OTHERWISE SPECIFIED: | | APVD: M. LAUERMANN 02DEC2004 | SIZE: A2 CAGE CODE: 00779 DRAWING NO: 1738473 | |
| 0 PLC ± | 1 PLC ± | PRODUCT SPEC | RESTRICTED TO | |
| 2 PLC ±.38 [.015] | 3 PLC ± | APPLICATION SPEC | - | |
| 4 PLC ± | ANGLES ±2° | WEIGHT | - | |
| FINISH | | CUSTOMER DRAWING | SCALE: 2:1 | SHEET 1 OF 1 REV A1 |