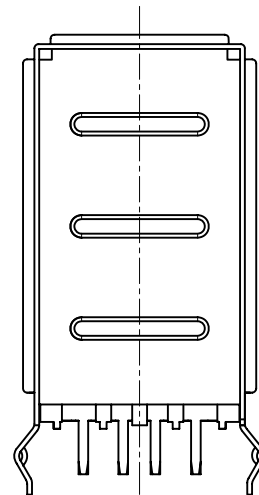
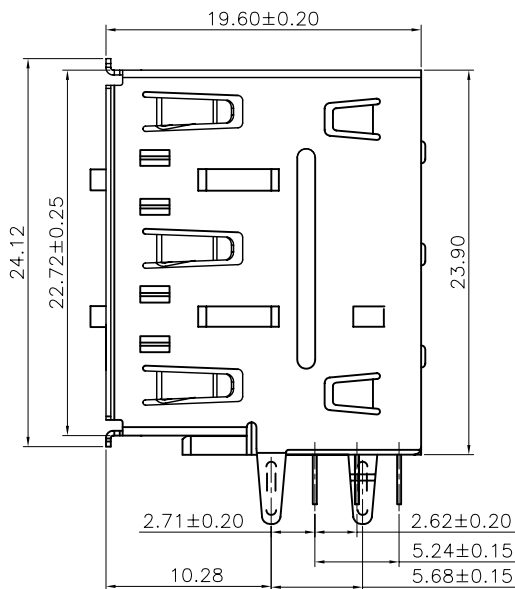
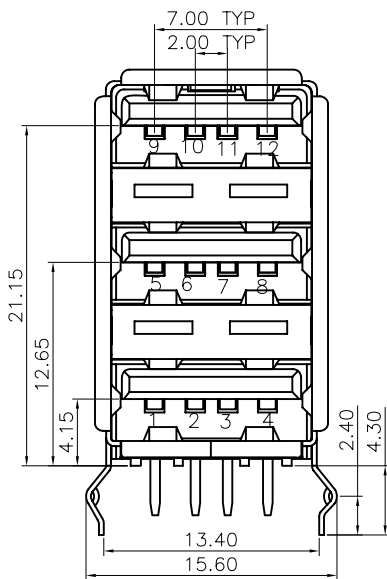


RECOMMENDED PCB LAYOUT



NOTE:

- 1.MATERIAL:
HOUSING:NY6T&PBT+30% GF UL94 V-0
CONTACT:COPPER ALLOY
SHELL:COPPER ALLOY
REAR SHELL: SPCC
- 2.FINISH:
2.1 CONTACT:
GOLD LASH LAING ON CONTACT REA.
100 μ " MIN.BRIGHT-TIN PLATING ON SOLDER TAIL
AREA, 50 μ " MIN.NICKEL UNDERPLATING OVERALL.
- 2.2 SHELL:
100 μ " MIN.BRIGHT-TIN PLATING ON SOLDER TAILS.
50 μ " MIN.NICKEL UNDERPLATING OVERALL.
- 2.3 ISOLATED:SHELL: 100 μ " MIN.NICKEL OVER 50 μ " MIN.CU ENTIRE ISOLATED.
- 2.4 REAR SHELL: 100 μ " MIN.NICKEL UNDERPLATNG OVERALL.
- 3.ELECTRICAL CHARACTERISTICS:
CRRENT RATING:0.5Amper Maximum
VOLTAGE:30V AC.
CONTACT RETENTION FORCE:0.7KGFMINIMUM.
CONTACT TESISTANCE:30 MILLIOHMS MAXIMUM.
INSULATION RESISTANCE;1000MEGOHMS MINIMUM.
DIELECTRIC WITHSTANGING VOLTAGE:750V AC AT SEE LEVEL.
PART NO.:

11/01/10	ING		NEW-DWG		AO			
DATE	DR.BY	ECN.NO.	DESCRIPTION	MARK	VER.			
-TOLERANCES- UNLESS OTHERWISE SPECIFIED			CnC Tech,LLC					
						TITLE: USB FEMALE A TYPE TRIPLE STACKED RIGHT ANGLE DIP90度		
X.	±0.38	X.X° ±2°	APPD:	PRODUCT NO: 1001-007-01020				
X.X	±0.20	X.XX° ±1°	CHECK:	DATE	SCALE	UNIT	TYPE	PAGE
X.XX	±0.10	X.XXX° ±0.5°	DRAW:	2011.01.10	FREE	MM	Z	1