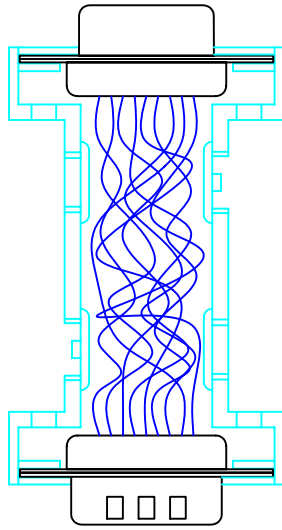
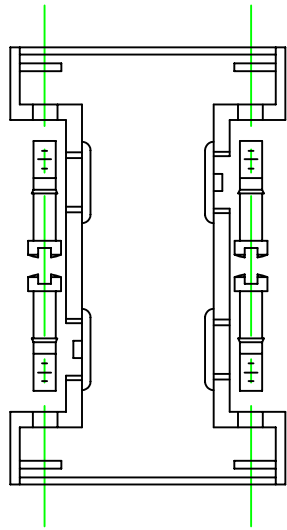
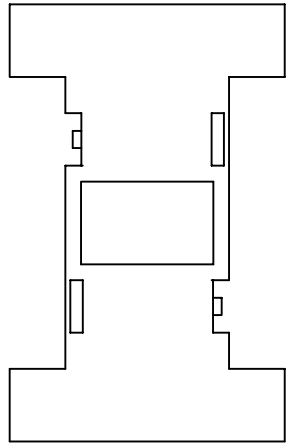


DESCRIPTION: BACKSHELL ASSEMBLY INSTRUCTIONS - GENDER CHANGER


**ASSEMBLY INSTRUCTIONS:**

1. PREPARE THE CONNECTORS, PLACE INTO ONE HALF OF THE HOOD
2. PLACE THE JACKSCREWS INTO THE HOOD WITH THE CONNECTORS
3. PLACE THE OTHER HALF OF THE HOOD ON TOP OF THE FIRST HALF, MAKING SURE NO WIRES ARE PINCHED, SNAP THE TWO HALVES TOGETHER MAKING SURE THEY ARE FULLY SEATED
4. MALE OR FEMALE CONNECTORS CAN BE INSERTED INTO EITHER END OF THE HOOD



**9-PIN TO 9-PIN  
15-PIN TO 15-PIN  
25-PIN TO 25-PIN  
GENDER CHANGER**

**PLASTIC & METALIZED PLASTIC**

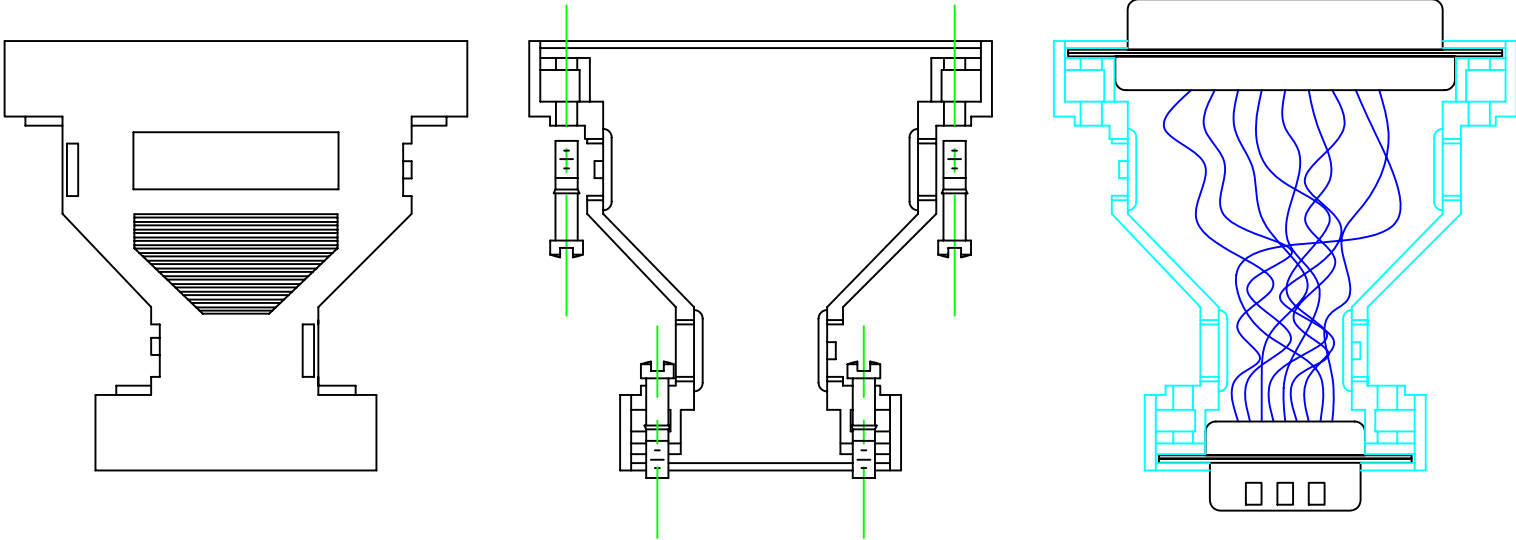
	THESE DRAWINGS AND SPECIFICATIONS ARE THE PROPERTY OF NorComp AND SHALL NOT BE REPRODUCED, COPIED OR USED AS THE BASIS FOR THE MANUFACTURE OF SALE OF APPARATUS WITHOUT WRITTEN PERMISSION.		DRAWN: <b>C. SMITH</b>	DATE: <b>05-10-07</b>
			CHECKED:	DATE:
<h1>NorComp</h1>		SCALE: <b>N.T.S.</b>	SHEET <b>1</b> OF <b>2</b>	REV <b>0</b>
		DWG NO. <b>BACKSHELL - 957 SERIES</b>		

**RoHS COMPLIANT**

DESCRIPTION: BACKSHELL ASSEMBLY INSTRUCTIONS - GENDER CHANGER

**ASSEMBLY INSTRUCTIONS:**


1. PREPARE THE CONNECTORS, PLACE INTO ONE HALF OF THE HOOD
2. PLACE THE JACKSCREWS INTO THE HOOD WITH THE CONNECTORS
3. PLACE THE OTHER HALF OF THE HOOD ON TOP OF THE FIRST HALF, MAKING SURE NO WIRES ARE PINCHED, SNAP THE TWO HALVES TOGETHER MAKING SURE THEY ARE FULLY SEATED
4. MALE OR FEMALE CONNECTORS CAN BE INSERTED INTO EITHER END OF THE HOOD



**9-PIN TO 25-PIN GENDER CHANGER**

**PLASTIC & METALIZED PLASTIC**

**RoHS COMPLIANT**

	THESE DRAWINGS AND SPECIFICATIONS ARE THE PROPERTY OF NorComp AND SHALL NOT BE REPRODUCED, COPIED OR USED AS THE BASIS FOR THE MANUFACTURE OF SALE OF APPARATUS WITHOUT WRITTEN PERMISSION.		DRAWN: <b>C. SMITH</b>	DATE: <b>05-10-07</b>
			CHECKED:	DATE:
<h1>NorComp</h1>		SCALE: <b>N.T.S.</b>	SHEET <b>2</b> OF <b>2</b>	REV <b>0</b>
		DWG NO. <b>BACKSHELL - 957 SERIES</b>		