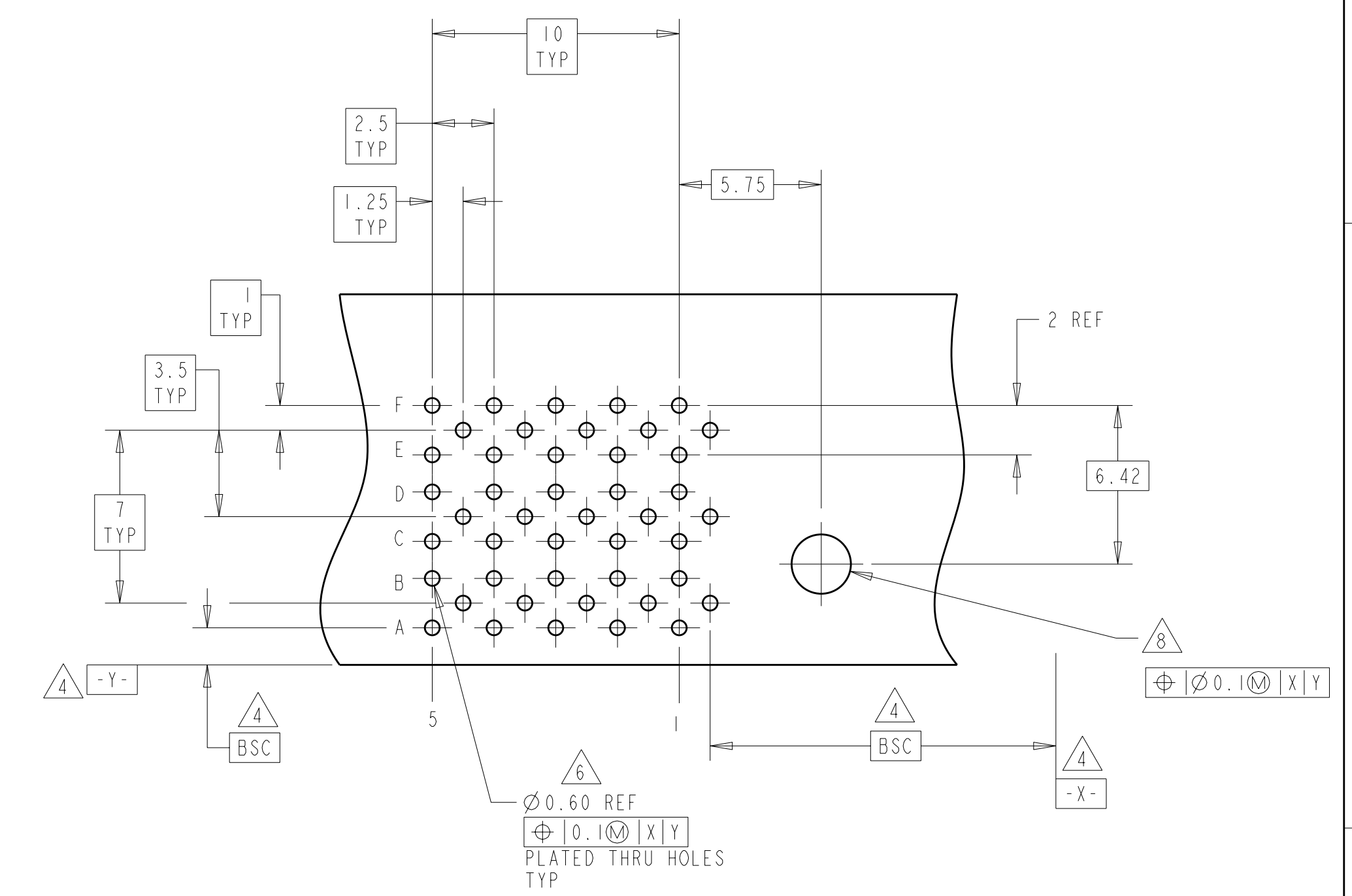
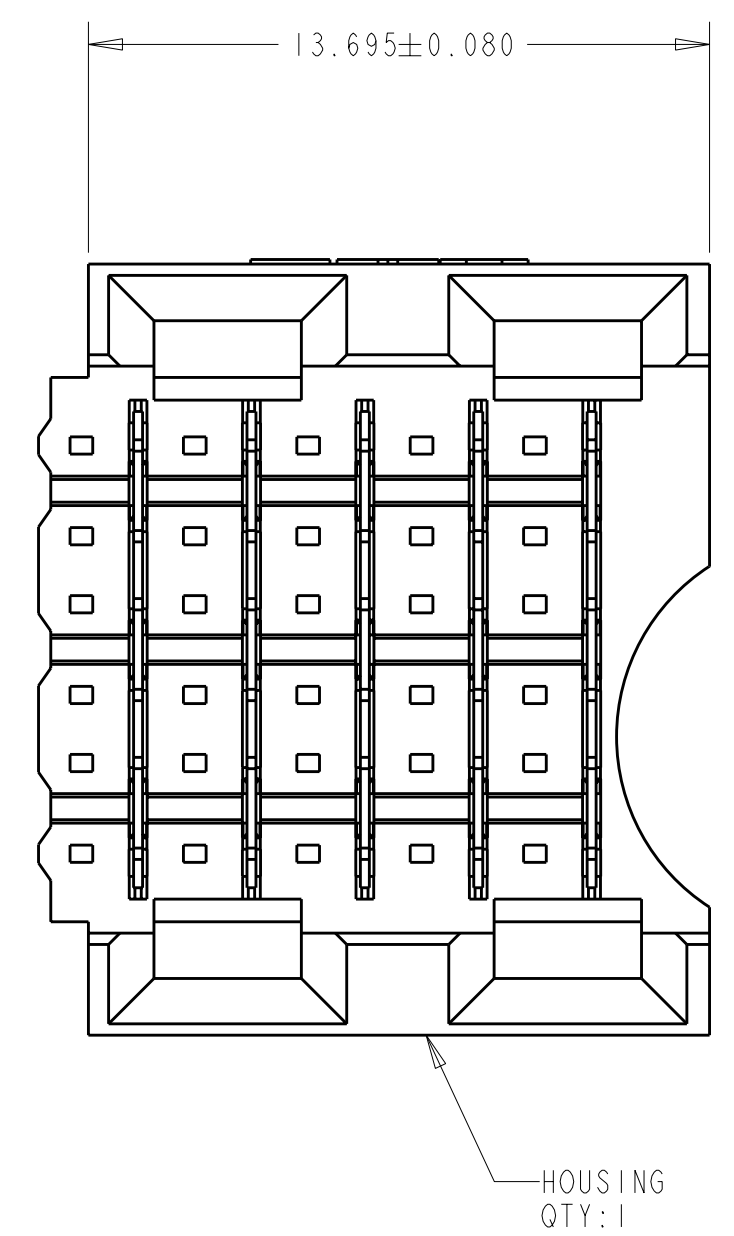
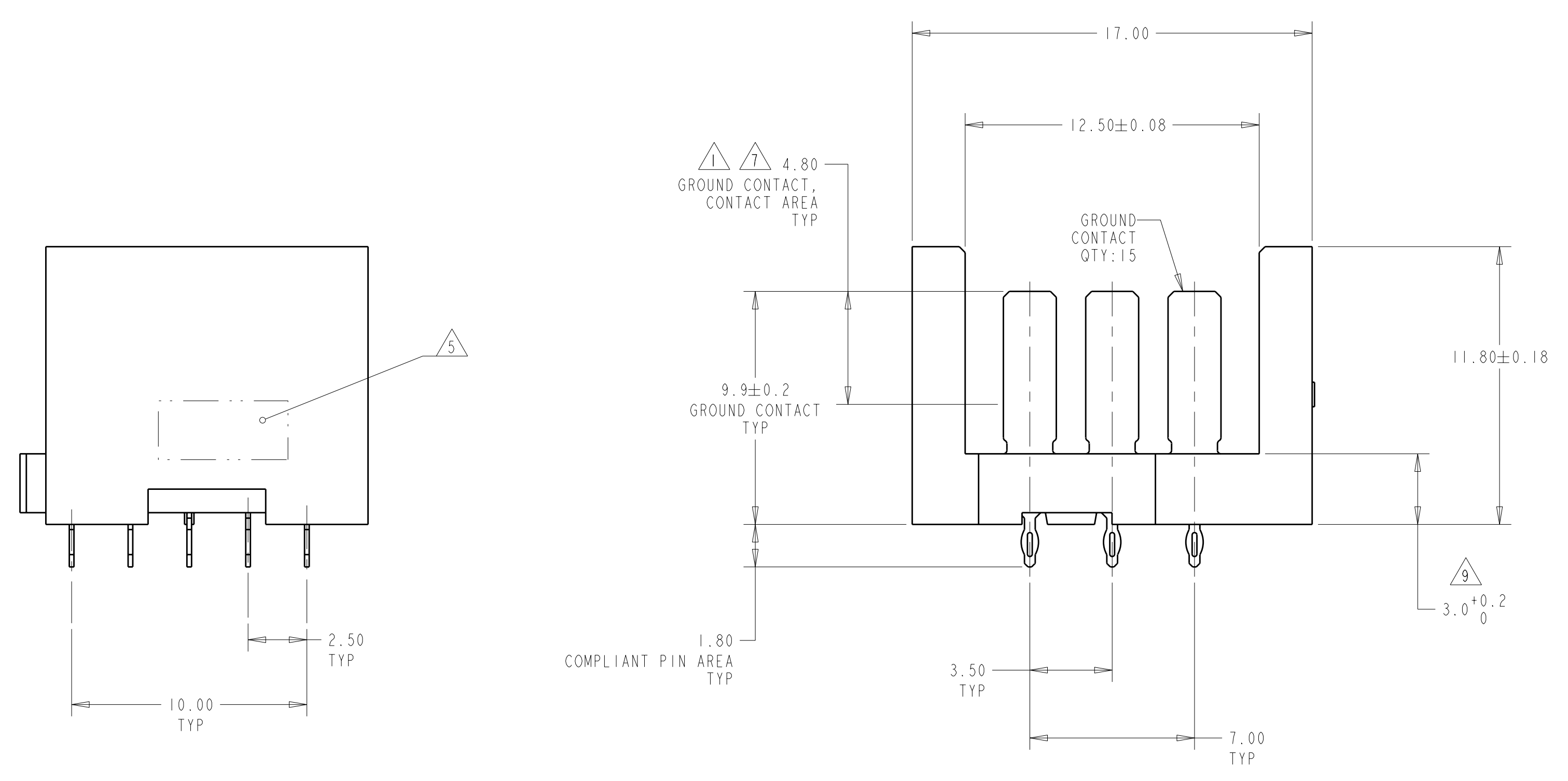


LOC	DIST	REV	DATE	BY	APPD
AD	47	C	13JUL2011	HMR	MH

- 1 CONTACT MATING AREA MEETS THE PERFORMANCE REQUIREMENTS OF TE CONNECTIVITY PRODUCT SPECIFICATION 108-1957; BASED ON TELCORDIA GR-1217-CORE, APPLICATIONS IN UNCONTROLLED ENVIRONMENTS.
- 2 PHOSPHOR BRONZE
- 3 GLASS FILLED POLYESTER
- 4 DATUMS AND BASIC DIMENSIONS ESTABLISHED BY CUSTOMER
- 5 CONNECTOR MARKED WITH PART NUMBER AND DATE CODE
- 6 DRILLED HOLE DIAMETER 0.7±0.025
 FINISHED HOLE DIA 0.60±0.05 REF
 COPPER THICKNESS 0.025-0.050
 TIN LEAD THICKNESS 0.004-0.010
- 7 CONTACT AREA LUBRICATED WITH BELLCORE APPROVED LUBRICANT
 TECHNICAL REFERENCE: GR-1217-CORE, ISSUE 1, NOVEMBER 1995
- 8 HOLE DIAMETER:
 2.4 FOR USE WITH P/N 532828, STATIC DISCHARGE, GUIDE PIN, HDI
 3.4 FOR USE WITH P/N 120759, FEED THROUGH, GUIDE PIN
- 9 APPLICATION SEATING HEIGHT TO PRINTED CIRCUIT BOARD



RECOMMENDED
 PRINTED CIRCUIT BOARD
 LAYOUT
 COMPONENT SIDE OF PRINTED CIRCUIT BOARD



120684-1
 PART NUMBER

THIS DRAWING IS A CONTROLLED DOCUMENT.		DWN H. MOLL 5-25-99	TE Connectivity
DIMENSIONS: mm		CHK H. ANDREWS 5-25-99	
TOLERANCES UNLESS OTHERWISE SPECIFIED: 9 PLC ± 3 PLC ±0.13 5 PLC ± 4 PLC ± ANGLES ±		APVD H. ANDREWS 5-25-99	NAME
MATERIAL HOUSING: 3 CONTACTS: 2		PRODUCT SPEC	SHROUD ASSEMBLY, 6 ROW, 30 POSITION, LEFT HAND, Z-PACK HS3
GROUND CONTACT: 1		APPLICATION SPEC	
FINISH		WEIGHT	SIZE CAGE CODE DRAWING NO RESTRICTED TO
CUSTOMER DRAWING		A1 00779 C=120684	SCALE 6:1 SHEET 1 OF 1 REV C