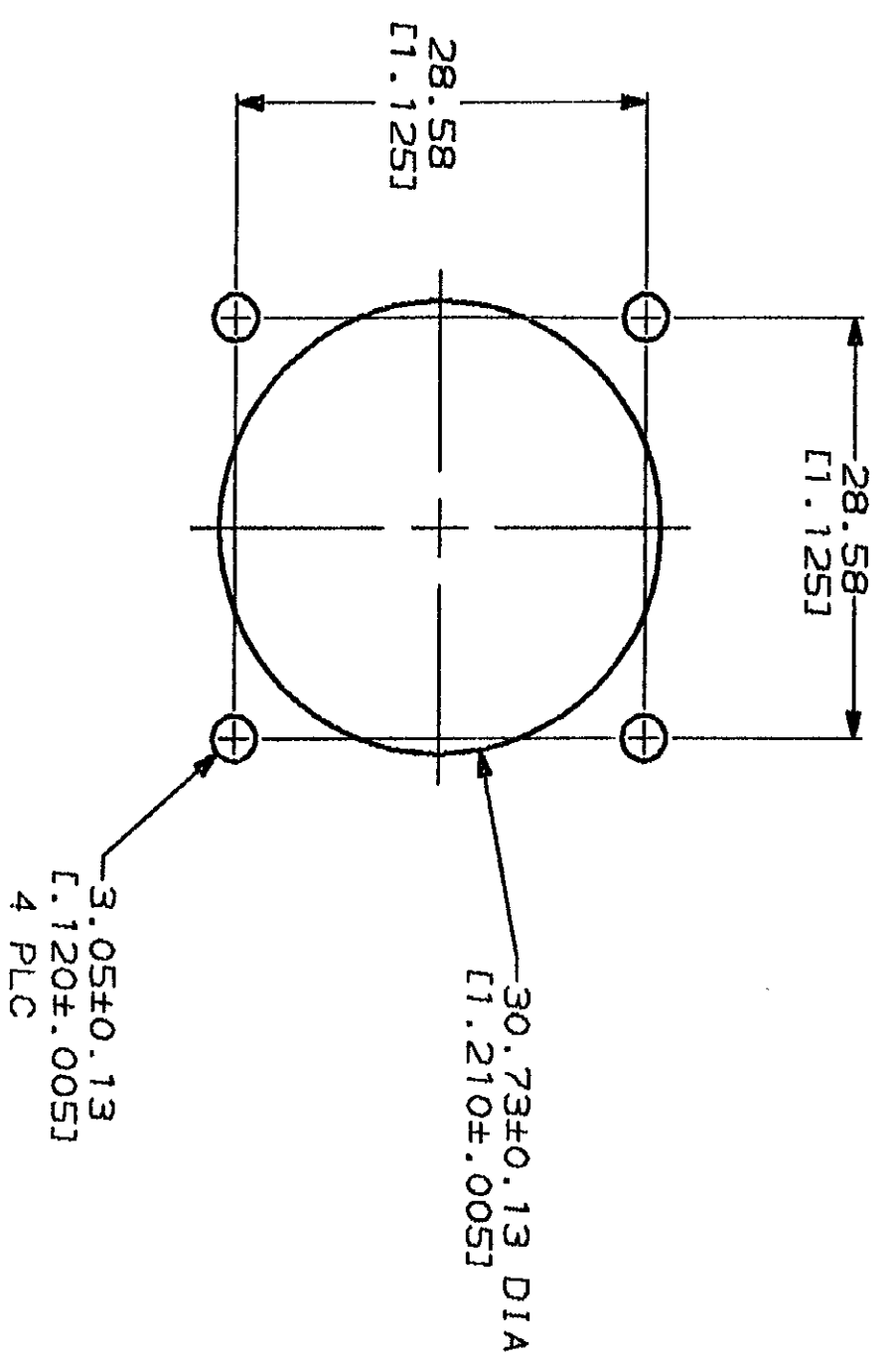
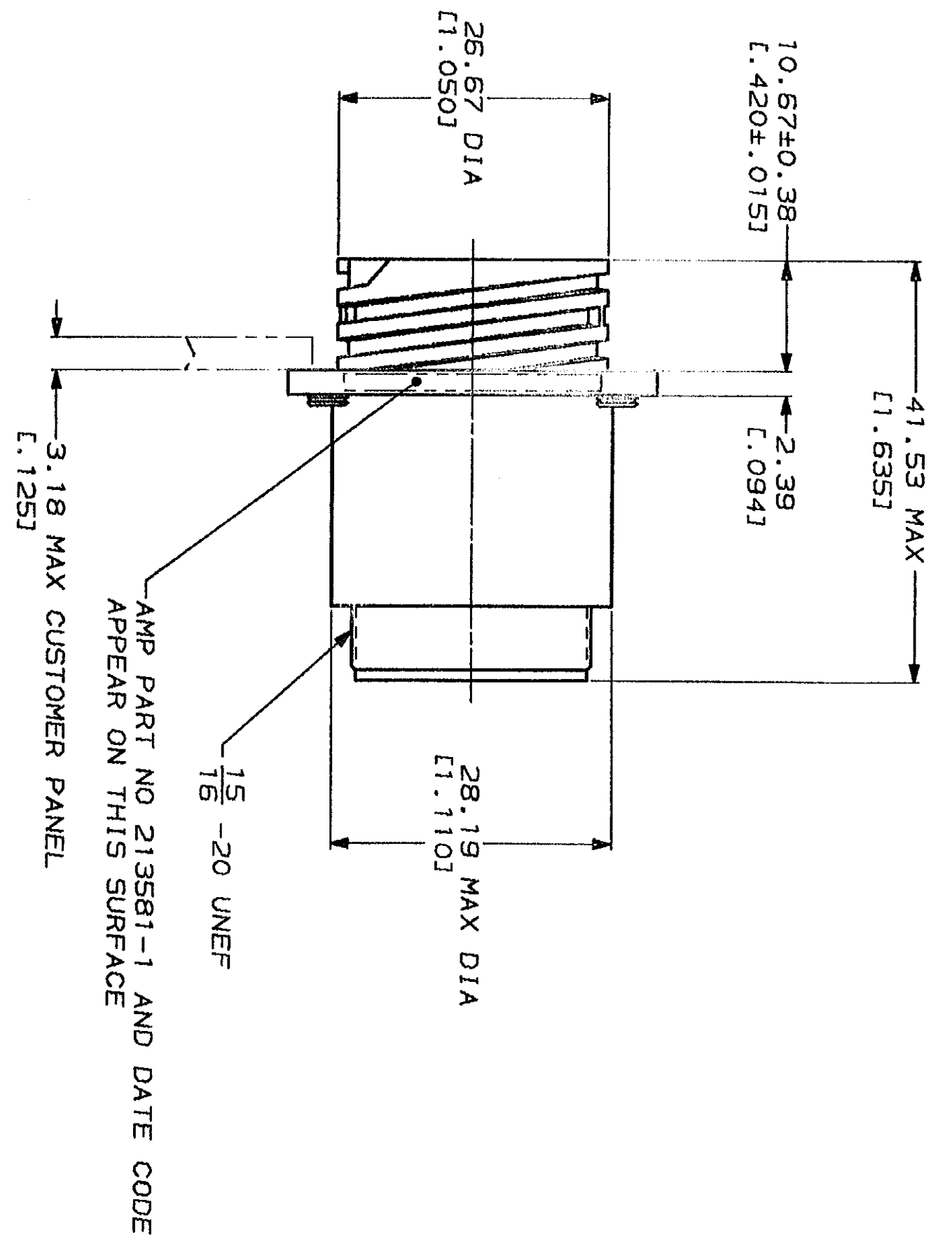
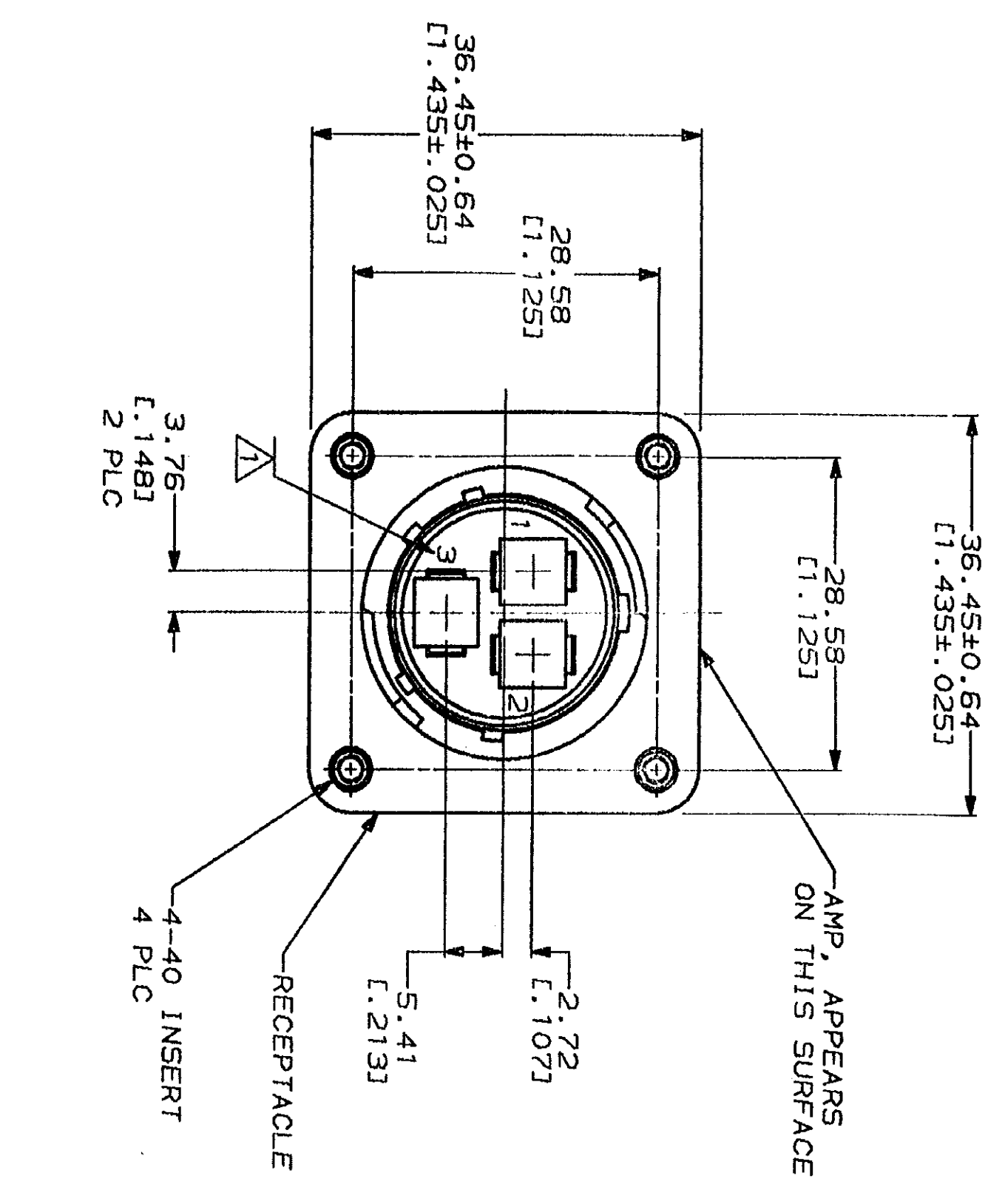


MOD	LOC	DIST	P	F	ZONE	LTR	REVISIONS	DESCRIPTION	DATE	APPD
3	BD	39	V	V	0	RELEASED	NPR 2679		3-90	-



1. CAVITY IDENTIFICATION CHARACTERS ON FRONT AND REAR FACE.
 2. WILL ACCEPT 3 TYPE XII PIN CONTACTS.

RECOMMENDED PANEL CUTOUT

METRIC

DO NOT SCALE PRINT. UNLESS SPECIFIED DIMENSIONS IN mm [INCHES] TOLERANCES ON: 2 PLC DEC ± 0.25[.010] 3 PLC DEC ± - ANGLES ± - MATERIAL INSERT: BRASS RECEPTACLE: NYLON, BLACK		DR 3-5-90 J McCLINTON	CHK - 3-8-90	APPD - 3/13/90	NAME RECEPTACLE ASSEMBLY, 17-3, STANDARD SEX, WITH 4-40 INSERT, CPC
FINISH -	APPLICATION SPEC	APPD - 3/13/90	APPD - 3/13/90	AMP INCORPORATED Harrisburg, Pa. 17105	PART NO 213581-1
WEIGHT -	SCALE 2:1	SIZE C 00779	DRAWING NO 213581	CUSTOMER DRAWING	