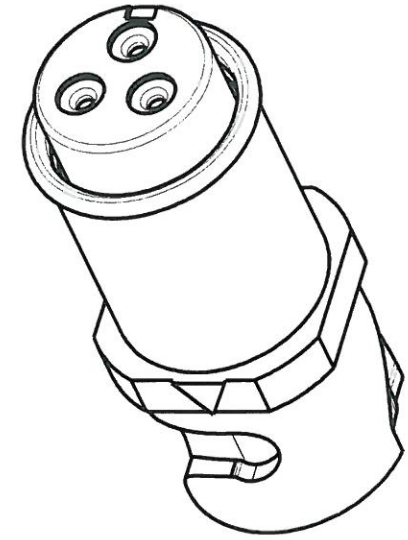
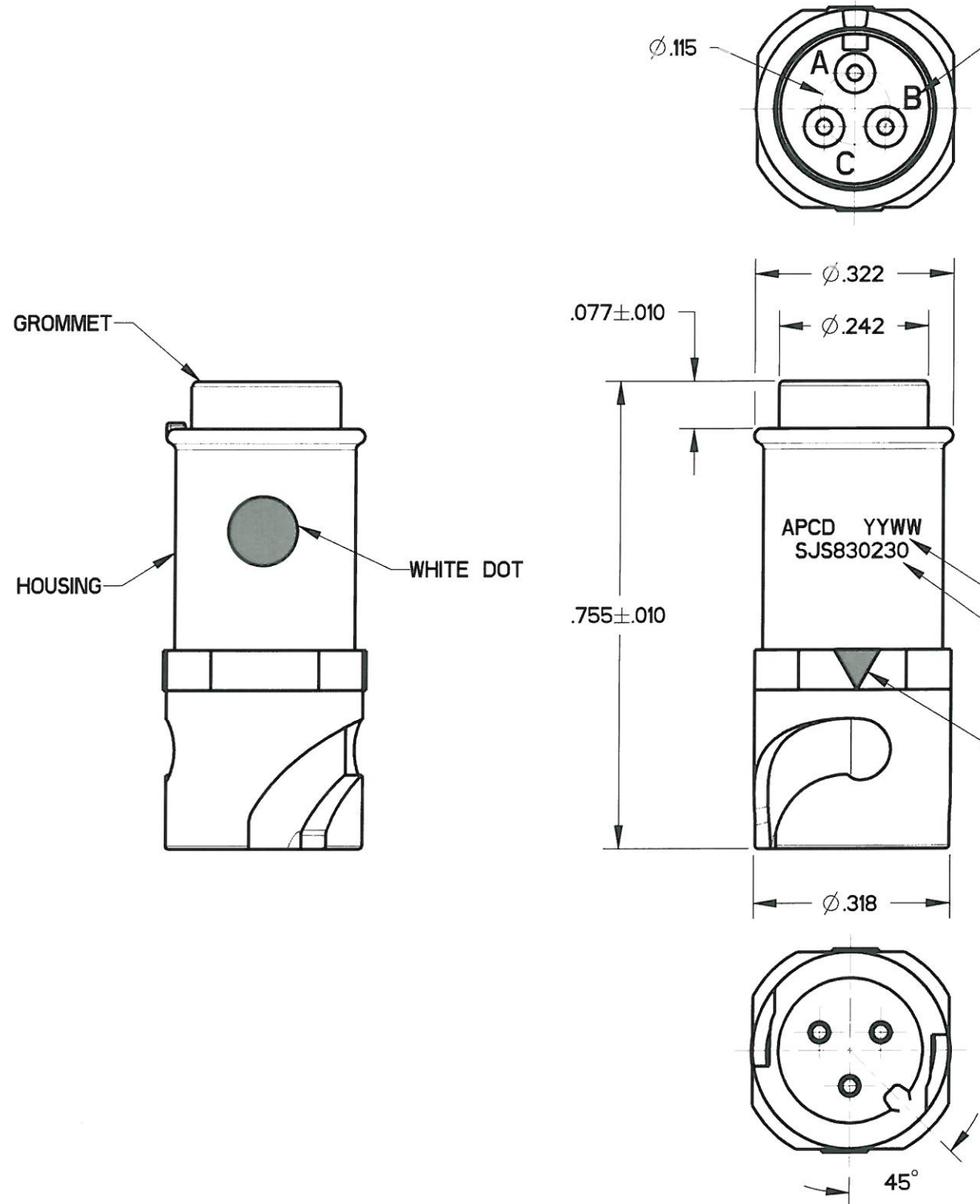


REV	ECN	APP'D
-	6730	<i>[Signature]</i>



- NOTES:
- MATERIALS:
HOUSING: PA6/6, COLOR: BLACK
CONTACT RETAINER: STAINLESS STEEL
GROMMET: SILICONE RUBBER PER A-A-59588, COLOR: RED
 - ACCEPTS M39029/58-360 PIN CONTACTS (NOT INCLUDED)
 - PART MATES WITH SJS830210
 - WEIGHT: 1.1 GRAMS (EST.)

DIMENSIONS ANSI Y14.5M UNITS: INCHES Pro/E FILE	TOLERANCES .XX ± 0.01 .XXX ± 0.005 ANGLES $\pm 2.0^\circ$	PROJECTION 	Amphenol Pcd SPECIFICATION DRAWING		TITLE SJS, RECEPTACLE (3) POSITION SIZE 22 SHELL SIZE 5		
			ENGR WESLEY YU 3-June-10	CHKD <i>[Signature]</i> 9/8/11	APPD <i>[Signature]</i> 9/8/11	SIZE B	DWG NO. SJS830230_CE
ORIGINAL 	THIS DOCUMENT CONTAINS PROPRIETARY INFORMATION WHICH IS THE CONFIDENTIAL PROPERTY OF AMPHENOL PCD INC., BEVERLY, MA			CODE: 58982	SCALE: 4:1	SHEET 1 OF 1	

SJS830230

SJS830230