

ENG. NO.
SD_35150-029*

EDP NO.

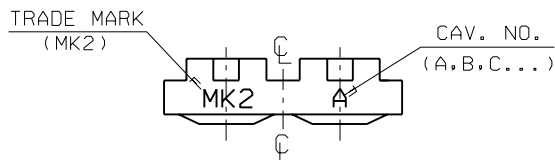
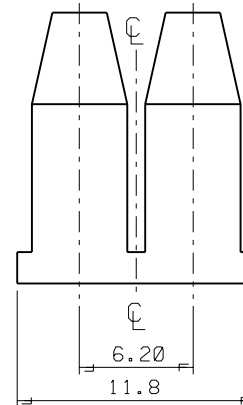
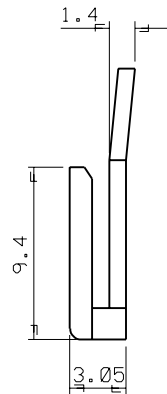
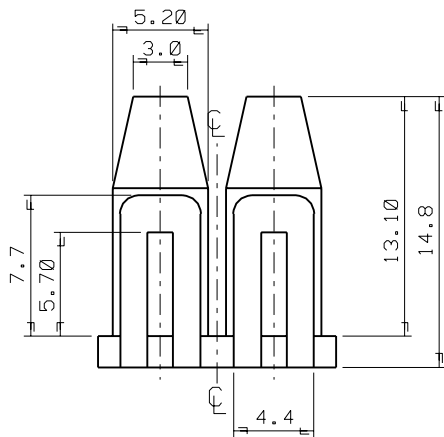
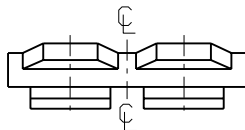
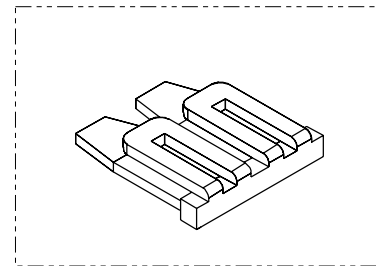
SIMILAR ITEM

PROJECT NO.
.070 W/W CONN'

8 7 6 5 4 3 2 1

NOTES

1. MATERIAL : NYLON 66 (UL94V-2)
2. COLOR : 35150-0290 (NATURAL)
35150-0292 (RED)
35150-0293 (YELLOW)
35150-0294 (BLUE)
3. MATCHED HOUSING : 35150-020*/021*
35151-021*
35150-040*/041*
35151-041*



				MATERIAL SEE NOTES		molex MOLEX-KOREA CO.,LTD.	
				GENERAL TOLERANCE DIMENSION : ±0.3 ANGLE : ±1°		DRAWN BY J. S. KANG	
				DIMENSION CLASSIFICATION ▽: CRITICAL ▼: MAJOR (): REFERENCE		CHK'D BY	
A NEW RELEASED				95 3.10		SCALE 4/1	
LTR REVISION RECORD		ECN	DATE	ASS'Y PART DESCRIPTION ENG. NO.		TITLE: 6.2 PITCH W/W CONN' T.P.A - 2P	
REVISE ONLY ON CAD SYSTEM				---		SHEET 1 OF 1	
						ENG. NO. SD 35150-029*	
						REV A	