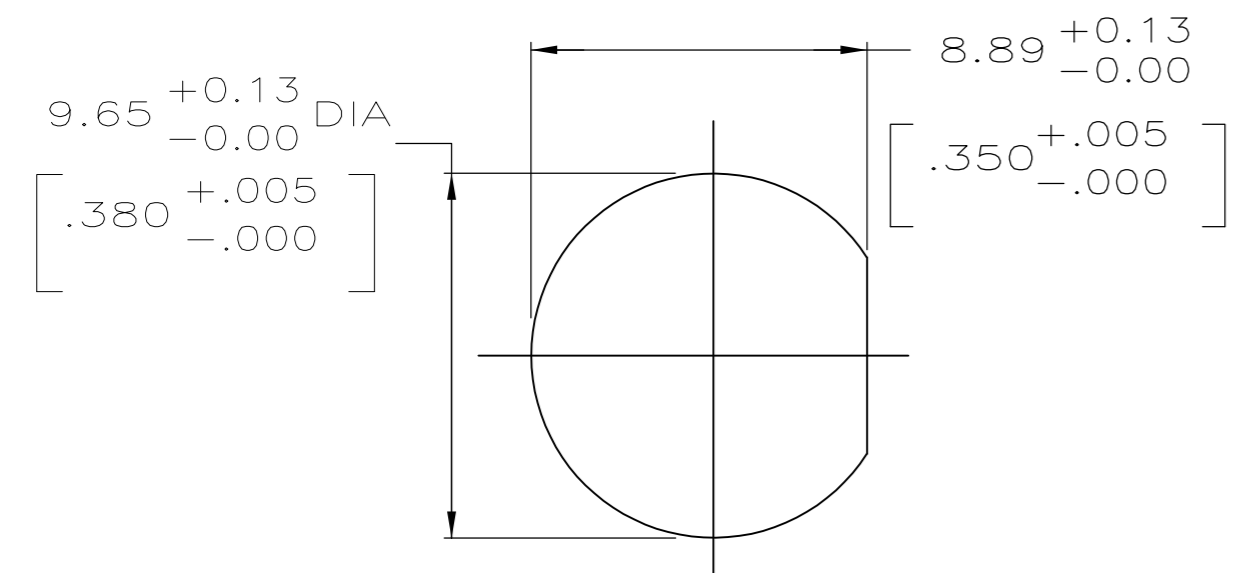
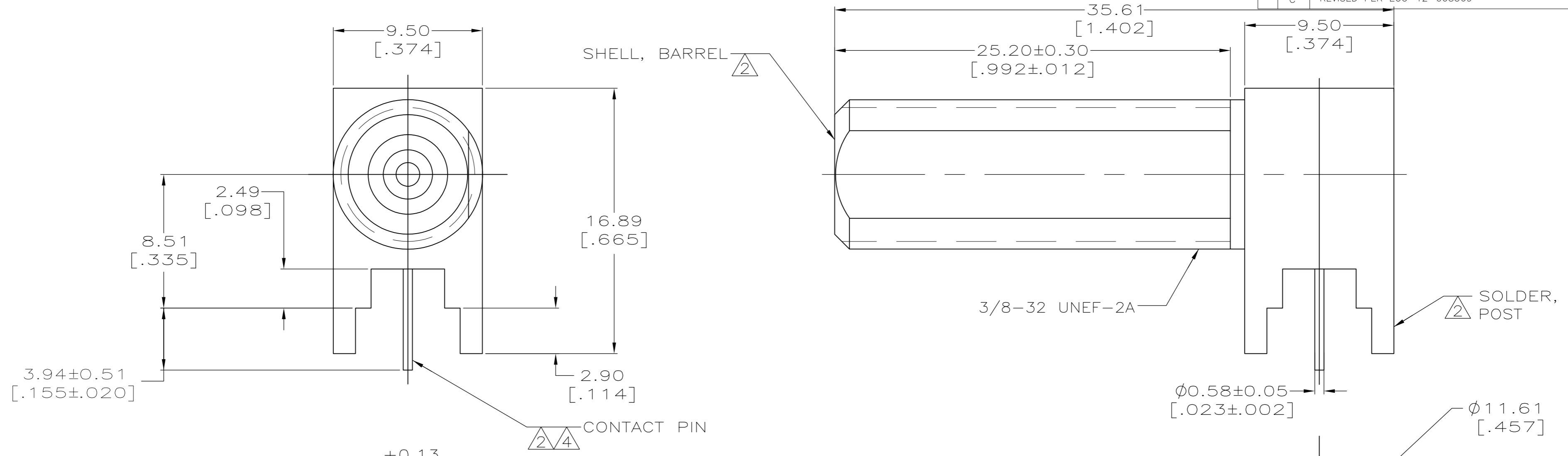
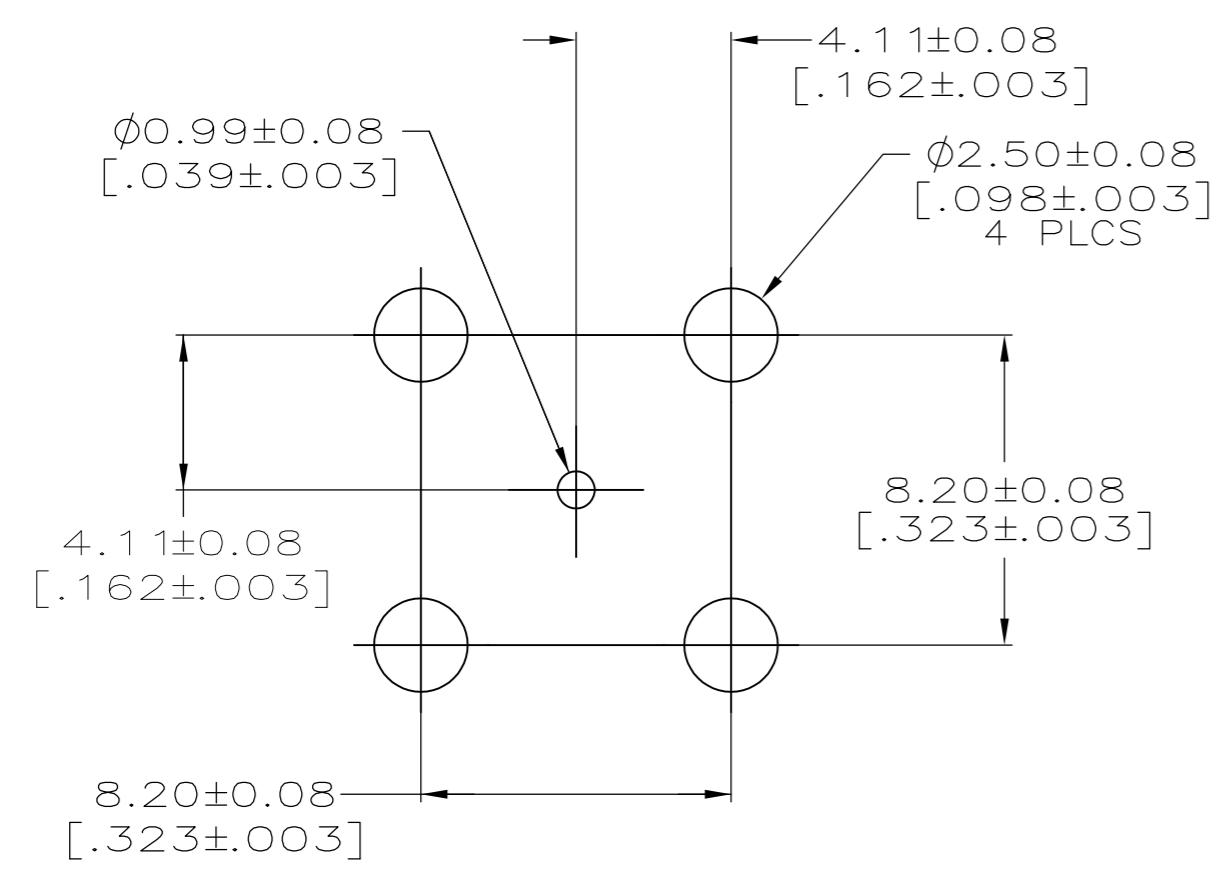


THIS DRAWING IS UNPUBLISHED. RELEASED FOR PUBLICATION
 © COPYRIGHT - By - ALL RIGHTS RESERVED.

LOC	DIST	REVISIONS					
		P	LTR	DESCRIPTION	DATE	DWN	APVD
AJ	00		B1	REVISED PER ECO-10-000444	19JAN10	KK	HMR
			C	REVISED PER ECO-12-008369	03MAY12	TITAN	MARTIN



SUGGESTED PANEL CUTOUT



PCB CONFIGURATION

- 1 PHOSPHOR BRONZE.
- 2 BRASS.
- 3 ACETAL, GENERAL PURPOSE
- 4 TIN PLATE 2.54 μm [.000100] MINIMUM THICK.
- 5 NICKEL PLATE 2.54 μm [.000100] MINIMUM THICK.
- 6 POLYPROPYLENE, GENERAL PURPOSE
- 7. CONNECTOR WILL ACCEPT CENTER CONDUCTOR DIAMETER RANGE OF .020-.047.
- 8 PTFE
- 9 OBSOLETE PARTS: OBSOLETE CIS STREAMLINING PER D.RENAUD/D.SINISI

	4	4	8	8	8	
OBSOLETE	4	4	8	8	8	-5415024-4-
OBSOLETE	5	4	6	3	3	-5415024-3-
OBSOLETE	5	5	6	3	3	-5415024-1-
	SHELL BARREL PLATING	SOLDER POST PLATING	FRONT DIELECTRIC MATERIAL	MIDDLE DIELECTRIC MATERIAL	BOTTOM DIELECTRIC MATERIAL	PART NUMBER

THIS DRAWING IS A CONTROLLED DOCUMENT.

DIMENSIONS: mm [INCHES]	TOLERANCES UNLESS OTHERWISE SPECIFIED: 0 PLC ± - 1 PLC ± - 2 PLC ± - 3 PLC ± 0.20 [.008] 4 PLC ± - ANGLES ± -	DWN G. ATTADIA - DOCK5 CHK J. HAVENER APVD K. WEIDNER PRODUCT SPEC 108-1755 APPLICATION SPEC -	01FEB2005 01FEB2005 01FEB2005	NAME JACK, PCB, RIGHT ANGLE, F SERIES
MATERIAL SEE NOTES 1-3, 6	FINISH SEE NOTE 4 & 5	WEIGHT -	SIZE A2 CAGE CODE 00779 DRAWING NO. C=5415024	RESTRICTED TO -
CUSTOMER DRAWING		SCALE 5:1	SHEET 1 of 1	REV C