

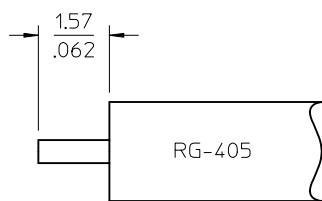
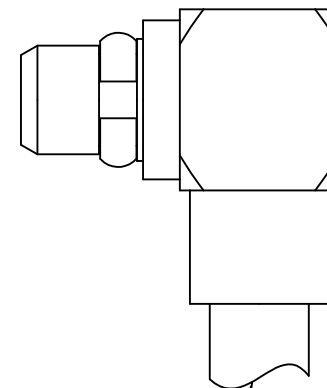
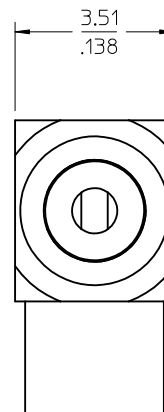
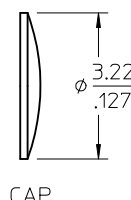
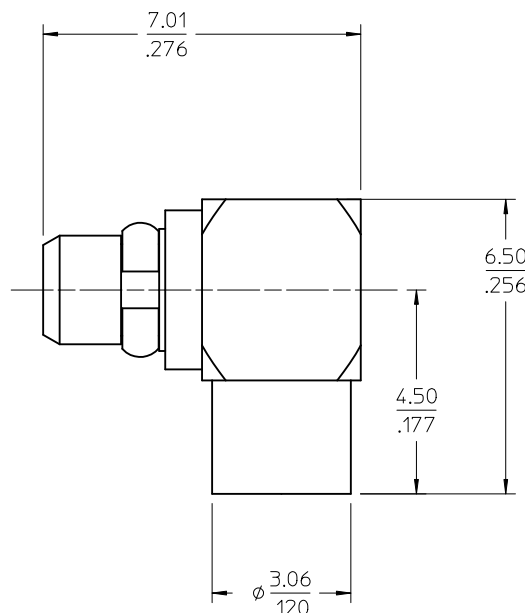
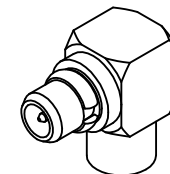
MATERIALS AND FINISHES

BODY, CAP BRASS  
PLATED GOLD (SEE TABLE)

CENTER CONTACT BRASS  
PLATED GOLD (SEE TABLE)

SNAP RING BERYLLIUM COPPER  
PLATED GOLD (SEE TABLE)

INSULATOR TEFLON



RECOMMENDED CABLE STRIP

73415-2162	SINGLE BAG	FLASH	30u"
73415-2161	BULK	FLASH	30u"
73415-2160	BULK	30u'	50u"
PART NO.	PACKAGING	BODY/CAP/RING	CONTACT GOLD
		GOLD	

PS-89675-1920	ELECTRO/MECH PERFORM.
SPECIFICATION	DESCRIPTION

CHG: TABULIATE  
GOLD THICKNESS  
PS-89675-1920 WAS  
PS-89\*675-1930  
EC NO: URF2010-0549  
DRWN: JWIENER 2010/04/07  
CHKD: SSS 2010/04/07  
APPR: JWIENER 2010/04/08

QUALITY SYMBOLS ▽=0 ▽=0	GENERAL TOLERANCES (UNLESS SPECIFIED)		DIMENSION STYLE MM/IN		SCALE	DESIGN UNITS METRIC	THIRD ANGLE PROJECTION
	mm	INCH	DRAWN BY TEF	DATE 2000/06/15	TITLE MMCX PLUG R/A RG405 50 OHMS MMCX-PC/RA	MOLEX INCORPORATED	
	4 PLACES ± --- ± ---	3 PLACES ± --- ± ---	CHECKED BY SSS	DATE 2000/06/15	DOCUMENT NO. SD-73415-216		
	2 PLACES ± --- ± ---	1 PLACE ± --- ± ---	APPROVED BY JWIENER	DATE 2010/04/08	SHEET NO. 1 OF 1		
	ANGULAR ± 2 °		SIZE C		THIS DRAWING CONTAINS INFORMATION THAT IS PROPRIETARY TO MOLEX INCORPORATED AND SHOULD NOT BE USED WITHOUT WRITTEN PERMISSION		
	DRAFT WHERE APPLICABLE MUST REMAIN WITHIN DIMENSIONS						