

MICRO SWITCH

A DIVISION OF MINNEAPOLIS-HONEYWELL REGULATOR COMPANY
 MILWAUKEE, WISCONSIN
 FEDERAL MFR CODE 91929

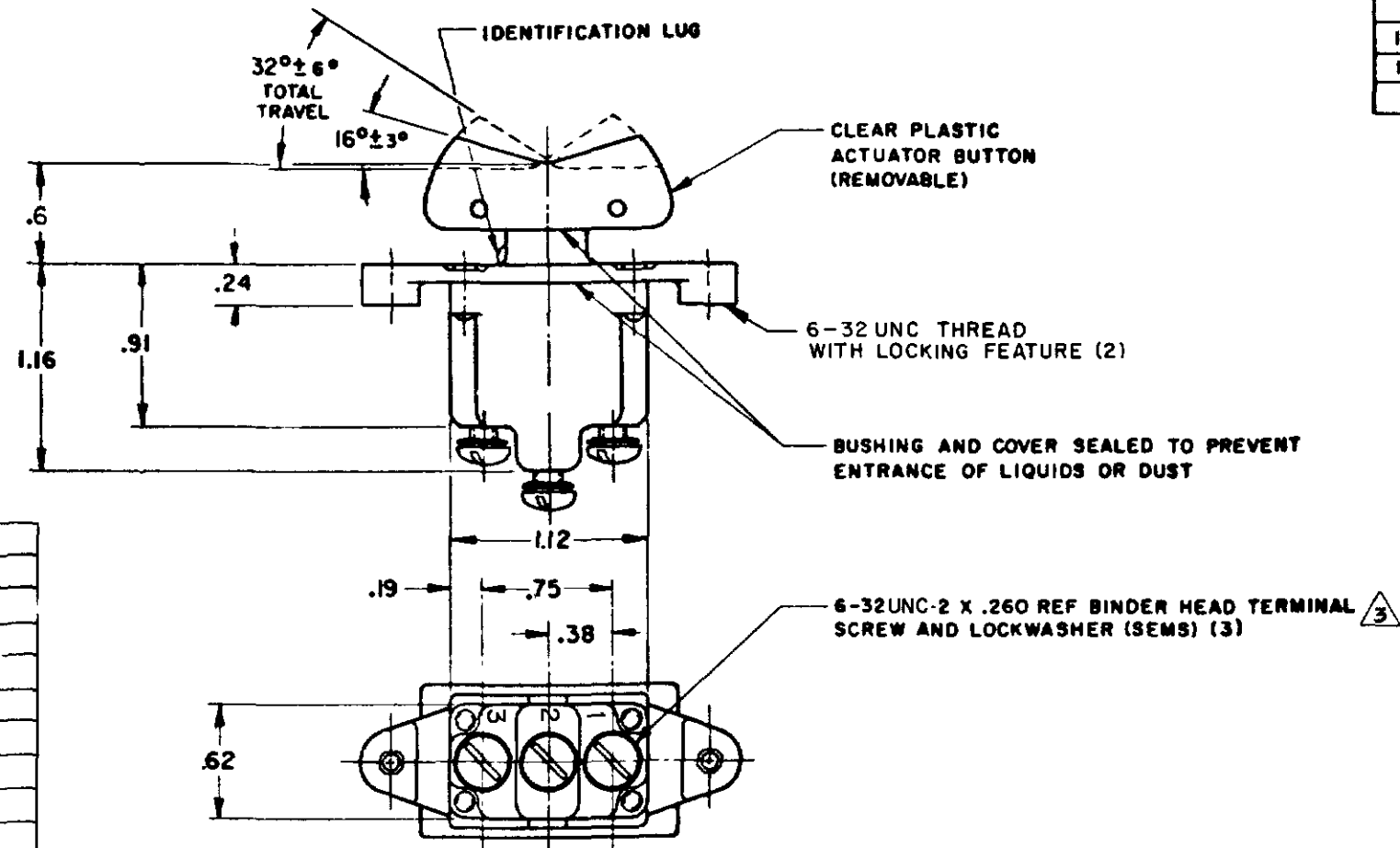
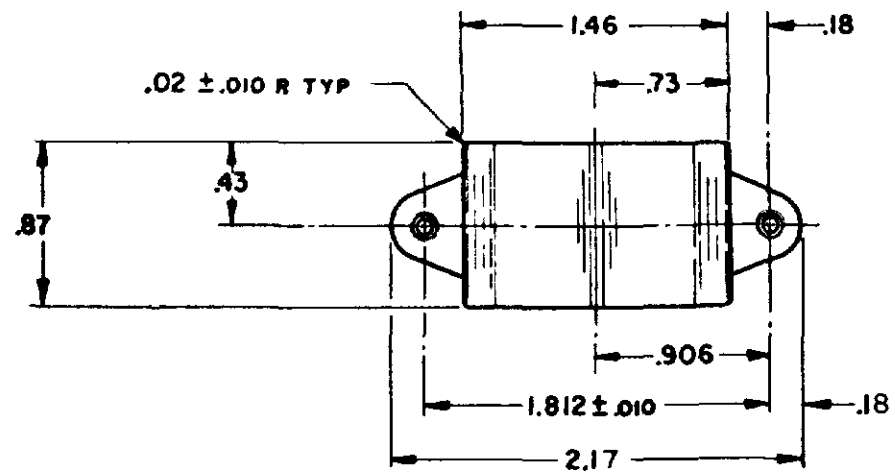
**SWITCH-TOGGLE
 ABOVE PANEL MOUNT**

CATALOG LISTING
**1TP4 SERIES
 CHART 1**

CAT. LIST.

CIRCUIT WITH BUTTON IN
 OPPOSITE LUG (2-3) CENTER (1-2) LUG SIDE (1-2)

ELECTRICAL DATA



ITP4-1	ON	OFF	ON
ITP4-2	ON	NONE	OFF
ITP4-3	ON	NONE	ON
ITP4-21	ON	OFF	NONE
ITP4-31	ON	ON	NONE
ITP4-4	ON	NONE	MOM OFF
ITP4-5	ON	OFF	MOM ON
ITP4-6	OFF	NONE	MOM ON
ITP4-7	MOM ON	OFF	MOM ON
ITP4-8	ON	NONE	MOM ON
ITP4-51	MOM ON	ON	NONE
ITP4-61	NONE	OFF	MOM ON

L191 15A 125, 250, 277 VAC
 1/2HP 125 VAC
 1HP 250, 277 VAC
 5A 125 VAC "L"



L192 10A 125, 250, 277 VAC
 1/4HP 125 VAC,
 1/2HP 250, 277 VAC
 3A 125 VAC "L"



NOTES

- 1 - MICRO SWITCH CAT LISTING MARKED ON SIDE OF SWITCH
- 2 - THESE SWITCHES WILL WITHSTAND TEMPERATURE OF 160°F
- 3 - SCREWS FURNISHED UNASSEMBLED

THIS DRAWING COVERS A PROPRIETARY ITEM AND IS THE PROPERTY OF MICRO SWITCH A DIVISION OF MINNEAPOLIS-HONEYWELL REGULATOR CO THIS DRAWING IS NOT TO BE COPIED OR USED WITHOUT THE APPROVAL OF MICRO SWITCH

CHARACTERISTICS	ELECTRICAL DATA		SCALE FULL
	CONTACT ARRANGEMENT	BREAK DISTANCE	DO NOT SCALE PRINT
			UNLESS OTHERWISE SPECIFIED DIMENSIONS ARE IN INCHES TOLERANCES ARE: ONE PLACE () ± .030 TWO PLACE (.) ± .015 THREE PLACE (.000) ± .005 ANGLES ± WEIGHT .09 LB EST

CATALOG LISTING 1TP4 SERIES CHART 1 PAGE 1 OF 1
 ISSUE 3
 REVISIONS
 A C092334 JAS 30 JUL 98
 B C094412 DLM 13 OCT 99
 CHECK KAG 23 JUN 94
 CHECK KDR 10 JUN 94
 FORMTEK DRAWN
 RELEASE NO CO-78465 REPLACES 11P4 SERIES