



PIC18F87J10 Family Rev. A4 Silicon Errata

The PIC18F87J10 family parts you have received conform functionally to the Device Data Sheet (DS39663F), except for the anomalies described below. Any Data Sheet Clarification issues related to the PIC18F87J10 family will be reported in a separate Data Sheet errata. Please check the Microchip web site for any existing issues.

The following silicon errata apply only to PIC18F87J10 family devices with these Device/Revision IDs:

Part Number	Device ID	Revision ID
PIC18F65J10	0001 0101 001	0 0101
PIC18F65J15	0001 0101 010	0 0101
PIC18F66J10	0001 0101 011	0 0101
PIC18F66J15	0001 0101 100	0 0101
PIC18F67J10	0001 0101 101	0 0101
PIC18F85J10	0001 0101 111	0 0101
PIC18F85J15	0001 0111 000	0 0101
PIC18F86J10	0001 0111 001	0 0101
PIC18F86J15	0001 0111 010	0 0101
PIC18F87J10	0001 0111 011	0 0101

The Device IDs (DEVID1 and DEVID2) are located at addresses 3FFFFEh:3FFFFFh in the device's configuration space. They are shown in hexadecimal in the format "DEVID2 DEVID1".

1. Module: Flash Program Memory

Writes to program memory address 300000h, that are not blocked, can cause the program memory at different locations to be corrupted.

Work around

Do not write to address 300000h. If you wish to modify the contents of the Configuration registers, then modify the Configuration Words located at the end of the user memory and issue a Reset command. This will reload the Configuration registers with the new configuration setting.

The end of the user memory is:

- PIC18FX5J10 devices – 7FF4h
- PIC18FX5J10 devices – 3FF4h

For additional information, see the Device Data Sheet (DS39663), **Section 24.1 "Configuration Bits"**.

Date Codes that pertain to this issue:

All engineering and production devices.

2. Module: External Memory Bus

For PIC18F8XJXX devices, the Stack Pointer may incorrectly increment during a table read operation if the external memory bus wait states are enabled.

This is when:

- The Configuration bit, WAIT, is clear (CONFIG3L<7> = 0)
- The WAITx bits (MEMCON<5:4>) are *not* equal to '11'

Work around

If using the external memory bus and performing TBLRD operations with a non-zero wait state – described by the preceding two bullet points – first disable interrupts by clearing the GIE/GIEH (INTCON<7>) and PEIE/GIEL (INTCON<6>) bits.

Date Codes that pertain to this issue:

All engineering and production devices.

3. Module: External Memory Bus

The A<19:16> EMB address lines and read/write control pins (\overline{OE} , \overline{WRH} and \overline{WRL}) are released to their respective inactive states at the same time which violates the timing condition mentioned in Figure 27-5 and Figure 27-6 in the data sheet.

This may result in the peripheral device on the bus detecting an address change when write/read is initiated. The bus capacitance and signal delay on the address and control lines can affect the probability of invalid detection.

Work around

Do one of the following:

- Use a latch based on the falling edge of ALE to hold the A<19:16> signals.
- Add a delay circuit to extend the valid time for A<19:16> signals to ensure the address is valid until read/write signals go inactive.

Date Codes that pertain to this issue:

All engineering and production devices.

PIC18F87J10 FAMILY

4. Module: Timer1

In 16-Bit Asynchronous Counter mode (with or without use of the Timer1 oscillator), the TMR1H and TMR3H buffers do not update when TMRxL is read.

This issue only affects reading the TMRxH registers. The timers increment and set the interrupt flags as expected and the Timer registers can be written as expected.

Work around

1. Use 8-bit mode by clearing the RD16 bit (T1CON<7>).
2. Use the internal clock synchronization option by clearing the T1SYNC bit (T1CON<2>).

Date Codes that pertain to this issue:

All engineering and production devices.

5. Module: Master Synchronous Serial Port (MSSP)

In SPI mode, the following bits are not reset upon disabling the SPI module (by clearing the SSPEN bit in SSPxCON1 register):

- Buffer Full bit – BF in SSPxSTAT register
- Write Collision Detect bit – WCOL in SSPxCON1
- Receive Overflow Indicator bit – SSPOV in SSPxCON1

For example, if SSPxBUF is full (BF bit is set) and the MSSP module is disabled and re-enabled, the BF bit will remain set. In SPI Slave mode, that can mean:

- A subsequent write to SSPxBUF will result in a write collision
- A new byte will cause a receive overflow

Work around

Before disabling the MSSP module, ensure that:

- WCOL is clear
- If the buffer is full, SSPxBUF is read (thus clearing the BF flag)
- If the module was configured in SPI Slave mode, the SSPOV bit is clear

Date Codes that pertain to this issue:

All engineering and production devices.

6. Module: Master Synchronous Serial Port (MSSP)

In its current implementation, the Baud Rate Generator for I²C™ in Master mode is slower than the rates specified in Table 19-3 of the Device Data Sheet.

For this revision of silicon:

- For the I²C™ clock rates – use the values shown in Table 1 in place of those shown in Table 19-3 of the Device Data Sheet. (The differences are shown in **bold** text.)
- For bit description, SSPM<3:0> = 1000, use the following formula in place of the one shown in Register 18-2 (SSPxCON1) of the Device Data Sheet.

$$\text{SSPADD} = \text{INT}((\text{FCY}/\text{FSCL}) - (\text{FCY}/1.111 \text{ MHz})) - 1$$

Note: The I²C bus is a synchronous protocol, so the accuracy of the bus frequency is not critical.

Date Codes that pertain to this issue:

All engineering and production devices.

TABLE 1: I²C™ CLOCK RATE with BRG

Fosc	Fcy	Fcy * 2	BRG Value	Fscl (2 Rollovers of BRG)
40 MHz	10 MHz	20 MHz	0Eh	400 kHz ⁽¹⁾
40 MHz	10 MHz	20 MHz	15h	312.5 kHz
40 MHz	10 MHz	20 MHz	59h	100 kHz
16 MHz	4 MHz	8 MHz	05h	400 kHz ⁽¹⁾
16 MHz	4 MHz	8 MHz	08h	308 kHz
16 MHz	4 MHz	8 MHz	23h	100 kHz
4 MHz	1 MHz	2 MHz	01h	333 kHz ⁽¹⁾
4 MHz	1 MHz	2 MHz	08h	100 kHz
4 MHz	1 MHz	2 MHz	00h	1 MHz ⁽¹⁾

Note 1: The I²C™ interface does not conform to the 400 kHz I²C specification (which applies to rates greater than 100 kHz) in all details, but may be used with care where higher rates are required by the application.

7. Module: Master Synchronous Serial Port (MSSP)

After an I²C transfer is initiated, the SSPxBUF register may be written for up to 10 T_{CY} before additional writes are blocked. The data transfer may be corrupted if SSPxBUF is written during this time.

The WCOL bit is set any time an SSPxBUF write occurs during a transfer.

Work around

Avoid writing SSPxBUF until the data transfer is complete, indicated by the setting of the SSP1IF bit (PIR1<3>).

Verify the WCOL bit (SSPxCON1<7>) is clear after writing SSPxBUF to ensure any potential transfer in progress is not corrupted.

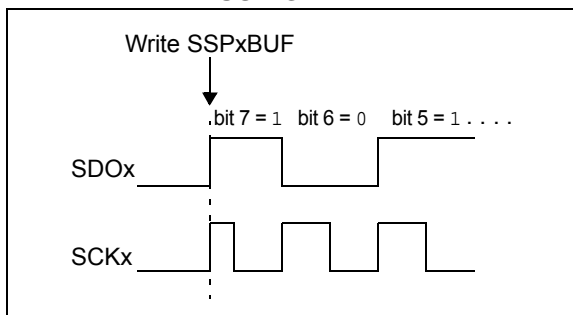
Date Codes that pertain to this issue:

All engineering and production devices.

8. Module: Master Synchronous Serial Port (MSSP)

When the SPI is using Timer2/2 as the clock source, a shorter than expected SCKx pulse may occur on the first bit of the transmitted/received data (see Figure 1).

FIGURE 1: SCKx PULSE VARIATION USING TIMER2/2



Work around

To avoid producing the short pulse:

1. Turn off Timer2.
2. Clear the TMR2 register.
3. Load the SSPxBUF with the data to be transmitted.
4. Turn Timer2 back on.

For sample code, see Example 1.

EXAMPLE 1: AVOIDING THE INITIAL SHORT SCK1 PULSE (FOR MSSP1)

```

LOOP BTFSS SSP1STAT, BF ;Data received?
                                ;(Xmit complete?)
      BRA LOOP ;No
      MOVF SSP1BUF, W ;W = SSPBUF
      MOVWF RXDATA ;Save in user RAM
      MOVF TXDATA, W ;W = TXDATA
      BCF T2CON, TMR2ON ;Timer2 off
      CLRF TMR2 ;Clear Timer2
      MOVWF SSP1BUF ;Xmit New data
      BSF T2CON, TMR2ON ;Timer2 on
    
```

Date Codes that pertain to this issue:

All engineering and production devices.

9. Module: Master Synchronous Serial Port (MSSP)

In SPI mode, the SDOx output may change after the inactive clock edge of the bit '0' output. This may affect some SPI components that read data more than 300 ns after the inactive edge of SCKx.

Work around

None.

Date Codes that pertain to this issue:

All engineering and production devices.

10. Module: Master Synchronous Serial Port (MSSP)

When the MSSP peripherals are configured for SPI mode, the Buffer Full bit, BF (SSPxSTAT<0>) should *not* be polled in software to determine when the transfer is complete.

Work around

Do one of the following:

- Copy the SSPxSTAT register into a variable and perform the bit test on the variable. (Example 2 copies SSP1STAT into the working register where the bit test is performed.)

EXAMPLE 2: Master Synchronous Serial Port (MSSP1)

```

loop_MSB:
      MOVF SSP1STAT, W
      BTFSS WREG, BF
      BRA loop_MSB
    
```

- Poll the Master Synchronous Serial Port Interrupt Flag bit, SSP1IF (PIR1<3>). This bit can be polled and will set when the transfer is complete.

Date Codes that pertain to this issue:

All engineering and production devices.

PIC18F87J10 FAMILY

11. Module: Enhanced Universal Synchronous Asynchronous Receiver Transmitter (EUSART)

In rare situations, one or more extra zero bytes have been observed in a packet transmitted by the module operating in Asynchronous mode. The actual data is not lost or corrupted; only unwanted (extra) zero bytes are observed in the packet.

This situation has only been observed when the contents of the transmit buffer, TXREGx, are transferred to the TSR during the transmission of a Stop bit. For this to occur, three things must happen in the same instruction cycle:

- The TXREGx is written to
- The baud rate counter overflows (at the end of the bit period)
- A Stop bit is transmitted (shifted out of TSR)

Work around

If possible, do not use the module's double-buffer capability. Instead, load the TXREGx register when the TRMT bit (TXSTAx<1>) is set, indicating the TSR is empty.

If double-buffering is used and back-to-back transmission is performed, load TXREGx immediately after TXxIF is set or wait 1-bit time after TXxIF is set. Both solutions prevent writing TXREGx while a Stop bit is transmitted. Note that TXxIF is set at the beginning of the Stop bit transmission.

If transmission is intermittent, do one of the following:

- Wait for the TRMT bit to be set before loading TXREGx.
- Execute the following:
 - Use a free timer resource to time the baud period.
 - Set up the timer to overflow at the end of Stop bit.
 - Start the timer when you load the TXREGx.
 - Do *not* load the TXREGx when the timer is about to overflow.

Date Codes that pertain to this issue:

All engineering and production devices.

12. Module: Enhanced Universal Synchronous Asynchronous Receiver Transmitter (EUSART)

In 9-Bit Asynchronous Full-Duplex Receive mode, the received data may be corrupted if the TX9D bit (TXSTAx<0>) is not modified immediately after the RCIDL bit (BAUDCONx<6>) is set.

Work around

Write to TX9D only when a reception is not in progress (RCIDL = 1). Since there is no interrupt associated with RCIDL, it must be polled in software to determine when TX9D can be updated.

Date Codes that pertain to this issue:

All engineering and production devices.

13. Module: Enhanced Universal Synchronous Asynchronous Receiver Transmitter (EUSART)

After the last received byte has been read from the EUSART Receive Buffer (RCREGx), the value is no longer valid for subsequent read operations.

Work around

The RCREGx register should be read only once for each byte received. After each byte is received from the EUSART, store the byte into a user variable.

To determine when a byte is available to read from RCREGx, do one of the following:

- Poll the RCIDL bit (BAUDCONx<6>) for a low-to-high transition
- Use the EUSART Receive Interrupt Flag, RC1IF (PIR1<5>)

Date Codes that pertain to this issue:

All engineering and production devices.

14. Module: Enhanced Universal Synchronous Asynchronous Receiver Transmitter (EUSART)

With the auto-wake-up option enabled by setting the WUE bit (BAUDCONx<1>), the RC1IF bit (PIR1<5>) will become set on a high-to-low transition on the RXx pin. While the WUE bit is set, reading the receive buffer (RCREGx) will not clear the RCxIF interrupt flag.

Because of this, RCxIF cannot be automatically cleared by reading RCREGx until the WUE bit is cleared.

Note: RCxIF can only be cleared by reading RCREGx

Work around

Do the following:

1. Poll either the WUE bit or the RXx pin.
2. When WUE is clear or RXx is high, read RCREGx.

Step 2 clears RCxIF.

Date Codes that pertain to this issue:

All engineering and production devices.

15. Module: 10-Bit Analog-to-Digital (A/D) Converter

When the A/D conversion clock is selected to be either $F_{osc}/64$, $F_{osc}/32$ or $F_{osc}/16$, the $\overline{GO/DONE}$ bit cannot be set for a second conversion without first selecting (temporarily) the RC oscillator as the A/D conversion clock.

The A/D functions normally with the A/D conversion clock settings of $F_{osc}/2$, $F_{osc}/4$ and FRC.

Work around

For A/D conversion clock settings of $F_{osc}/64$, $F_{osc}/32$ or $F_{osc}/16$, perform the work around shown in Example 3 prior to setting the $\overline{GO/DONE}$ bit for subsequent conversions.

It is recommended that this code be inserted immediately after the A/D result has been read from the previous conversion.

Date Codes that pertain to this issue:

All engineering and production devices.

EXAMPLE 3:

```
MOVWF  ADCON2, W           ;copy the value of ADCON2 to WREG
BSF     ADCON2, ADCS0      ;temporarily select RC oscillator as clock
BSF     ADCON2, ADCS1
MOVWF   ADCON2             ;restore ADCON2 to original value
```

PIC18F87J10 FAMILY

16. Module: 10-Bit Analog-to-Digital (A/D) Converter

When $F_{osc}/8$ is selected as the A/D conversion clock, A/D conversion will not be performed.

Work around

None.

Date Codes that pertain to this issue:

All engineering and production devices.

17. Module: Master Synchronous Serial Port (MSSP)

In extremely rare cases, when configured for I²C slave reception, the MSSP module may not receive the correct data. This occurs only if the Serial Receive/Transmit Buffer Register (SSPxBUF) is not read within a window after the SSPxIF interrupt has occurred.

Work around

The issue can be resolved in either of these ways:

- Prior to the I²C slave reception, enable the clock stretching feature. This is done by setting the SEN bit (SSPxCON2<0>).
- Each time the SSPxIF is set, read the SSPxBUF before the first rising clock edge of the next byte being received.

18. Module: I/O Ports

During a Power-on Reset, the PORTJ pins will not behave as high-impedance pins.

For the Power-up Timer period (approximately 65.6 ms), PORTJ pins may be driven high or low.

Work around

None.

REVISION HISTORY

Rev A Document (8/2007)

First release of this document. Includes silicon issues 1 (Flash Program Memory), 2-3 (External Memory Bus), 4 (Timer1), 5-10 (MSSP), 11-14 EUSART and 15-16 (10-Bit A/D Converter).

Rev B Document (7/2010)

Added silicon issues 17 (Master Synchronous Serial Port – MSSP) and 18 (I/O Ports).

PIC18F87J10 FAMILY

NOTES:

Note the following details of the code protection feature on Microchip devices:

- Microchip products meet the specification contained in their particular Microchip Data Sheet.
- Microchip believes that its family of products is one of the most secure families of its kind on the market today, when used in the intended manner and under normal conditions.
- There are dishonest and possibly illegal methods used to breach the code protection feature. All of these methods, to our knowledge, require using the Microchip products in a manner outside the operating specifications contained in Microchip's Data Sheets. Most likely, the person doing so is engaged in theft of intellectual property.
- Microchip is willing to work with the customer who is concerned about the integrity of their code.
- Neither Microchip nor any other semiconductor manufacturer can guarantee the security of their code. Code protection does not mean that we are guaranteeing the product as "unbreakable."

Code protection is constantly evolving. We at Microchip are committed to continuously improving the code protection features of our products. Attempts to break Microchip's code protection feature may be a violation of the Digital Millennium Copyright Act. If such acts allow unauthorized access to your software or other copyrighted work, you may have a right to sue for relief under that Act.

Information contained in this publication regarding device applications and the like is provided only for your convenience and may be superseded by updates. It is your responsibility to ensure that your application meets with your specifications. MICROCHIP MAKES NO REPRESENTATIONS OR WARRANTIES OF ANY KIND WHETHER EXPRESS OR IMPLIED, WRITTEN OR ORAL, STATUTORY OR OTHERWISE, RELATED TO THE INFORMATION, INCLUDING BUT NOT LIMITED TO ITS CONDITION, QUALITY, PERFORMANCE, MERCHANTABILITY OR FITNESS FOR PURPOSE. Microchip disclaims all liability arising from this information and its use. Use of Microchip devices in life support and/or safety applications is entirely at the buyer's risk, and the buyer agrees to defend, indemnify and hold harmless Microchip from any and all damages, claims, suits, or expenses resulting from such use. No licenses are conveyed, implicitly or otherwise, under any Microchip intellectual property rights.

Trademarks

The Microchip name and logo, the Microchip logo, dsPIC, KEELOQ, KEELOQ logo, MPLAB, PIC, PICmicro, PICSTART, PIC³² logo, rPIC and UNI/O are registered trademarks of Microchip Technology Incorporated in the U.S.A. and other countries.

FilterLab, Hampshire, HI-TECH C, Linear Active Thermistor, MXDEV, MXLAB, SEEVAL and The Embedded Control Solutions Company are registered trademarks of Microchip Technology Incorporated in the U.S.A.

Analog-for-the-Digital Age, Application Maestro, CodeGuard, dsPICDEM, dsPICDEM.net, dsPICworks, dsSPEAK, ECAN, ECONOMONITOR, FanSense, HI-TIDE, In-Circuit Serial Programming, ICSP, Mindi, MiWi, MPASM, MPLAB Certified logo, MPLIB, MPLINK, mTouch, Octopus, Omniscient Code Generation, PICC, PICC-18, PICDEM, PICDEM.net, PICkit, PICTail, REAL ICE, rLAB, Select Mode, Total Endurance, TSHARC, UniWinDriver, WiperLock and ZENA are trademarks of Microchip Technology Incorporated in the U.S.A. and other countries.

SQTP is a service mark of Microchip Technology Incorporated in the U.S.A.

All other trademarks mentioned herein are property of their respective companies.

© 2010, Microchip Technology Incorporated, Printed in the U.S.A., All Rights Reserved.

 Printed on recycled paper.

ISBN:

Microchip received ISO/TS-16949:2002 certification for its worldwide headquarters, design and wafer fabrication facilities in Chandler and Tempe, Arizona; Gresham, Oregon and design centers in California and India. The Company's quality system processes and procedures are for its PIC® MCUs and dsPIC® DSCs, KEELOQ® code hopping devices, Serial EEPROMs, microperipherals, nonvolatile memory and analog products. In addition, Microchip's quality system for the design and manufacture of development systems is ISO 9001:2000 certified.

**QUALITY MANAGEMENT SYSTEM
CERTIFIED BY DNV
== ISO/TS 16949:2002 ==**



WORLDWIDE SALES AND SERVICE

AMERICAS

Corporate Office
2355 West Chandler Blvd.
Chandler, AZ 85224-6199
Tel: 480-792-7200
Fax: 480-792-7277
Technical Support:
<http://support.microchip.com>
Web Address:
www.microchip.com

Atlanta
Duluth, GA
Tel: 678-957-9614
Fax: 678-957-1455

Boston
Westborough, MA
Tel: 774-760-0087
Fax: 774-760-0088

Chicago
Itasca, IL
Tel: 630-285-0071
Fax: 630-285-0075

Cleveland
Independence, OH
Tel: 216-447-0464
Fax: 216-447-0643

Dallas
Addison, TX
Tel: 972-818-7423
Fax: 972-818-2924

Detroit
Farmington Hills, MI
Tel: 248-538-2250
Fax: 248-538-2260

Kokomo
Kokomo, IN
Tel: 765-864-8360
Fax: 765-864-8387

Los Angeles
Mission Viejo, CA
Tel: 949-462-9523
Fax: 949-462-9608

Santa Clara
Santa Clara, CA
Tel: 408-961-6444
Fax: 408-961-6445

Toronto
Mississauga, Ontario,
Canada
Tel: 905-673-0699
Fax: 905-673-6509

ASIA/PACIFIC

Asia Pacific Office
Suites 3707-14, 37th Floor
Tower 6, The Gateway
Harbour City, Kowloon
Hong Kong
Tel: 852-2401-1200
Fax: 852-2401-3431

Australia - Sydney
Tel: 61-2-9868-6733
Fax: 61-2-9868-6755

China - Beijing
Tel: 86-10-8528-2100
Fax: 86-10-8528-2104

China - Chengdu
Tel: 86-28-8665-5511
Fax: 86-28-8665-7889

China - Chongqing
Tel: 86-23-8980-9588
Fax: 86-23-8980-9500

China - Hong Kong SAR
Tel: 852-2401-1200
Fax: 852-2401-3431

China - Nanjing
Tel: 86-25-8473-2460
Fax: 86-25-8473-2470

China - Qingdao
Tel: 86-532-8502-7355
Fax: 86-532-8502-7205

China - Shanghai
Tel: 86-21-5407-5533
Fax: 86-21-5407-5066

China - Shenyang
Tel: 86-24-2334-2829
Fax: 86-24-2334-2393

China - Shenzhen
Tel: 86-755-8203-2660
Fax: 86-755-8203-1760

China - Wuhan
Tel: 86-27-5980-5300
Fax: 86-27-5980-5118

China - Xian
Tel: 86-29-8833-7252
Fax: 86-29-8833-7256

China - Xiamen
Tel: 86-592-2388138
Fax: 86-592-2388130

China - Zhuhai
Tel: 86-756-3210040
Fax: 86-756-3210049

ASIA/PACIFIC

India - Bangalore
Tel: 91-80-3090-4444
Fax: 91-80-3090-4123

India - New Delhi
Tel: 91-11-4160-8631
Fax: 91-11-4160-8632

India - Pune
Tel: 91-20-2566-1512
Fax: 91-20-2566-1513

Japan - Yokohama
Tel: 81-45-471- 6166
Fax: 81-45-471-6122

Korea - Daegu
Tel: 82-53-744-4301
Fax: 82-53-744-4302

Korea - Seoul
Tel: 82-2-554-7200
Fax: 82-2-558-5932 or
82-2-558-5934

Malaysia - Kuala Lumpur
Tel: 60-3-6201-9857
Fax: 60-3-6201-9859

Malaysia - Penang
Tel: 60-4-227-8870
Fax: 60-4-227-4068

Philippines - Manila
Tel: 63-2-634-9065
Fax: 63-2-634-9069

Singapore
Tel: 65-6334-8870
Fax: 65-6334-8850

Taiwan - Hsin Chu
Tel: 886-3-6578-300
Fax: 886-3-6578-370

Taiwan - Kaohsiung
Tel: 886-7-213-7830
Fax: 886-7-330-9305

Taiwan - Taipei
Tel: 886-2-2500-6610
Fax: 886-2-2508-0102

Thailand - Bangkok
Tel: 66-2-694-1351
Fax: 66-2-694-1350

EUROPE

Austria - Wels
Tel: 43-7242-2244-39
Fax: 43-7242-2244-393

Denmark - Copenhagen
Tel: 45-4450-2828
Fax: 45-4485-2829

France - Paris
Tel: 33-1-69-53-63-20
Fax: 33-1-69-30-90-79

Germany - Munich
Tel: 49-89-627-144-0
Fax: 49-89-627-144-44

Italy - Milan
Tel: 39-0331-742611
Fax: 39-0331-466781

Netherlands - Drunen
Tel: 31-416-690399
Fax: 31-416-690340

Spain - Madrid
Tel: 34-91-708-08-90
Fax: 34-91-708-08-91

UK - Wokingham
Tel: 44-118-921-5869
Fax: 44-118-921-5820