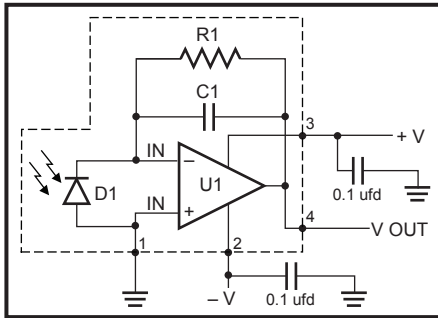


FEATURES

- Large active area
- Low noise
- High sensitivity
- Custom gains available
- Hermetically sealed TO-39



ELECTRO-OPTICAL CHARACTERISTICS AT 23°C

| PARAMETERS | TEST CONDITIONS | MIN | TYP | MAX | UNITS |
|----------------------------|---|-----|------|-----------|-------------------|
| Dark Offset | $V_s = \pm 15\text{ V}$ | | | ± 1.0 | mV |
| Dark Offset Noise | $V_s = \pm 15$ BW = 0.1 to 800 kHz | | 477 | 1000 | $\mu\text{V rms}$ |
| Sensitivity | $V_s = \pm 15$ $\lambda = 940\text{ nm}$ | 55 | 63 | | V/mW |
| Frequency Response (-3 db) | $V_s = \pm 15$ $\lambda = 940\text{ nm}$ | 500 | 800 | | kHz |
| NEP | $\lambda = 940\text{ nm}$ | | 6.76 | | pW/√Hz |
| Transimpedance Gain | | | 100 | | kΩ |
| Supply Current | $V_s = \pm 15\text{ V}$ | | 6.2 | 7.5 | mA |

THERMAL PARAMETERS

| | |
|---|------------------------------------|
| Voltage Supplies | $\pm 5\text{ to } \pm 15\text{ V}$ |
| Power Dissipation | 225 mW |
| Storage and Operating Temperature | -25° to +100° C |
| Soldering Temperature (1/16" from case for 3 seconds max) | +260° C |



750 Mitchell Road, Newbury Park, California 91320
 Phone: (805) 499-0335, Fax: (805) 499-8108
 Email: sales@optodiode.com, Website: www.optodiode.com

