

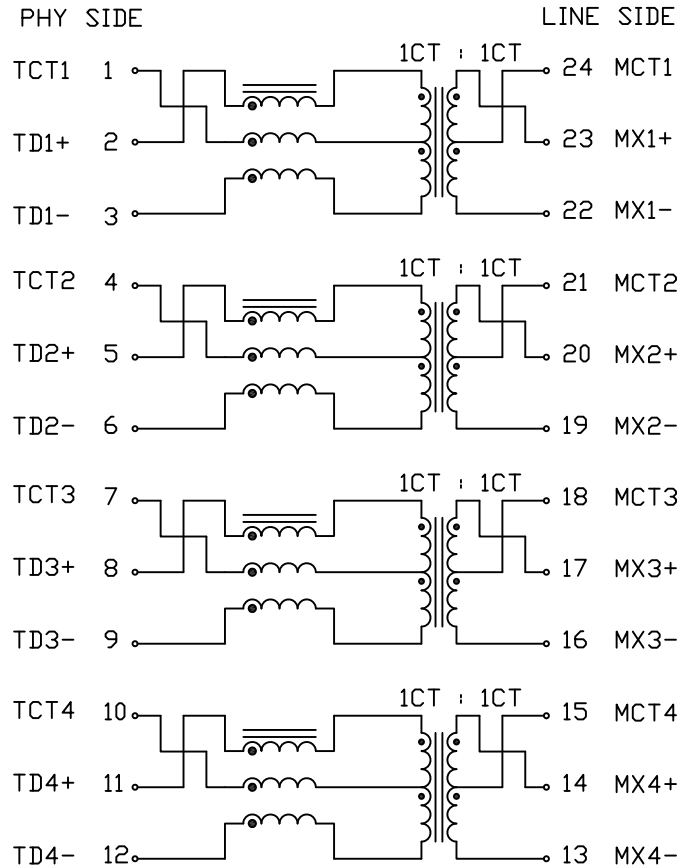
THE INFORMATION CONTAINED HEREIN IS CONSIDERED 'PROPRIETARY' TO BEL FUSE INC. AND SHALL NOT BE COPIED, REPRODUCED OR DISCLOSED WITHOUT THE WRITTEN APPROVAL OF BEL FUSE INC.

PRELIMINARY

ELECTRICAL CHARACTERISTICS @25°C



SCHEMATIC



TURNS RATIO
 (2-1-3) : (23-24-22)
 (5-4-6) : (20-21-19)
 (8-7-9) : (17-18-16)
 (11-10-12) : (14-15-13)

1CT : 1CT ±2%
 1CT : 1CT ±2%
 1CT : 1CT ±2%
 1CT : 1CT ±2%

POLARITY
 DCL

PER DOT CONVENTION

100kHz, 100mV
 180uH MIN WITH 8mA DC BIAS
 120uH MIN WITH 19mA DC BIAS

RETURN LOSS
 1MHz-100MHz
 100MHz-300MHz

-20 dB Min
 -20+16LOG(f/100MHz) dB MIN

HIPOT (Isolation Voltage):

2250 VDC

100% OF PRODUCTION TESTED TO COMPLY WITH
 IEEE 802.3 ISOLATION REQUIREMENTS.

NOTE: PORT-TO PORT ISOLATION NOT INCLUDED.
 BALANCED DC LINE CURRENT

720 mA MAX. @ 57 VDC CONTINUOUS
 1.2mA MAX. @ 57 VDC FOR 200 MILLISECONDS

OPERATING TEMPERATURE: -40 TO 85°C

MEETS 5G PERFORMANCE REQUIREMENTS AS PER IEEE 802.3bz

REV. : X PAGE : 2

ORIGINATED BY	DATE
Alice Pang	2016-10-28
DRAWN BY	DATE
JB	2017-08-10

TITLE
ELECTRICAL SPECIFICATION

PART NO. / DRAWING NO.
S558-5500-JV
FILE NAME
S5585500JVPA.DWG

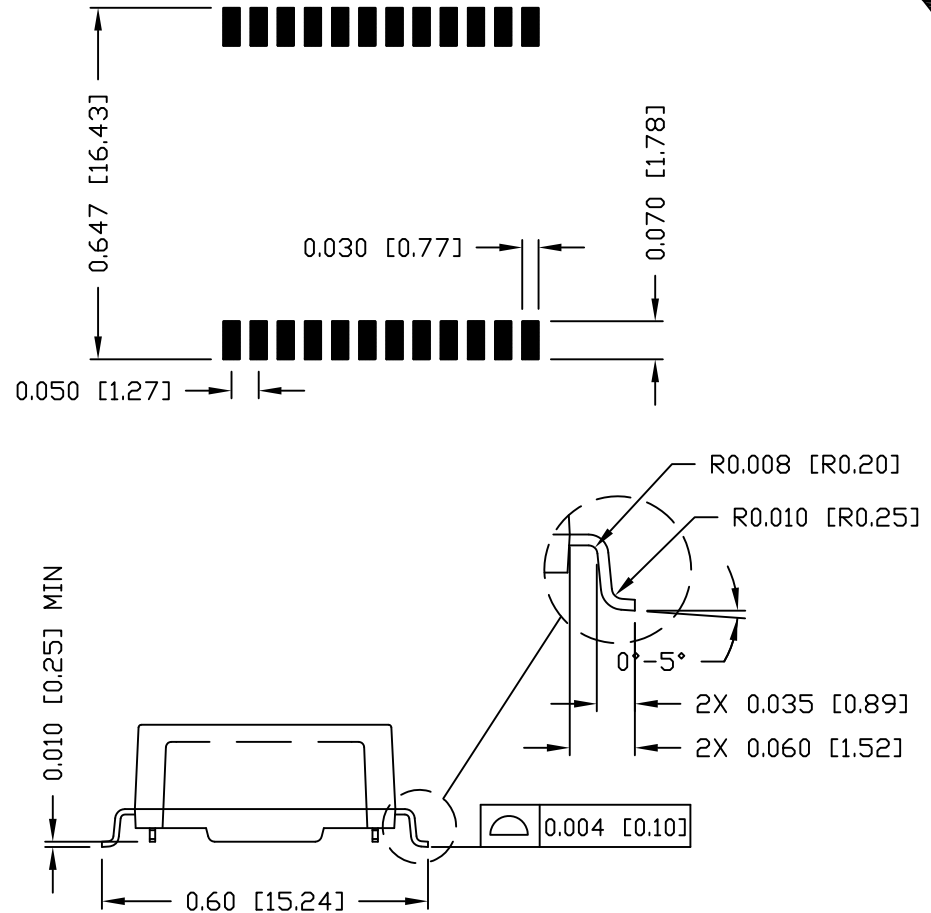
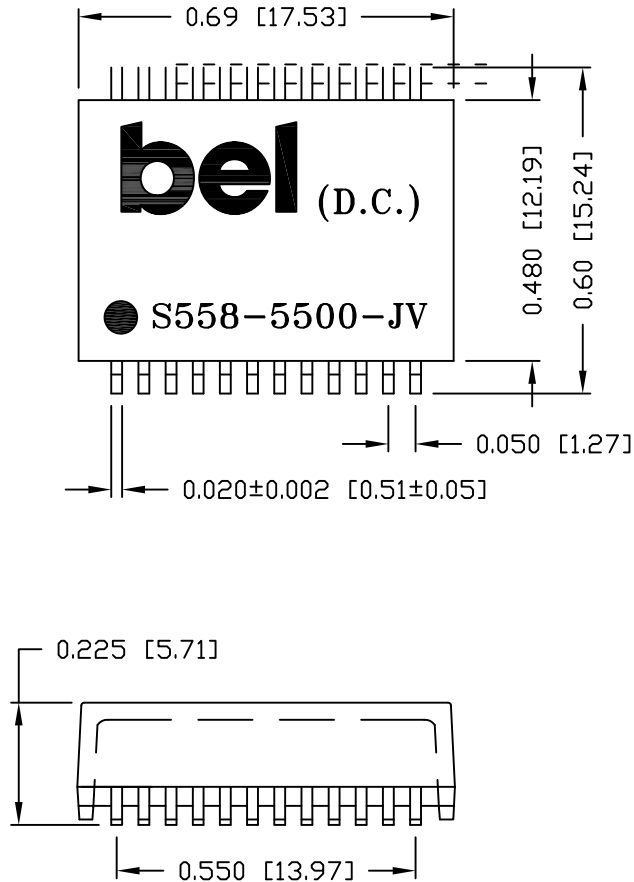
STANDARD DIM.	[] METRIC DIM. AS REF.
TOL. IN INCH	UNIT : INCH [mm]
.X	SCALE : N/A
.XX	SIZE : A4
.XXX	



THE INFORMATION CONTAINED HEREIN IS CONSIDERED "PROPRIETARY" TO BEL FUSE INC. AND SHALL NOT BE COPIED, REPRODUCED OR DISCLOSED WITHOUT THE WRITTEN APPROVAL OF BEL FUSE INC.

PRELIMINARY

SUGGESTED PCB PAD LAYOUT



NOTES:

- STANDARD MARKING REFER TO DOC. HAND-WORK-04.
- PACKAGE CODE: "RQS001".

REV. : PA	PAGE : 3

ORIGINATED BY	DATE	TITLE	PART NO. / DRAWING NO.	STANDARD DIM.		[] METRIC DIM. AS REF.
Lawrence Tsang	2016-10-28		S558-5500-JV	TOL. IN INCH	UNIT : INCH [mm]	
DRAWN BY	DATE		FILE NAME	.X	SCALE : N/A	
ZC Guo	2016-10-28	MECHANICAL OUTLINE	S5585500JVPA.DWG	.XX ±0.01	SIZE : A4	
				.XXX ±0.005		

DC002(2)120214

This document is electronically generated. This is a controlled copy if used internally