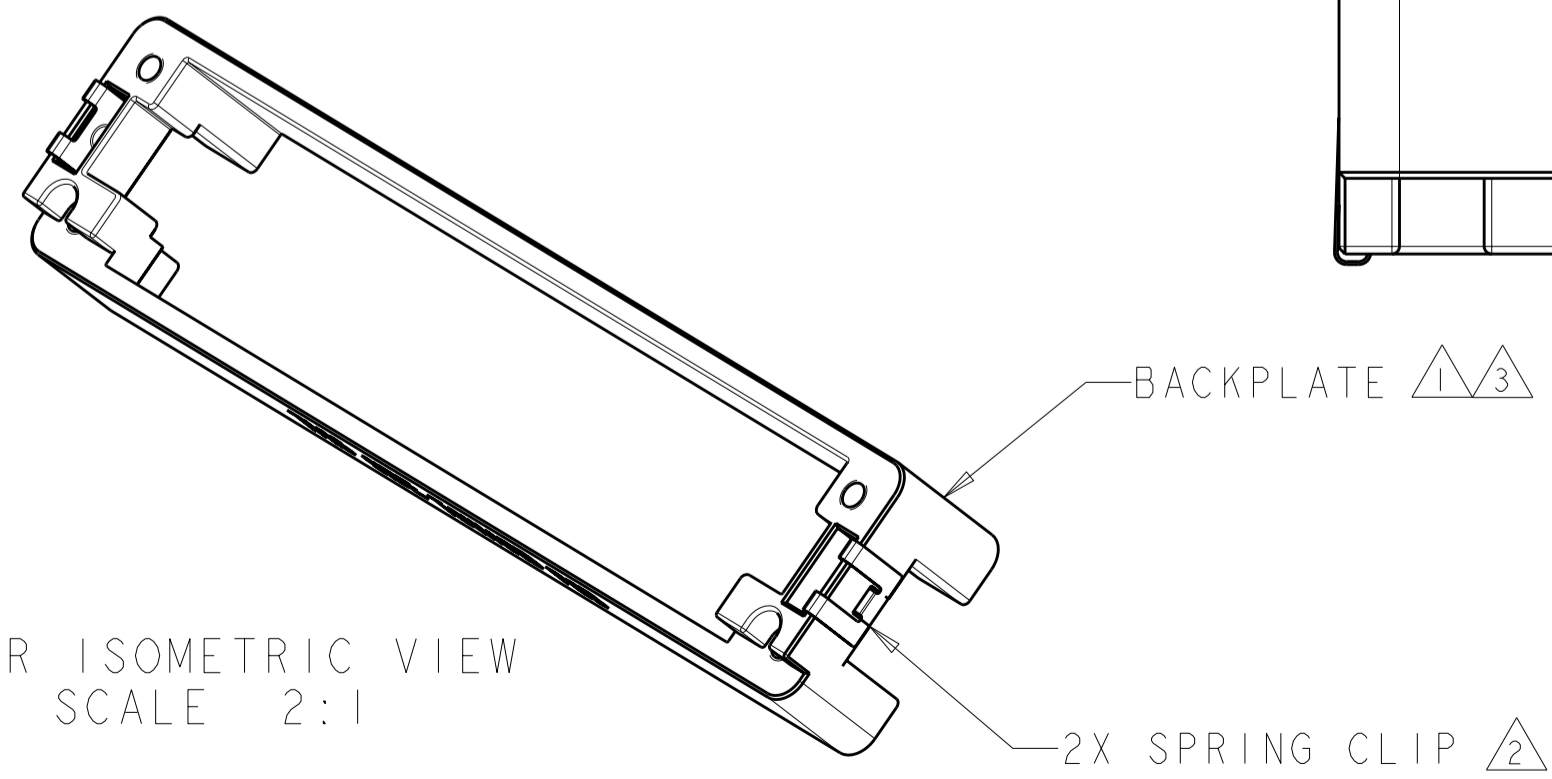
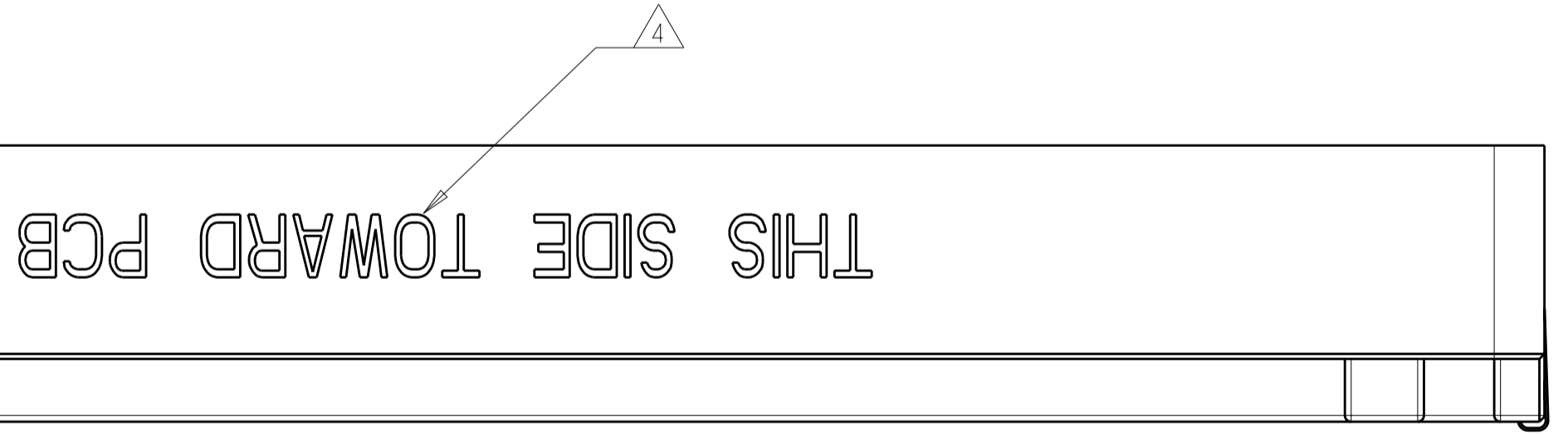
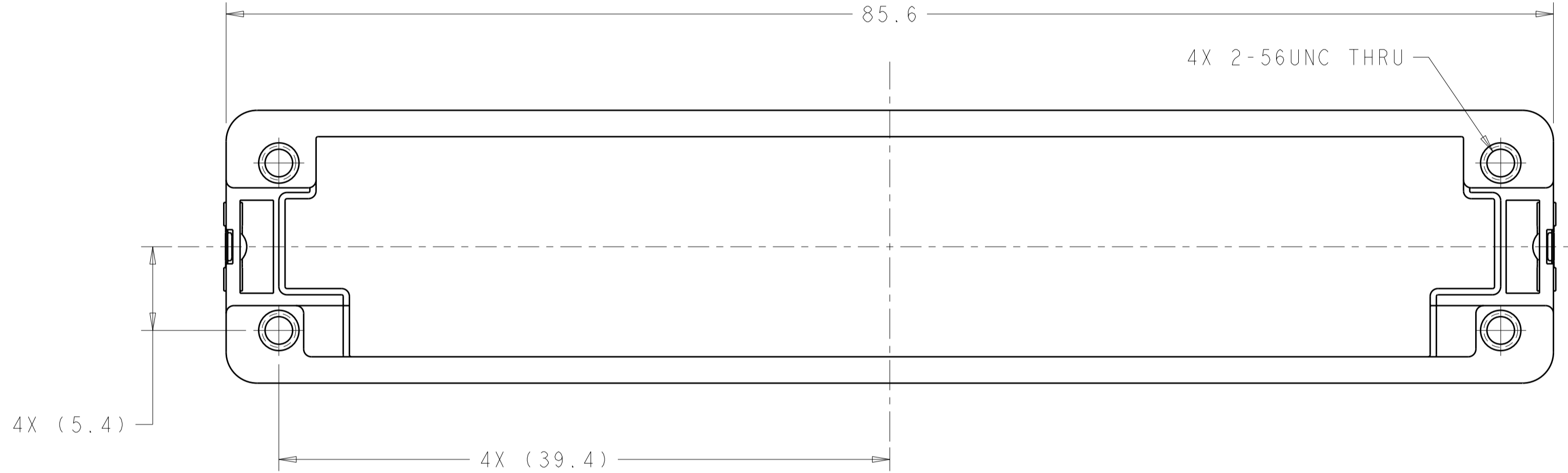
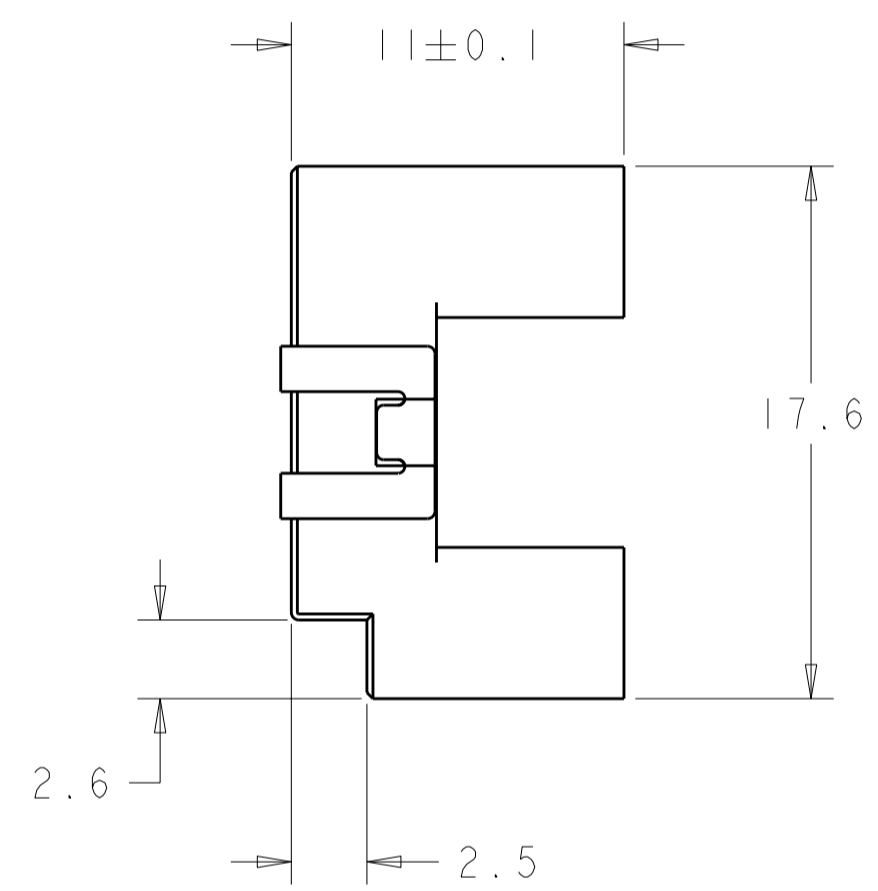


THIS DRAWING IS UNPUBLISHED. RELEASED FOR PUBLICATION 20
 © COPYRIGHT 20 ALL RIGHTS RESERVED.

LOC	DIST	REVISIONS					
GP	00	P	LTR	DESCRIPTION	DATE	DWN	APVD
		A		RELEASED PER ECO-12-006362	14MAY2012	CJV	MRS

- ① ZINC ALLOY PER ASTM B 86. ALLOY AG40A.
- ② STAINLESS STEEL PER ASTM A 666. TYPE 11 OR TYPE 12.
- ③ 1.27µm MIN NICKEL PLATE PER QQ-N-290
OVER 5.08µm MIN COPPER PLATE PER AMS 2418.
- ④ TEXT INDICATES THIS SURFACE OF THE PART IS TO FACE TOWARD PCB.



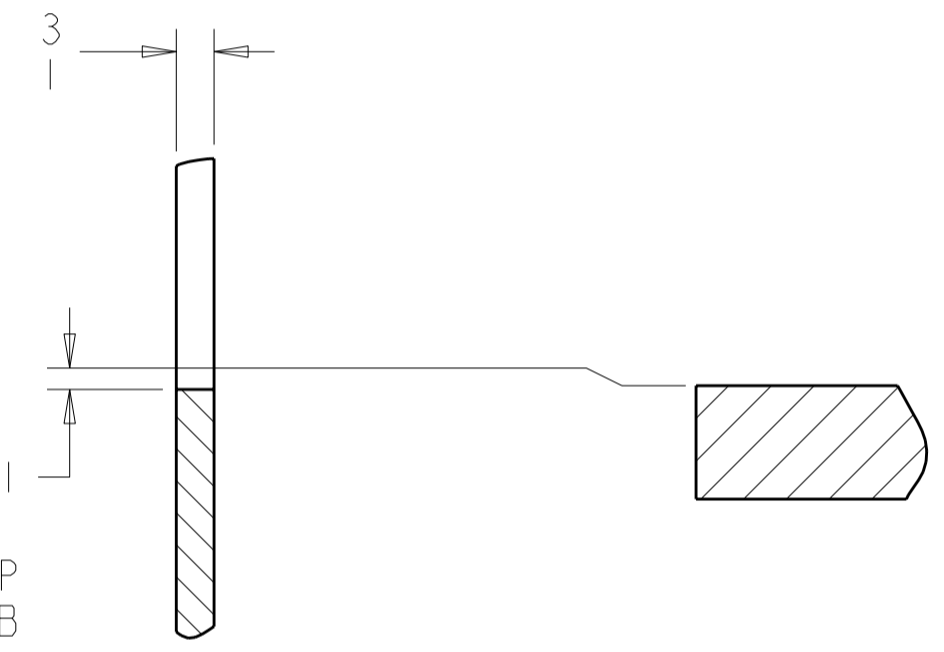
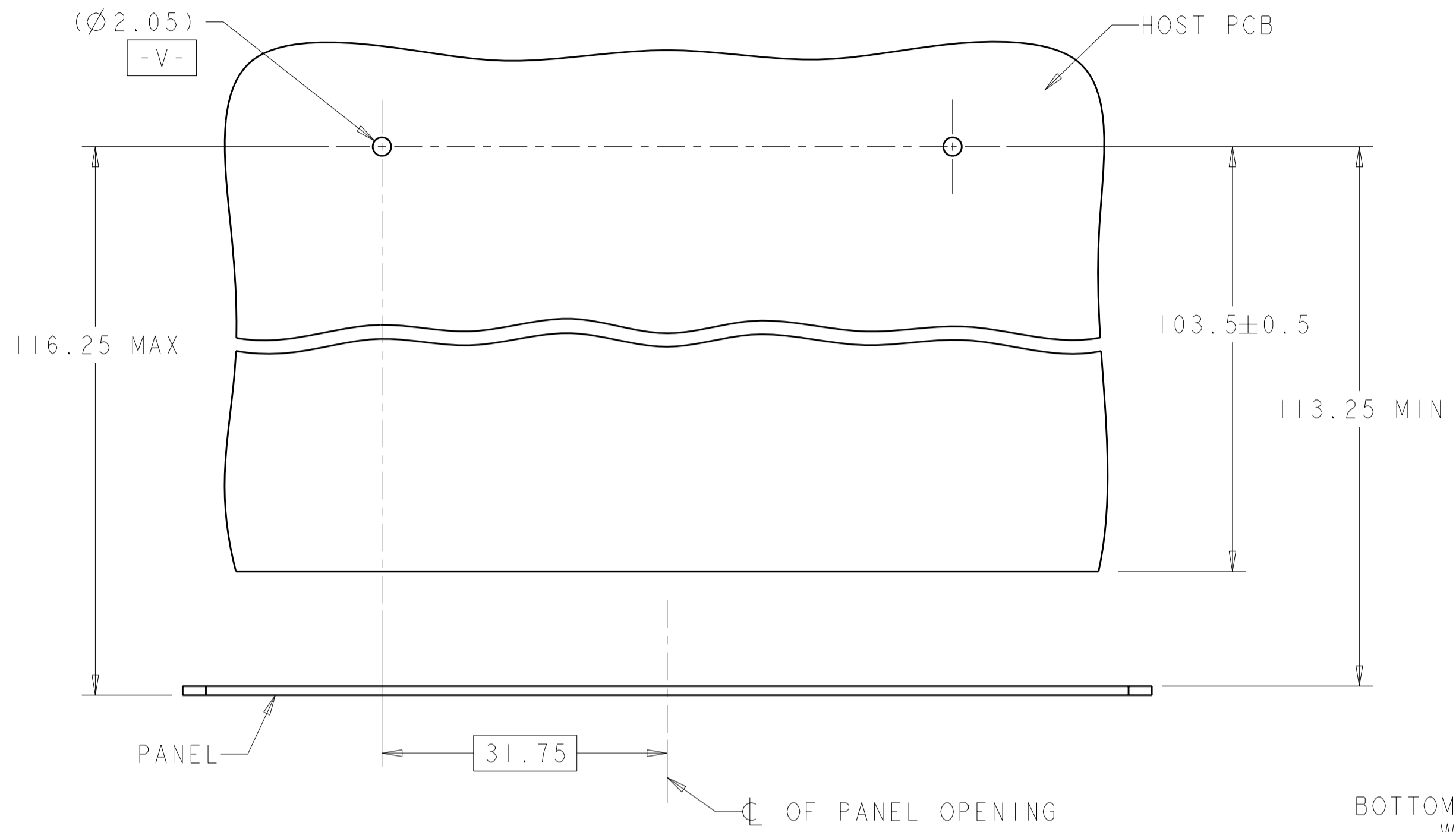
REAR ISOMETRIC VIEW
SCALE 2:1

2057930-1
PART NUMBER

THIS DRAWING IS A CONTROLLED DOCUMENT. DIMENSIONING AND TOLERANCING PER ASME Y14.5M-2009		DWN C. VALENTINE 19DEC2008	TE Connectivity	
DIMENSIONS: mm		CHK E. BRIGHT 19DEC2008		
TOLERANCES UNLESS OTHERWISE SPECIFIED:		APVD E. BRIGHT 19DEC2008	NAME BACKER PLATE ASSEMBLY, 100 GIG PLUGGABLE	
0 PLC ±0.13 1 PLC ±0.1 2 PLC ±0.05 3 PLC ± 4 PLC ±		PRODUCT SPEC 108-2399	SIZE A200779	DRAWING NO C-2057930
MATERIAL		APPLICATION SPEC 114-13263	CAGE CODE C-2057930	RESTRICTED TO
FINISH		WEIGHT	SCALE 4:1	SHEET 1 OF 2
CUSTOMER DRAWING		REV A		

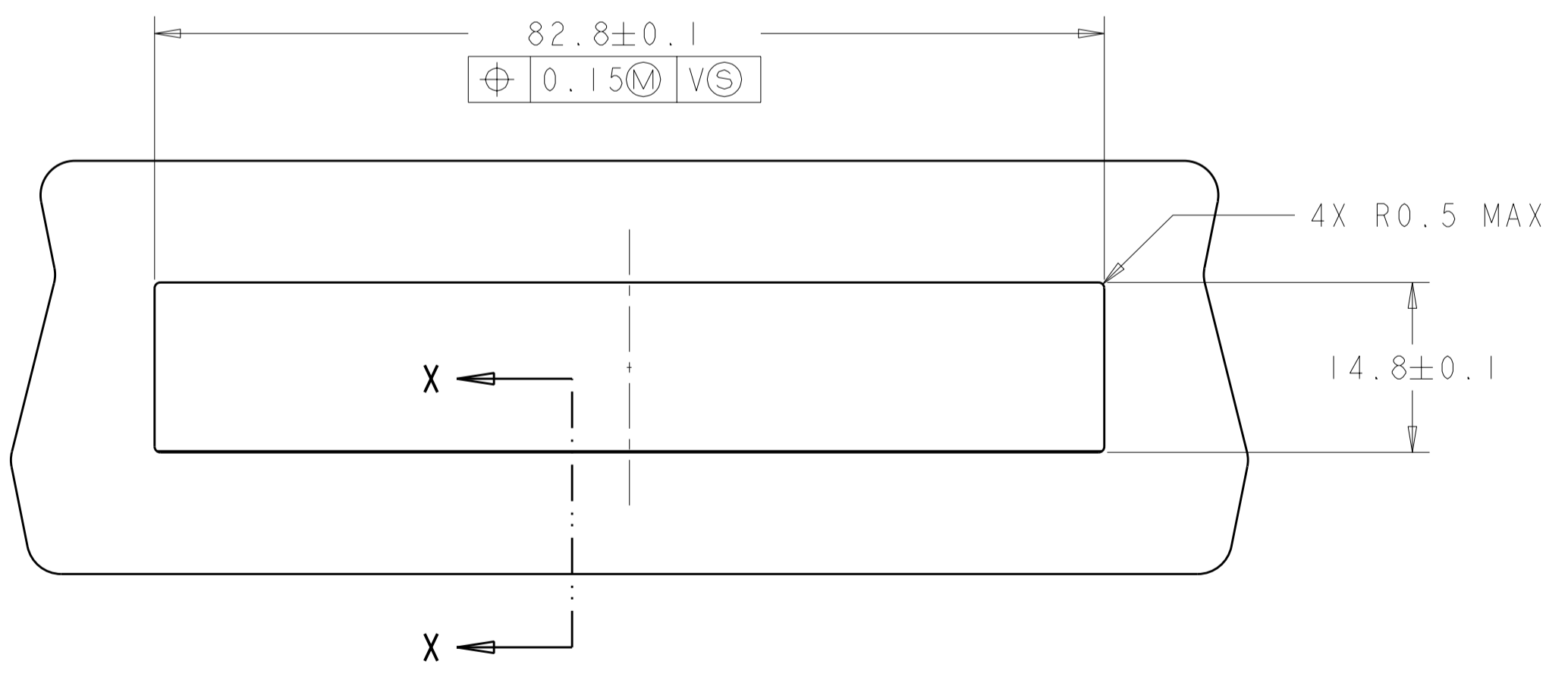
THIS DRAWING IS UNPUBLISHED. RELEASED FOR PUBLICATION 20
 © COPYRIGHT 20 ALL RIGHTS RESERVED.

LOC	DIST	REVISIONS					
GP	00	P	LTR	DESCRIPTION	DATE	DWN	APVD
		-		SEE SHEET 1			



0.1 ± 0.1
 BOTTOM OF PANEL OPENING
 WITH RESPECT TO TOP
 SURFACE OF HOST PCB

SECTION X-X
 SCALE 5:1



RECOMMENDED PANEL OPENING
 AND PANEL LOCATION WITH RESPECT TO HOST PCB
 SCALE 2:1

THIS DRAWING IS A CONTROLLED DOCUMENT. DIMENSIONING AND TOLERANCING PER ASME Y14.5M-2009		DWN C. VALENTINE 19DEC2008	TE Connectivity NAME BACKER PLATE ASSEMBLY, 100 GIG PLUGGABLE	
DIMENSIONS: mm		CHK E. BRIGHT 19DEC2008		
TOLERANCES UNLESS OTHERWISE SPECIFIED:		APVD E. BRIGHT 19DEC2008	PRODUCT SPEC 108-2399	
0 PLC ±0.13	1 PLC ±0.1	APPLICATION SPEC 114-13263	RESTRICTED TO	
2 PLC ±0.05	3 PLC ±	WEIGHT	SIZE A200779	CAGE CODE C-2057930
4 PLC ±	ANGLES ±	CUSTOMER DRAWING	SCALE 4:1	SHEET 2 OF 2
MATERIAL	FINISH		REV A	