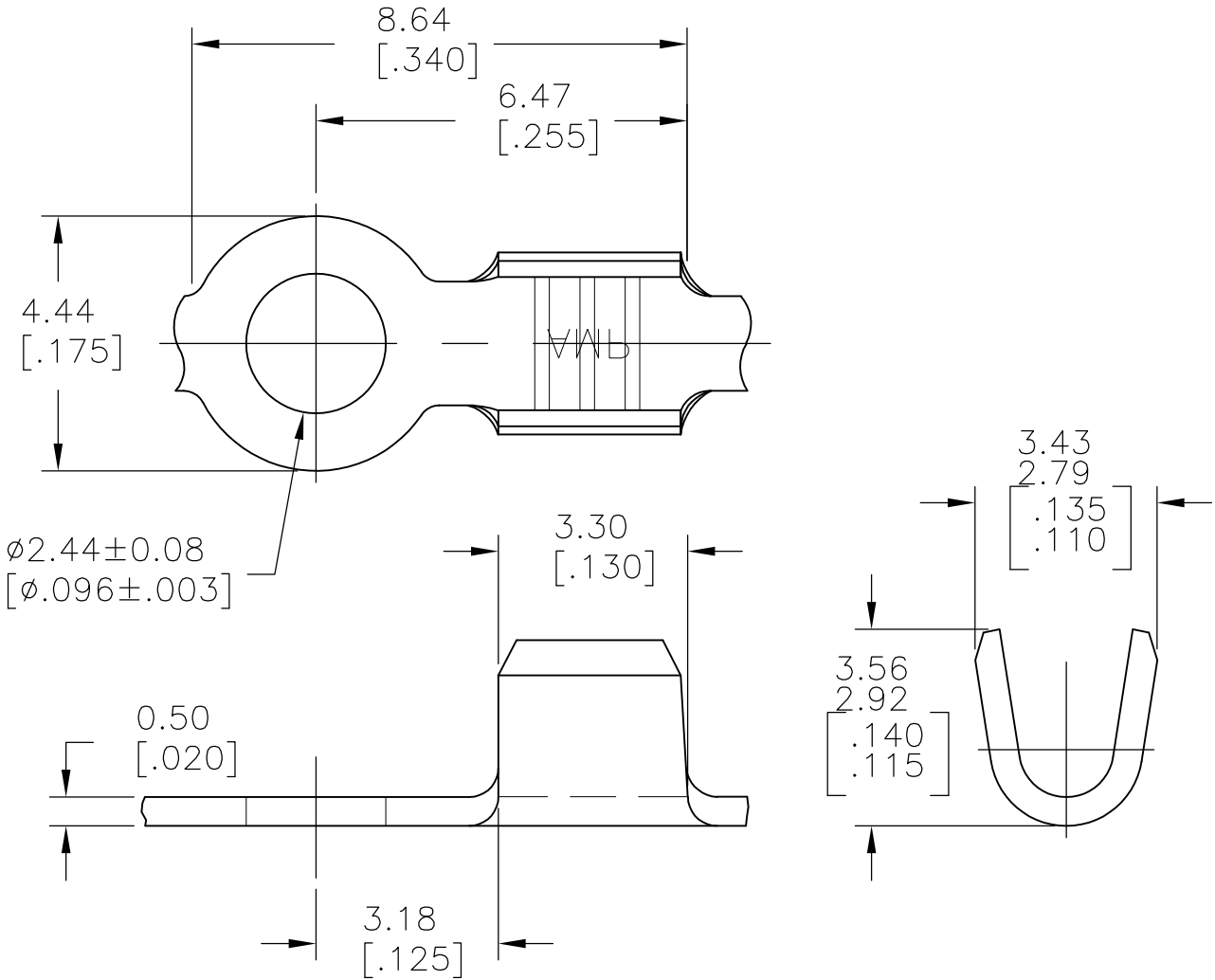


LOC	DIST	REVISIONS					
—	—	P	LTR	DESCRIPTION	DATE	DWN	APVD
		A		REDRAWN PER ECR-10-019776	22OCT10	HMR	PD

- 1 REVERSE REEL FOR ARTOS MACHINE
- 2 CONTINUOUS STRIP, ON REELS
- 3 WIRE SIZE: #20-16 AWG



THIS DRAWING IS UNPUBLISHED.

ALL INTERNATIONAL RIGHTS RESERVED.

COPYRIGHT BY TYCO ELECTRONICS CORPORATION.

40816
PART NUMBER

DIMENSIONS: mm [INCHES]	DWN	22OCT10	MATERIAL	BRASS	FINISH	TIN	
	CHK	22OCT10	Tyco Electronics Corporation Harrisburg, PA 17105-3608				
TOLERANCES UNLESS OTHERWISE SPECIFIED:	APVD	22OCT10	NAME				RING
	PRODUCT SPEC		SIZE	CAGE CODE	DRAWING NO	RESTRICTED TO	
0 PLC ± - 1 PLC ± - 2 PLC ± - 3 PLC ± .015 4 PLC ± - ANGLES ± 1°	APPLICATION SPEC		A4	00779	C-40816	—	
	WEIGHT	—	CUSTOMER DRAWING			SCALE	8:1
						SHEET	1 OF 1
						REV	A