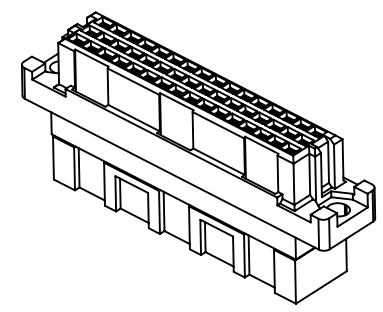
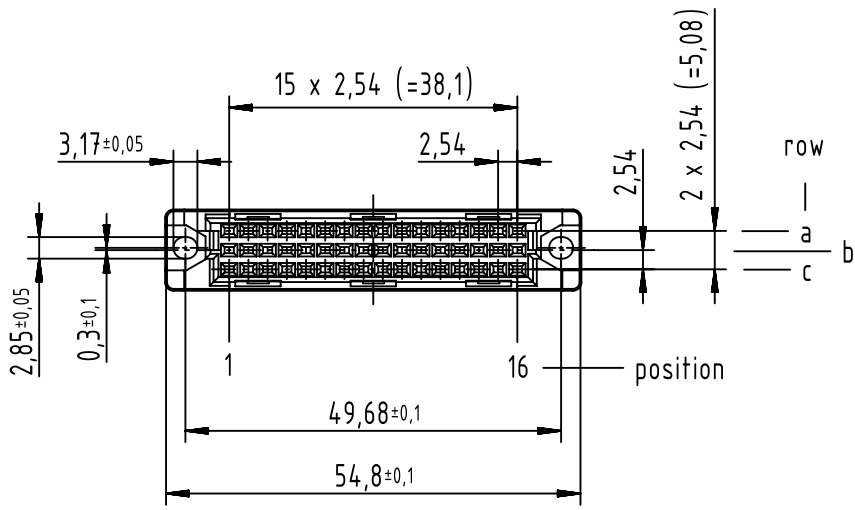



position identification rotated for connection with male type 2R



further information see: DS 09032100801

	All Dimensions in mm Original Size DIN A4		Scale 1:1	Free size tol. complementary IEC 60603-2		Ref. Sub. TB 09 23 048 3217 Mod: 35556 30.08.2010		
	All rights reserved Department EC PD - DE		Created by HASSE	Inspected by JASCHKE	Standardisation HOFFMANN	Date 2015-05-04	State Final Release	
HARTING Electronics GmbH D-32339 Espelkamp			Title DIN Signal type 2C female connector crimp inverse				Doc-Key / ECM-Nr. 100187753/UGD/007/B 500000088827	
			Type TB	Number 09230483217			Rev. B	Page 1/1